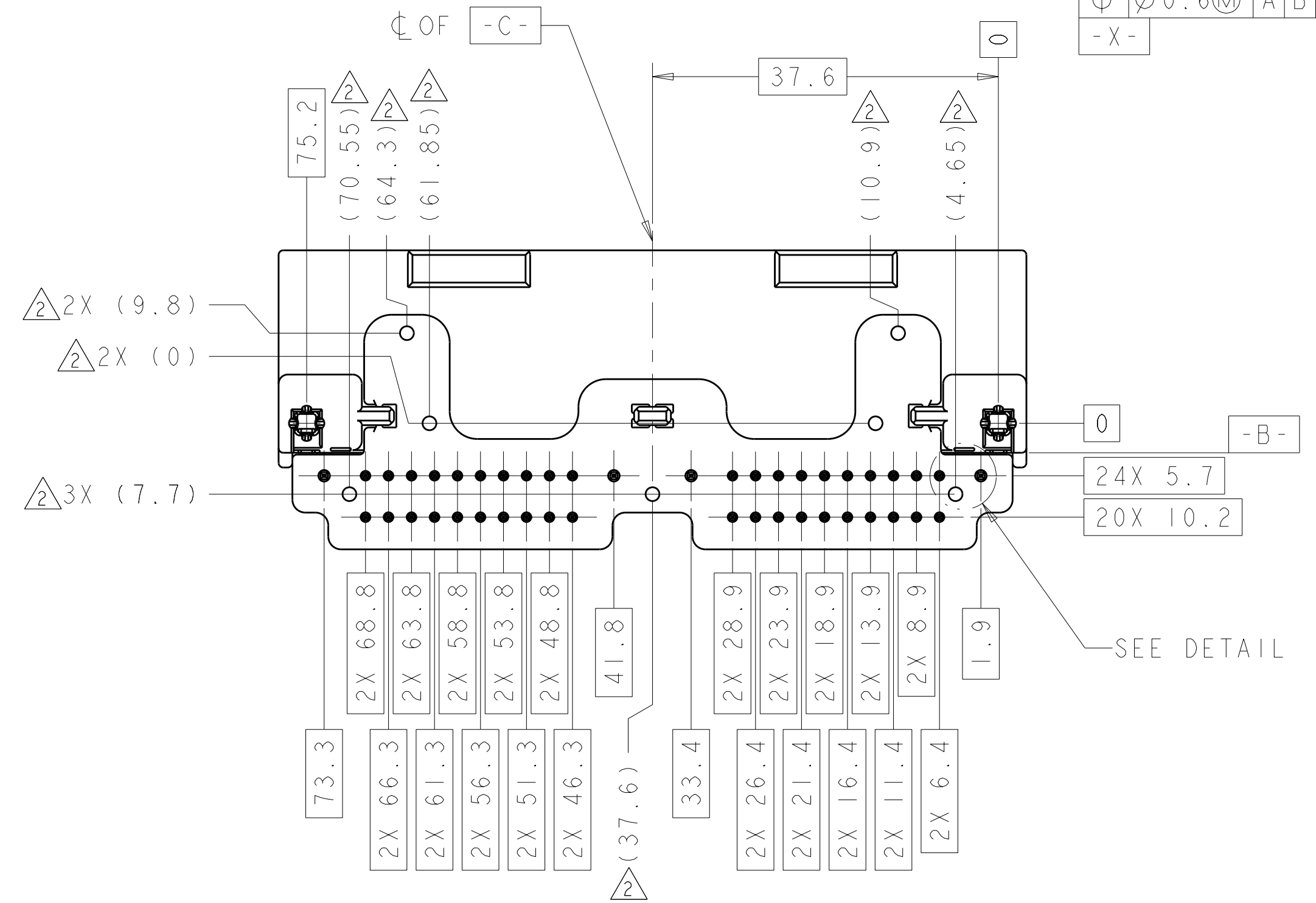
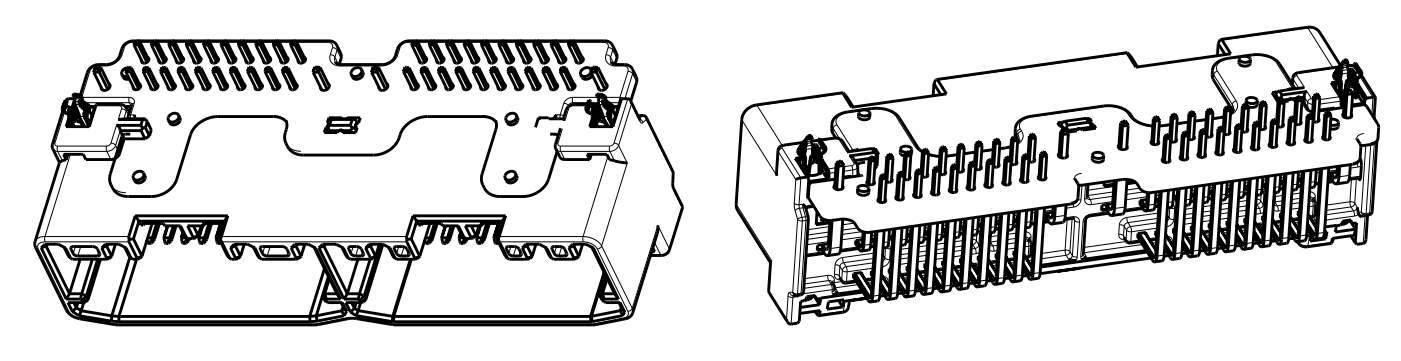
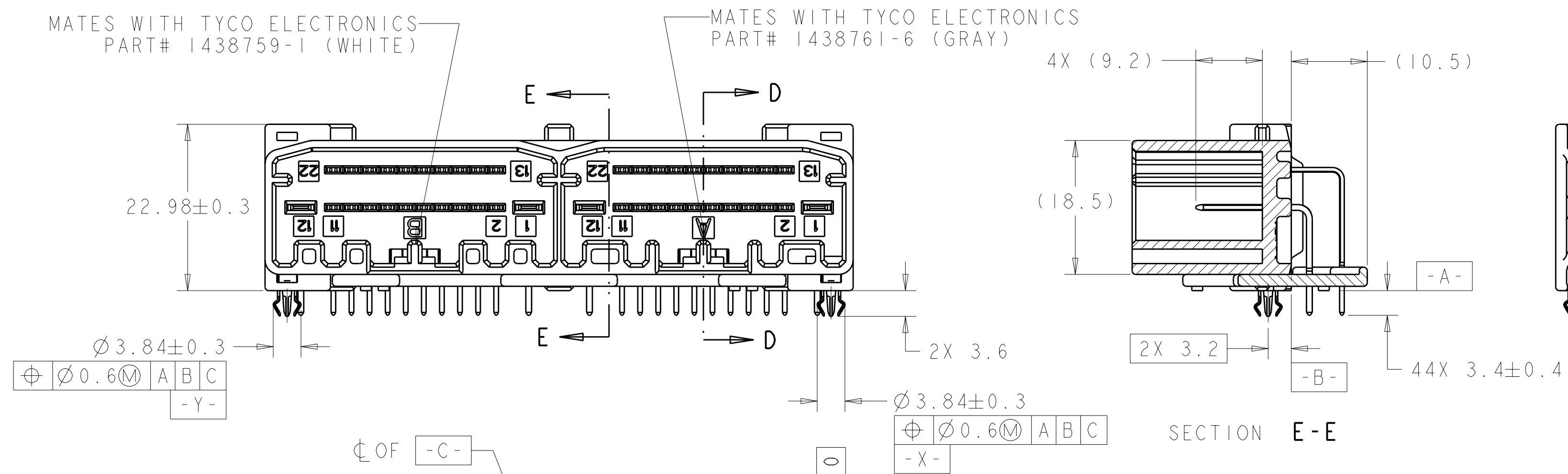
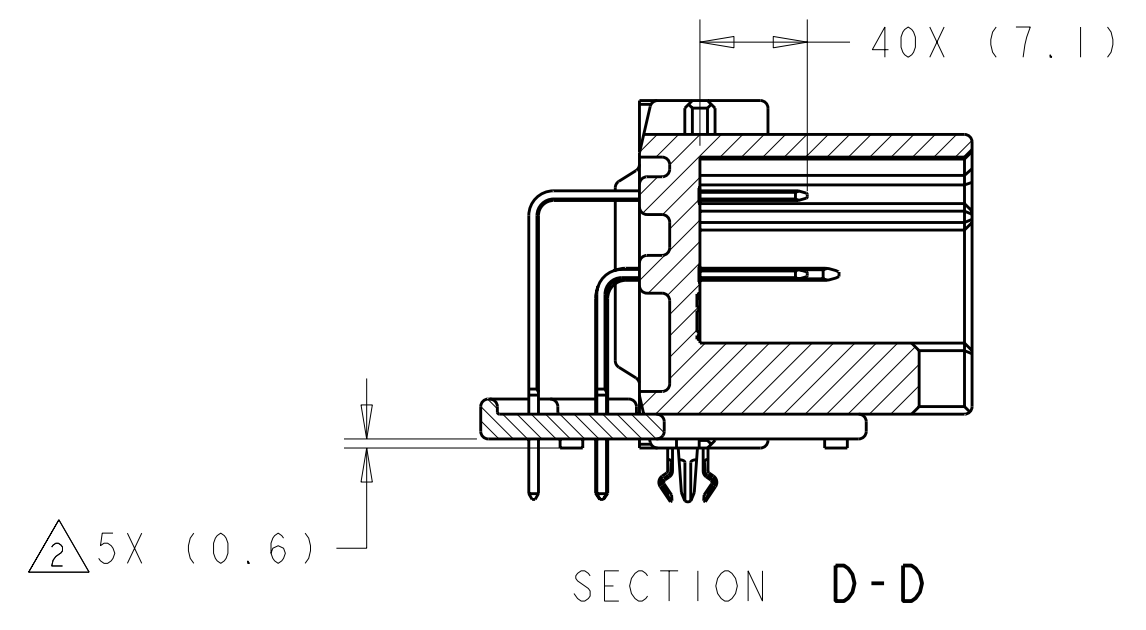
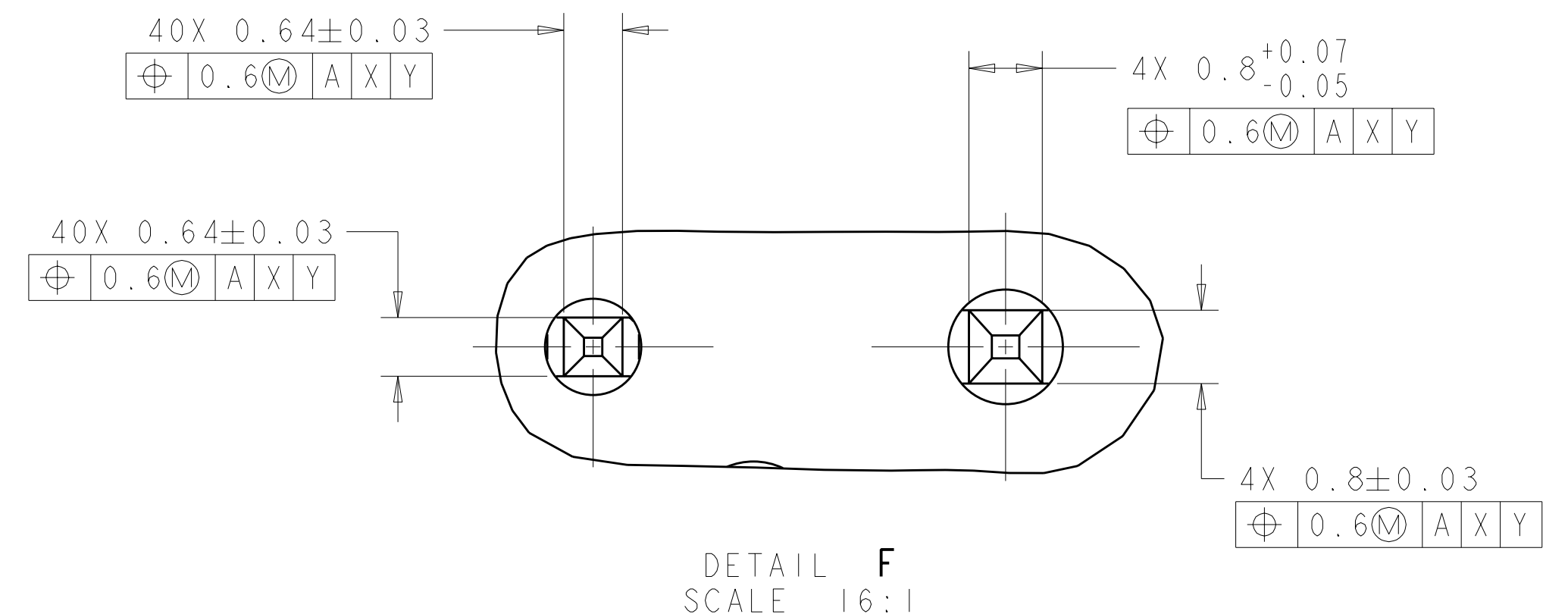
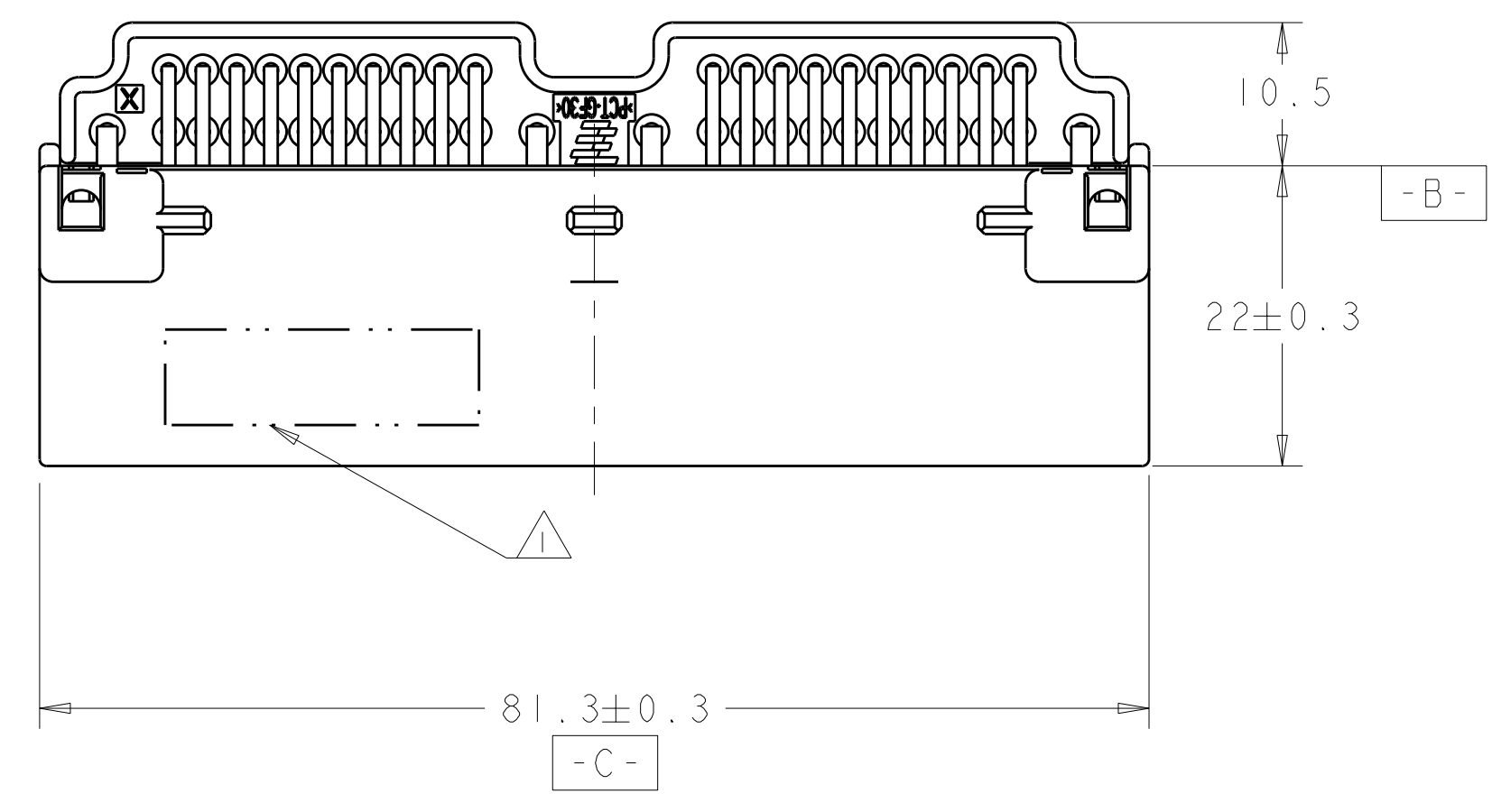
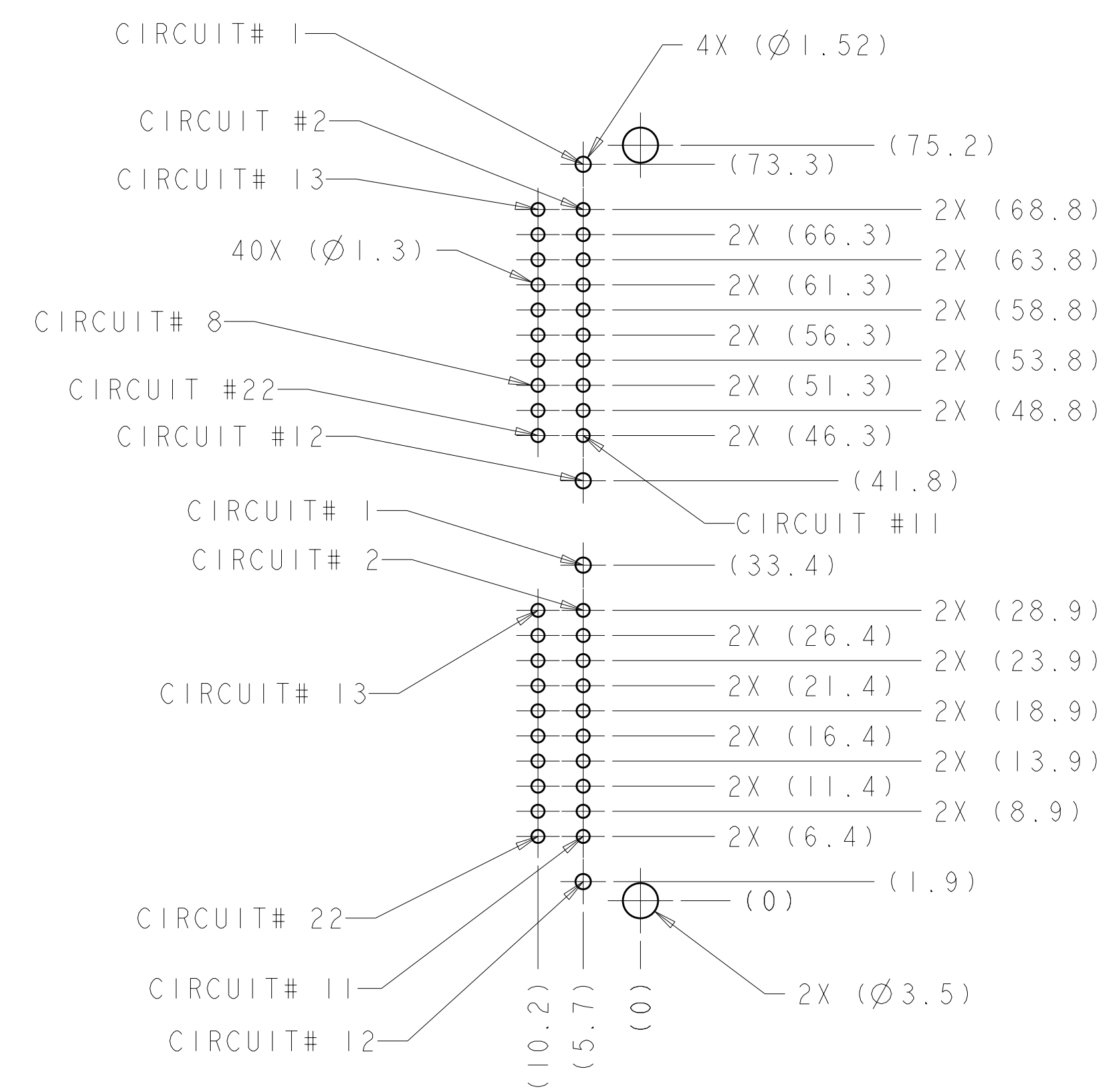


LOC	DIST	REV	DATE	BY	APP'D
IN	00	5	12FEB2009	MBH	BB
		A	01FEB2010	MBH	BB



PCT	GRAY	BRASS	POST-TIN	BRASS	POST-TIN	PCT	GRAY	9-1924089-6
MATERIAL	FINISH	MATERIAL	FINISH	MATERIAL	FINISH	MATERIAL	COLOR	PART NO
TINE PLATE		BOARDLOCK		CONTACT		HOUSING		
DIMENSIONS:		TOLERANCES UNLESS OTHERWISE SPECIFIED:		DWN		Tyco Electronics		
mm		9 PLC ±0.0		M. HITCHCOCK 07JAN2008		Harrisburg, PA 17105-3608		
Ø		1 PLC ±0.3		CHK B. BUCHTER 07JAN2008		NAME		
FINISH		5 PLC ±0.1		APVD B. BUCHTER 07JAN2008		44P CAP ASSEMBLY 040/2.8 HYBRID		
MATERIAL		4 PLC ±0.0		PRODUCT SPEC		(2X- 22P HYBRID)		
FINISH		ANGLES ±0.0		APPLICATION SPEC		PINS SAME SIDE OF CONNECTOR LATCH		
MATERIAL		FINISH		TBD		SIZE		
FINISH		FINISH		WEIGHT		CAGE CODE		
FINISH		FINISH		TBD		00779		
FINISH		FINISH		CUSTOMER DRAWING		SCALE		
FINISH		FINISH		CUSTOMER DRAWING		2:1		

NOTES:

- △ MARK DATE CODE IN APPROXIMATE LOCATION.
- △ STAND-OFF FEATURES