

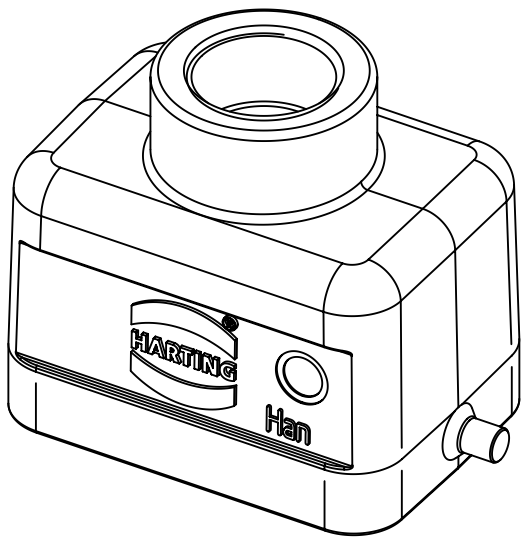
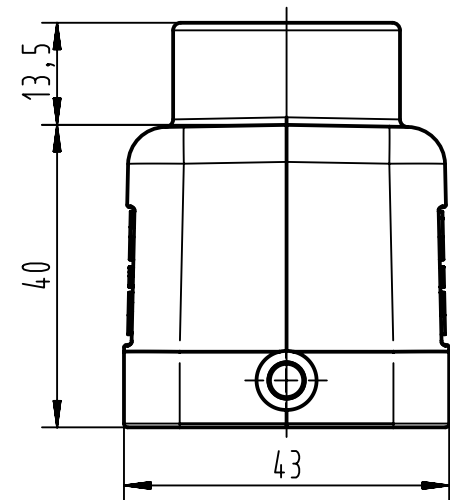
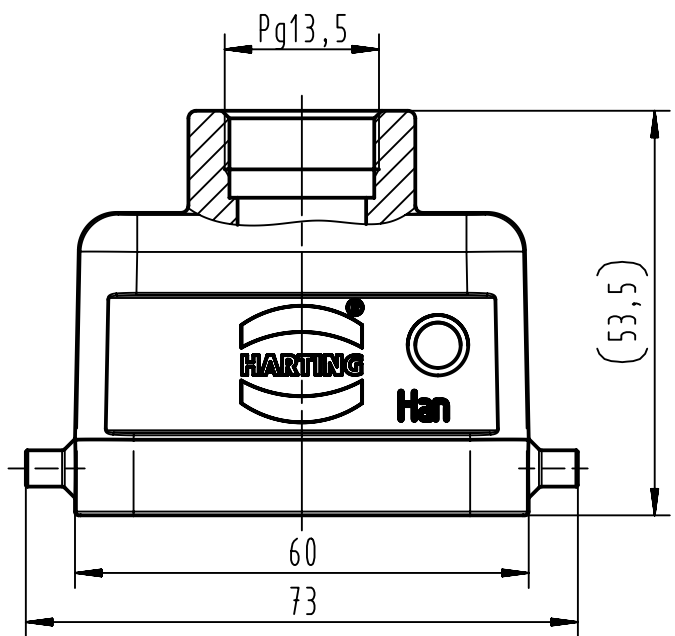
1 2 3 4 5 6

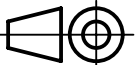

A

B

C

D



 All Dimensions in mm Original Size DIN A4	Scale	Free size tol.			Ref.
	1:1				Sub.
 All rights reserved Department EL PD - DE	Created by	Inspected by	Standardisation	Date	State
	RULLKOETTER	BERGHORN	SCHMIDTM	2012-12-18	Final Release
HARTING Electric GmbH & Co. KG D-32339 Espelkamp	Title Han 6B-gg-13.5				Doc-Key / ECM-Nr. 100201242/UGD/004/A
	Type TB	Number 09 30 006 1440			Rev. A