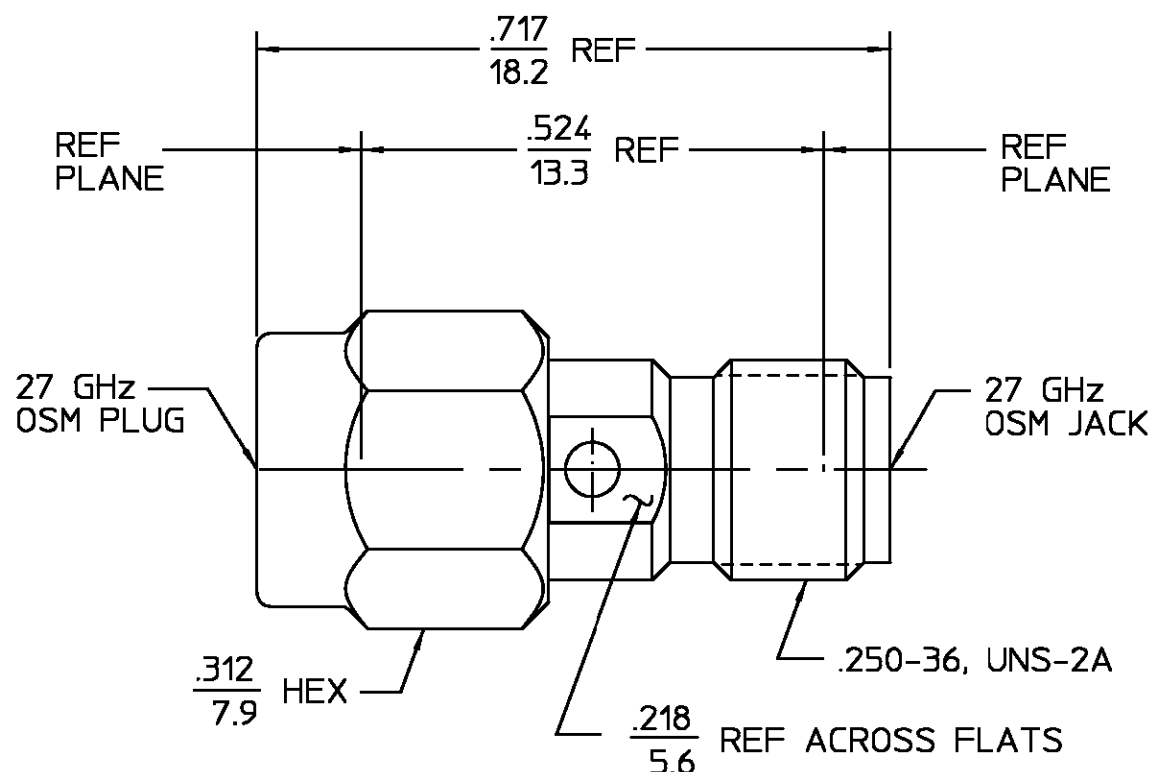


REVISIONS			
REV	DESCRIPTION	DATE	APPROVED
01 ₀	RELEASED	6/16/95	<i>DCamel</i>



ELECTRICAL	MECHANICAL	ENVIRONMENTAL
Nominal Impedance (Ohms) 50	Interface Dimensions MIL-STD-348A, Fig. 310.1 - PLUG	Temperature Rating -65°C to +165°C
Frequency Range (GHz) DC to 27.0	Fig. 310.2 - JACK	Vibration MIL-STD-202, Method 204, Condition D.
Volt Rating (VRMS MAX) @ Sea Level 335	Recommended Mating Torque 7 to 10 in-lbs	Shock MIL-STD-202, Method 213, Condition I
VSWR 1.05 ±.005 f(GHz)	Mating Characteristics:	Thermal Shock MIL-STD-202, Method 107, Condition C.
Insertion Loss (dB MAX) .03 √ f(GHz) DC to 18 GHz	Insertion (MAX Lbs) 3.0	Moisture Resistance MIL-STD-202, Method 106
.05 √ f(GHz) 18 to 27 GHz	Withdrawal (MIN Oz) 1.0	Corrosion - MIL-STD-202, Method 101, Condition B, 5% salt spray
RF Leakage (dB MIN) -[90-f(GHz)] Corona, 70,000 Ft (VRMS MIN) 250	Force to Engage and Disengage (In-Lbs MAX) 2.0	
Dielectric Withstanding Voltage (VRMS MIN) @ Sea Level 1,000	Center Contact Captivation Axial (Lbs) 6.0	
Contact Resistance (Milliohms MAX) Center Contact 4.0	Radial (In-Oz) 4.0	
Outer Contact 2.0	Cable Retention Axial Force (Lbs) N/A	
RF High Potential @ Sea Level (VRMS MIN @ 5 MHz) 670	Torque (In-Oz) N/A	
I.R.(Megohms MIN) 5,000	Weight (Grams) TBD	

COMPONENT	MATERIAL	FINISH
HOUSING COUPLING NUT	STAINLESS STEEL PER ASTM-A484 AND ASTM-A582, TYPE 303	PASSIVATE PER QQ-P-35
DIELECTRIC	TFE FLUOROCARBON PER ASTM-D-1457	N/A
CENTER CONTACT	BERYLLIUM COPPER PER ASTM B 196 OR ASTN-B-197 ALLOY C17300, CONDITION H	GOLD PLATE PER MIL-G-45204
RETAINING RING	BERYLLIUM COPPER PER ASTM B 194, ALLOY C17200, CONDITION H	N/A
GASKET	SILICONE RUBBER PER ZZ-R-765	N/A

UNLESS OTHERWISE SPECIFIED DIMENSIONS ARE IN INCHES

FRAC. ± 1/64 DEC. ±.005 ANGLES ± 1°

DRAWN BY *JANUAR* DATE 6/16/95
 CHECKED BY
 APPD BY *DCamel* 6/16/95

USE ASSY PROCEDURE
 NO. A.P. N/A

AMP Incorporated
 140 Fourth Avenue
 Waltham, MA 02451-7599

TITLE: OSM HIGH FREQUENCY (27GHz) PLUG TO JACK ADAPTER

SIZE B	CODE IDENT NO. 26805	2782-5004-02	REV 01 ₀
SCALE 10 : 1	N/A	SHEET 1 OF 1	