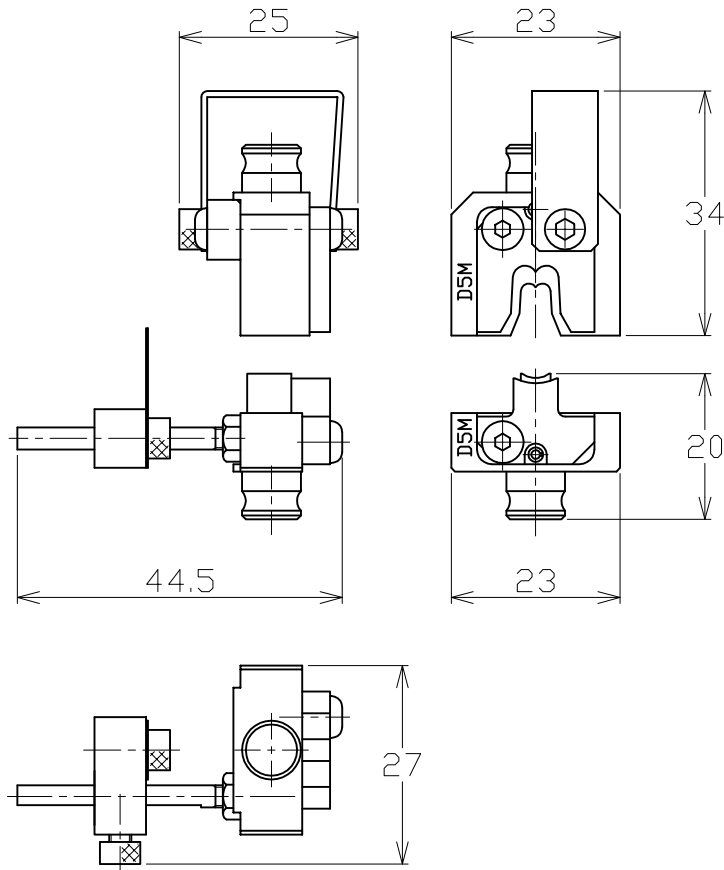


LOC	DIST	REVISIONS					
J	—	P	LTR	DESCRIPTION	DATE	DWN	APVD
		B		ECR-12-012555 REVISED	12JUL2012	S.N	J.K
TERMINAL No.	WIRE SIZE (mm ²)	AWG#	INS. RANGE (mm)	TERMINAL CH (mm)		APPL. SPEC.	
				WIRE	INS.		
316041-2 316041-3 316041-6	3.08-4.60	#12	ø4.0-ø5.2	2.26-2.43	4.65-5.69	114-5206	
917805-2 917805-3	4.60-5.50	#10		2.26-2.75			



THIS DRAWING IS UNPUBLISHED. ALL RIGHTS RESERVED. BY TYCO ELECTRONICS JAPAN G.K.

PART No.	REMARKS
2155503-1	D5000-M

DIMENSIONS: mm TOLERANCES UNLESS OTHERWISE SPECIFIED: 0 PLC ± 0.1 1 PLC ± 0.1 2 PLC ± 0.05 3 PLC ± 0.03 4 PLC ± ANGLES ± 0'30'	DWN S.NAKA 11MAY2012	MATERIAL	FINISH
	CHK S.NAKA 11MAY2012	TE Connectivity	
APVD J.KOGA 11MAY2012	NAME		
PRODUCT SPEC	—	SIZE	A4
APPLICATION SPEC	—	CAGE CODE	00779
WEIGHT	Approx. 66g	DRAWING NO	C-2155503
CUSTOMER DRAWING		RESTRICTED TO	—
		SCALE	1:1
		SHEET	1 OF 1
		REV	B