

Customer Information Sheet

DRAWING No.: D01-60200XX

SHEET 2 OF 2

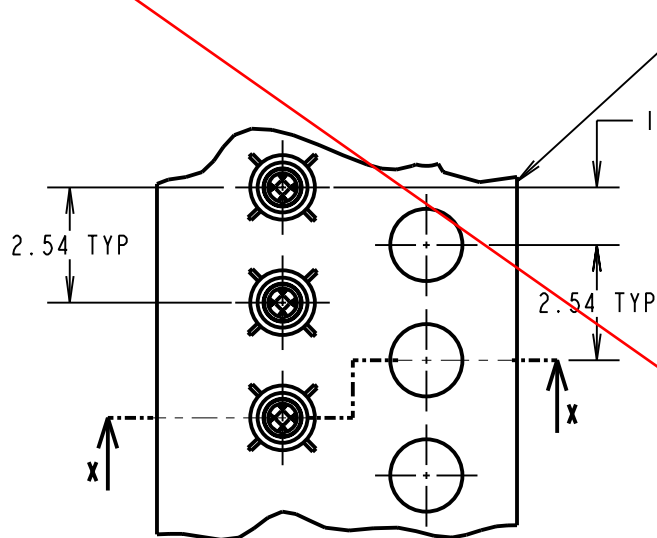
IF IN DOUBT - ASK

(C)

NOT TO SCALE

THIRD ANGLE PROJECTION

ALL DIMENSIONS IN mm



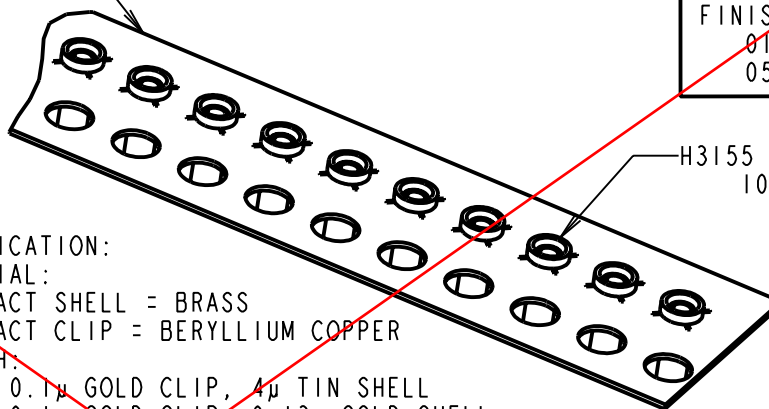
MYLAR CARRIER STRIP

ORDER CODE:

D01-60200XX

FINISH:

- 01 = GOLD CLIP, TIN SHELL
- 05 = GOLD CLIP, GOLD SHELL



H3155 SUB-MIN CONTACT
100 PER STRIP

SPECIFICATION:

MATERIAL:

- CONTACT SHELL = BRASS
- CONTACT CLIP = BERYLLIUM COPPER

FINISH:

- 01 = 0.1μ GOLD CLIP, 4μ TIN SHELL
- 05 = 0.1μ GOLD CLIP, 0.13μ GOLD SHELL

ELECTRICAL:

- CURRENT RATING AT 25°C = 2A MAX
- CURRENT RATING AT 85°C = 1.75A MAX
- CONTACT RESISTANCE (INITIAL) = 15 MILLIOHMS MAX
- CONTACT RESISTANCE (AFTER CONDITIONING) = 25 MILLIOHMS MAX

MECHANICAL:

- INSERTION FORCE (∅0.5mm GAUGE) = 6N MAX, 2N MIN
- WITHDRAWAL FORCE (∅0.5mm GAUGE) = 1.5N MIN, 0.5N MIN
- DURABILITY - 01 & 05 = 500 OPERATIONS

ENVIRONMENTAL:

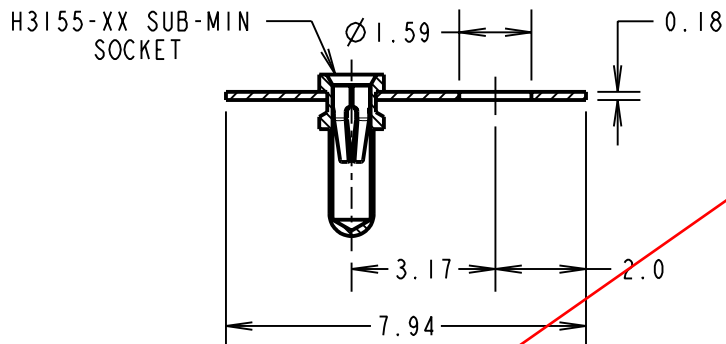
- OPERATING TEMPERATURE = -55°C TO +125°C

FOR COMPLETE SPECIFICATION, SEE COMPONENT SPECIFICATION C006XX (LATEST ISSUE)

NOTES:

1. MAXIMUM CONTACT DEPTH = 2.15mm.
2. MAXIMUM PIN LENGTH = 3.15mm
3. RECOMMENDED PIN SIZE = ∅0.51 -0.46mm
4. RECOMMENDED MOUNTING HOLE SIZE = ∅1.10mm-1.00mm
5. QUANTITY = STRIP OF 100 PER TUBE

OBSOLETE



H3155-XX SUB-MIN
SOCKET

RA	2	28.01.10	----
NAME	ISS.	DATE	C/NOTE
APPROVED:		R.ADDE	
CHECKED:		M.G.PLESTED	
DRAWN:		R.WHITE	
CUSTOMER REF.:			
ASSEMBLY DRG:			

HARWIN

HARWIN USA
TEL: 603 893 5376
FAX: 603 893 5396
mis@harwin.com

HARWIN Europe (UK)
TEL: 023 9231 4545
FAX: 023 9231 4590
mis@harwin.co.uk

HARWIN Asia
TEL: +65 6 779 4909
FAX: +65 6 779 3868
mis@harwin.com.sg

THIS DRAWING AND ANY INFORMATION OR DESCRIPTIVE MATTER SET OUT HEREON ARE CONFIDENTIAL AND COPYRIGHT PROPERTY OF THE HARWIN GROUP AND MUST NOT BE DISCLOSED, LOANED, COPIED OR USED FOR MANUFACTURING, TENDERING OR FOR ANY OTHER PURPOSE WITHOUT THEIR WRITTEN PERMISSION.

TOLERANCES

- X. = ±1mm
- X.X = ±0.25mm
- X.XX = ±0.10mm
- X.XXX = ±0.01mm
- ANGLES = ±5°
- UNLESS STATED

MATERIAL:

SEE ABOVE

FINISH: SEE ABOVE

S/AREA: mm²

TITLE: BANDOLIERED SUB-MIN SOCKET-H3155 (ON MYLAR STRIP-100 PER STRIP)

DRAWING NUMBER:

D01-60200XX

SHT
2 OF 2