



Evaluation Kit User's Manual

Digital Step Attenuator PE43704 and PE43705



Table of Contents

Introduction	3
Applications Support	3
Evaluation Kit Contents and Requirements	3
Kit Contents	3
Software Requirements	3
Hardware Requirements	3
PE43704 and PE43705 DSA Evaluation Board Assembly	4
Overview	4
USB Interface Board	5
USB Interface Board Overview	5
Connection of the USB Interface Board to the Evaluation Board	5
USB Driver Installation	5
EVK Software Installation	6
Using the Application Software Graphical User Interface	9
Evaluation Board Overview	12
Hardware Operation	15
Technical Resources	16

Introduction

PE43704 and PE43705 are HaRP™ technology-enhanced, high linearity, 7-bit RF Digital Step Attenuators (DSAs). These highly versatile DSAs cover a 31.75 dB attenuation range in 0.25 dB, 0.5 dB, or 1.0 dB steps. The customer can choose which step size and associated specifications are best suited for their application. PE43704 and PE43705 provide multiple CMOS control interfaces which support Direct Parallel, Latch Parallel, and Serial programming modes, and PE43704 has an optional external V_{SS} feature. PE43704 and PE43705 maintain high attenuation accuracy over frequency and temperature, and exhibit low broadband insertion loss and low power consumption. Performance does not change with V_{DD} due to an on-board regulator. These DSAs are available in a 32-lead 5x5 mm QFN footprint. No blocking capacitors are required if DC voltage is not present on the RF ports.

The PE43704 and PE43705 Evaluation Kit (EVK) includes the application software and hardware required to control and evaluate the functionality of the DSA using a PC running the Windows operating system to control the USB interface board.

Applications Support

For any technical inquiries regarding the evaluation kit or software, please visit applications support at www.psemi.com (fastest response) or call (858) 731-9400.

Evaluation Kit Contents and Requirements

Kit Contents

The PE43704 and PE43705 Evaluation Kit (EVK) includes all of the specific software and hardware required to evaluate the DSA. Included in the EVK are:

Quantity	Description
1	PE43704 and PE43705 DSA Evaluation Board Assembly (PRT-13505)
1	Peregrine USB Interface Board Assembly (DOC-02635)
1	USB 2.0 Type A to Type B Mini Cable

Software Requirements

The application software will need to be installed on a computer with the following minimum requirements:

- PC compatible with Windows™ XP, Vista, 7, or 8
- Mouse
- USB port
- HTML browser with internet access

Hardware Requirements

In order to evaluate the step attenuation performance of the evaluation board, the following equipment is required:

- DC power supplies and DC cables
- Vector network analyzer

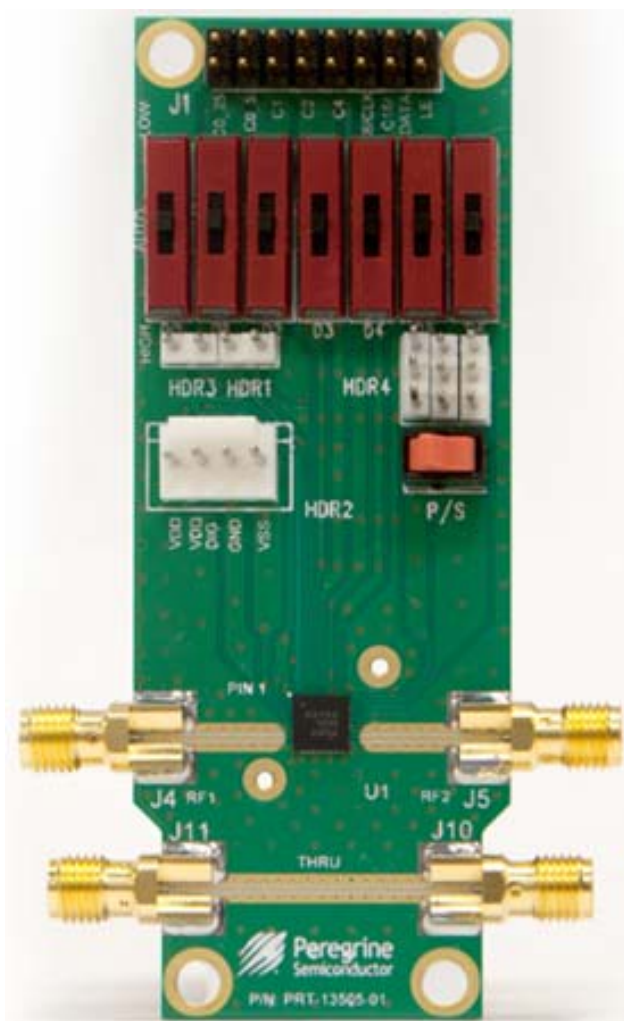
CAUTION: The PE43704 and PE43705 DSA EVK contains components that might be damaged by exposure to voltages in excess of the specified voltage, including voltages produced by electrostatic discharges. Handle the board in accordance with procedures for handling static-sensitive components. Avoid applying excessive voltages to the power supply terminals or signal inputs or outputs.

PE43704 and PE43705 DSA Evaluation Board Assembly

Overview

The Evaluation Board is assembled with a PE43704 or PE43705 DSA, SP2T mechanical switch (P/S), SP3T mechanical switches (D0~D6), several headers, and SMA connectors. The P/S switch is used for Parallel or Serial mode selection. The D0~D6 switches are used for setting the control bits in Direct Parallel programming mode.

Figure 1. PE43704 or PE43705 Evaluation Board Assembly



USB Interface Board

USB Interface Board Overview

A USB interface board (*Figure 2*) is included in the Evaluation Kit. This board allows the user to send SPI commands to the device under test by using a PC running the Windows™ operating system. To install the software, extract the zip file to a temporary directory and follow the installation procedure included.

Connection of the USB Interface Board to the Evaluation Board

The Evaluation Board and the USB interface board contain a keyed 16 pin header. This feature allows the USB interface board (socket) to connect directly to the Evaluation Board (pin) on the front-side as shown in *Figure 3*.

USB Driver Installation

The latest USB interface board drivers are available via Microsoft Windows update. Internet connectivity is required to download the drivers. Connect the USB interface board to the PC and select the Windows Update option to obtain and install the drivers.

If the USB board drivers are not installed, it will not be possible to run the program correctly. A USB interface board (*Figure 2*) is included in the Evaluation Kit.

Figure 2. DSA USB Interface Board



Figure 3. DSA USB Interface Board Connected to the PE43704 or PE43705 Evaluation Board for Latch Parallel and Serial Programming

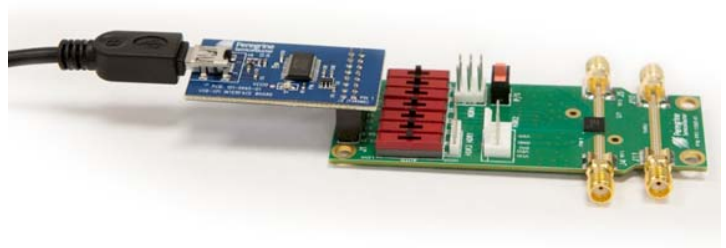
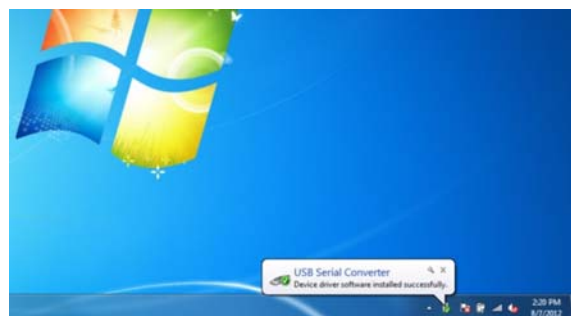


Figure 4. USB Driver Installation



EVK Software Installation

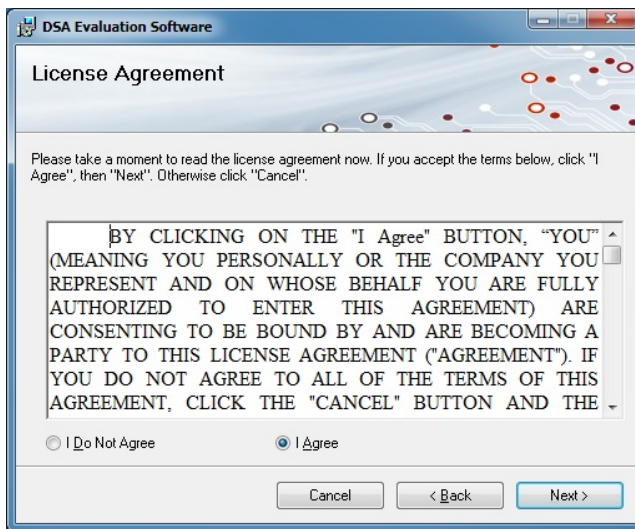
In order to evaluate the PE43704 or PE43705 performance, the Application Software has to be installed on your computer. The USB interface and DSA application software is compatible with computers running Windows™ XP, Vista, 7, or 8. This software is available directly from Peregrine’s website at www.psemi.com.

To install the DSA evaluation software, unzip the archive and execute the “setup.exe.”

After the setup.exe file has been executed, a welcome screen will appear. It is strongly recommended that all programs be closed prior to running the install program. Click the “Next>” button to proceed.

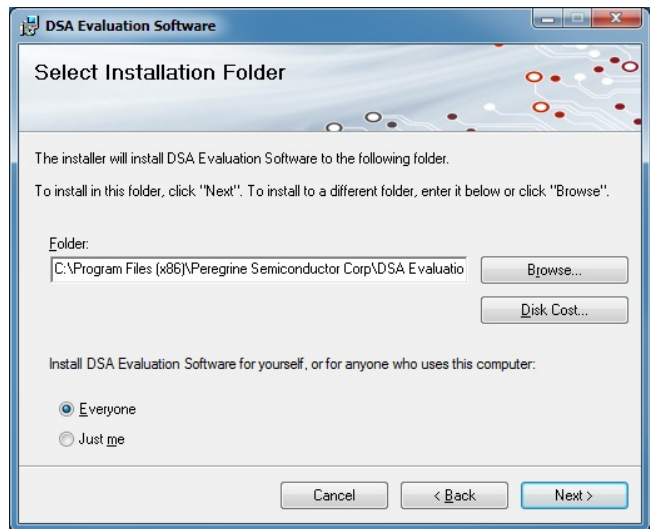
Take a moment to read the license agreement, then click “I Agree” and “Next>.”

Figures 5(a-c). Application Software Installation Procedure

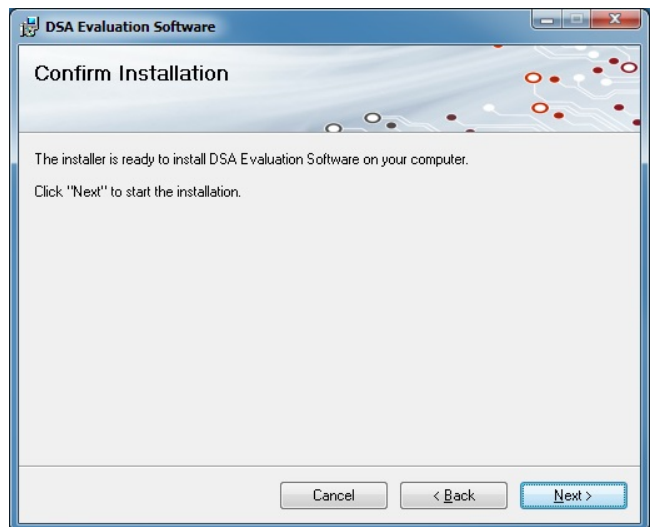


For most users the default install location for the program files is sufficient. If a different location is desired, the install program can be directed to place the program files in an alternate location. The software is installed for “Everyone” by default. Once the desired location is selected click “Next >.”

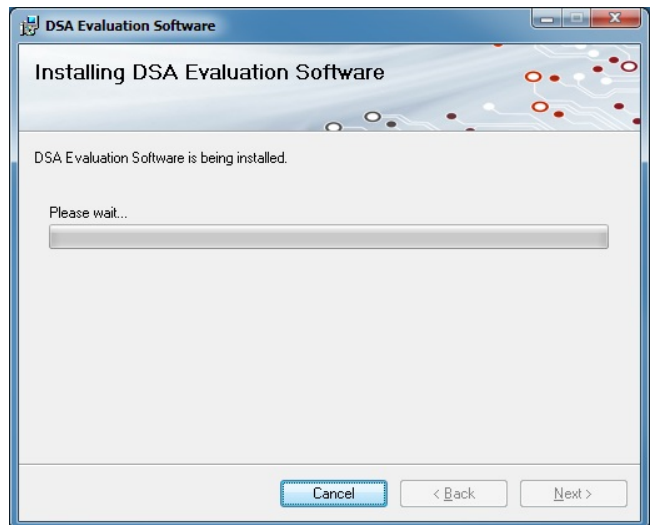
Figures 5(d-f). Application Software Installation Procedure



The Confirm Installation is ready to install the DSA evaluation software on your computer, then click “Next>” to proceed with the software installation.



As the software files are installed, a progress indicator will be displayed. On slower computers, installation of the software may proceed for a few moments.



Once the evaluation software is installed, click “Close” to exit.

A new Start Menu item under Peregrine Semiconductor will appear in the start menu of your computer. Select “DSA Evaluation Software” to launch the GUI.

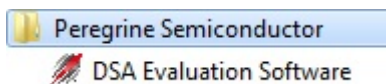
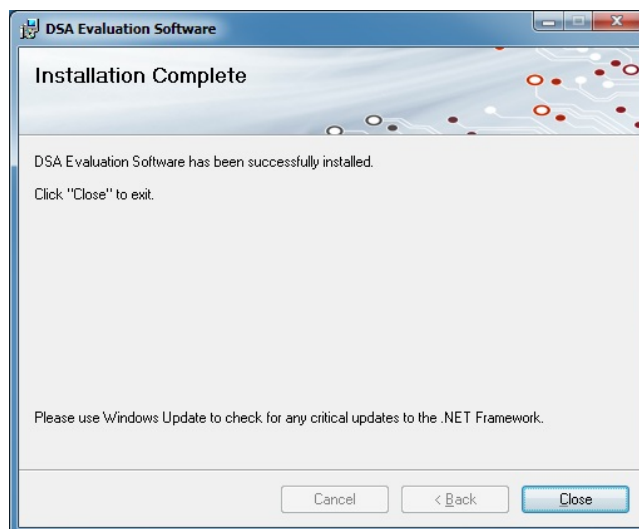


Figure 5(g). Application Software Installation Procedure

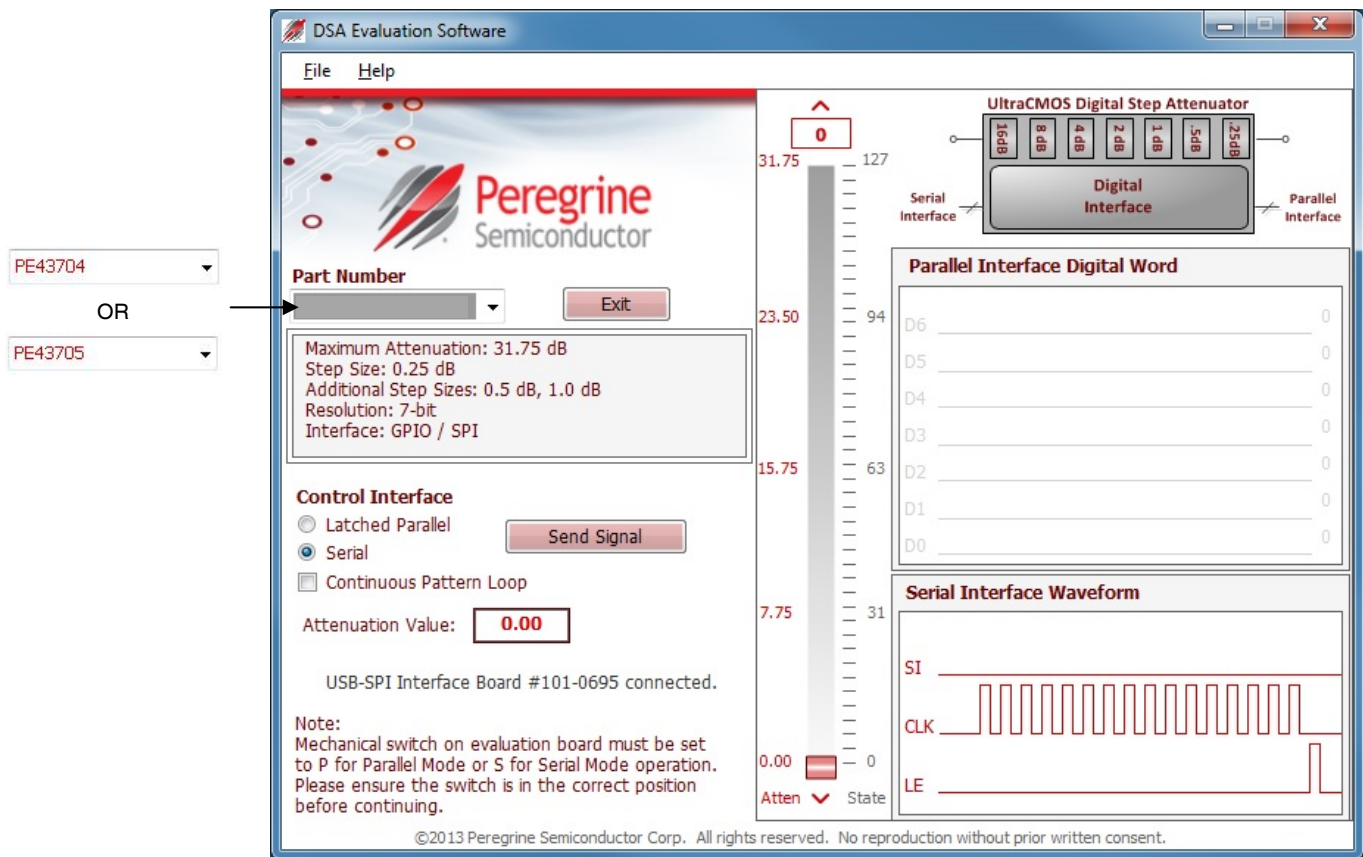


Using the Application Software Graphical User Interface

Figure 6 displays the DSA application software graphical user interface (GUI), which has the USB interface board plugged into the computer. If the USB interface board is not connected when the application software is launched, the message **“No interface board connected! Please connect USB-SPI Interface #101-0695.”** will appear at the bottom of the screen.

In the upper left corner, under the Peregrine Logo there is a drop down menu item to select the part for evaluation and the part description is right below the part number box.

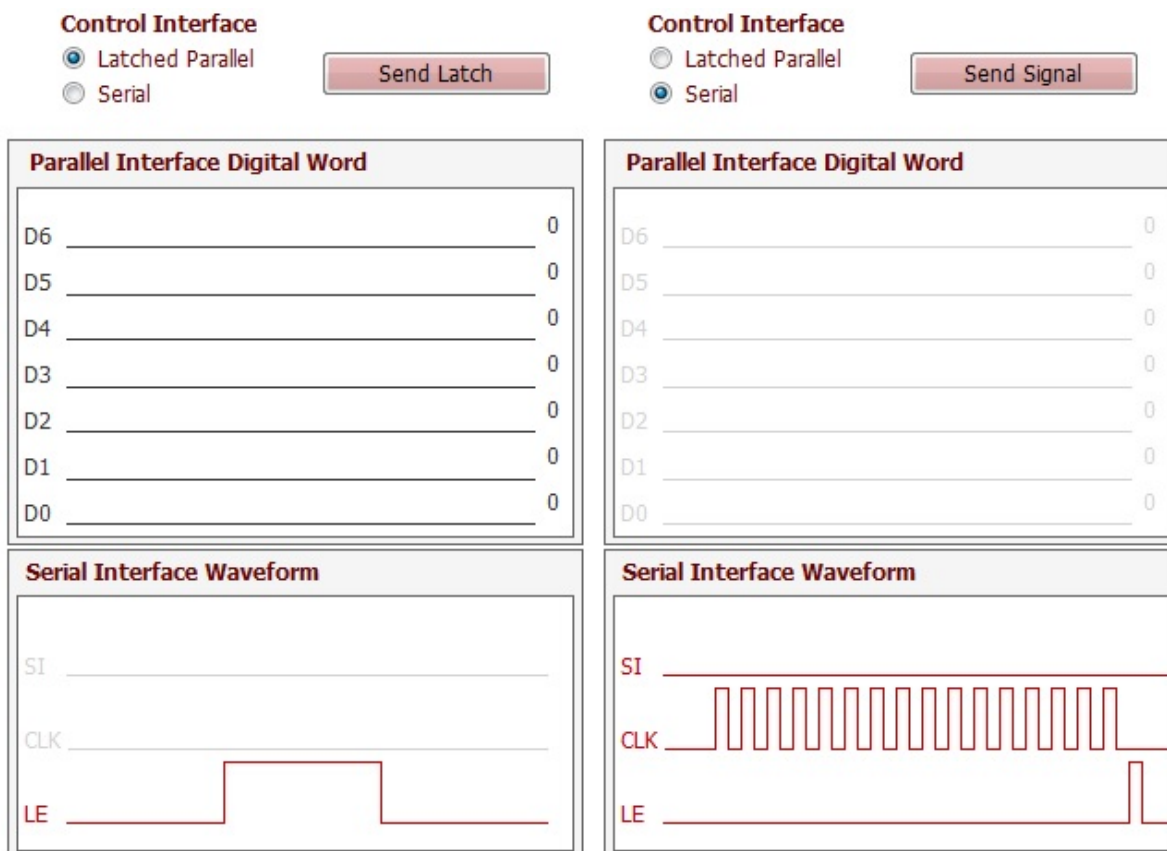
Figure 6. DSA Application Software Graphical User Interface (GUI)



The DSA application software GUI supports Latched Parallel and Serial modes, and shows the control bit waveform at the right side of the GUI when the mode is selected.

The Send button changes functionality based on the control interface mode. Send Latch in Latched Parallel mode and Send Signal in Serial mode is provided to resend the programming bits to the device at the same attenuation state.

Figure 7. Latched Parallel or Serial Mode



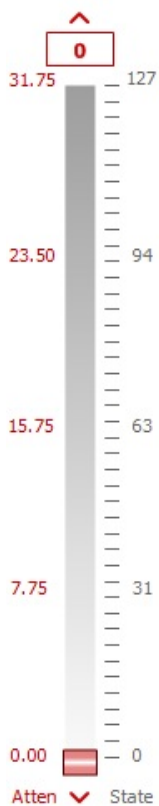
Continuous Pattern Loop can be selected to automatically step through each of the attenuation states.

Continuous Pattern Loop

The Attenuation Value box displays the attenuation value the DSA is currently programmed. The user can enter the desired attenuation value followed by the “Enter” key to program the DSA.

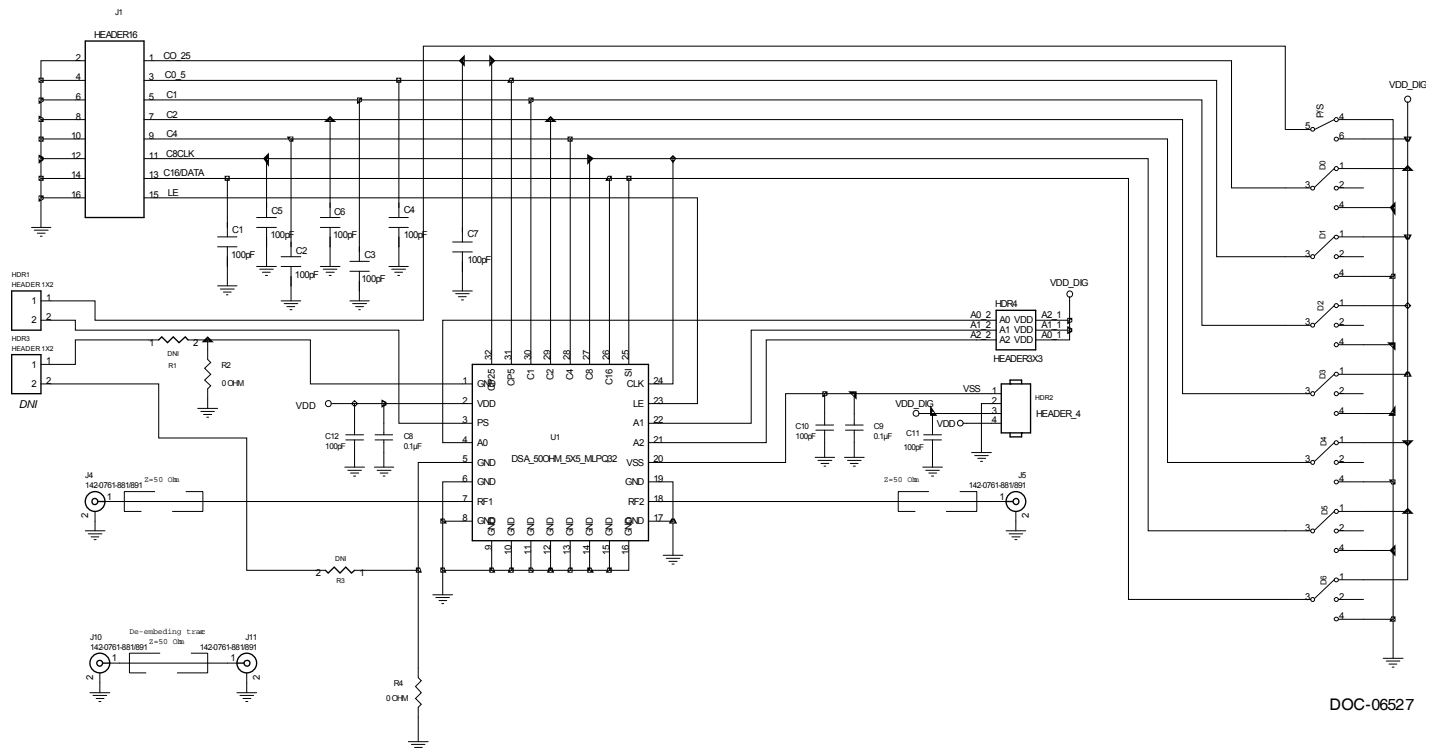
Attenuation Value:

The center of the GUI is the attenuation slide bar that allows the user to quickly select the desired attenuation. The arrows at the top and bottom can be clicked to increase or decrease attenuation state at the minimum step size.



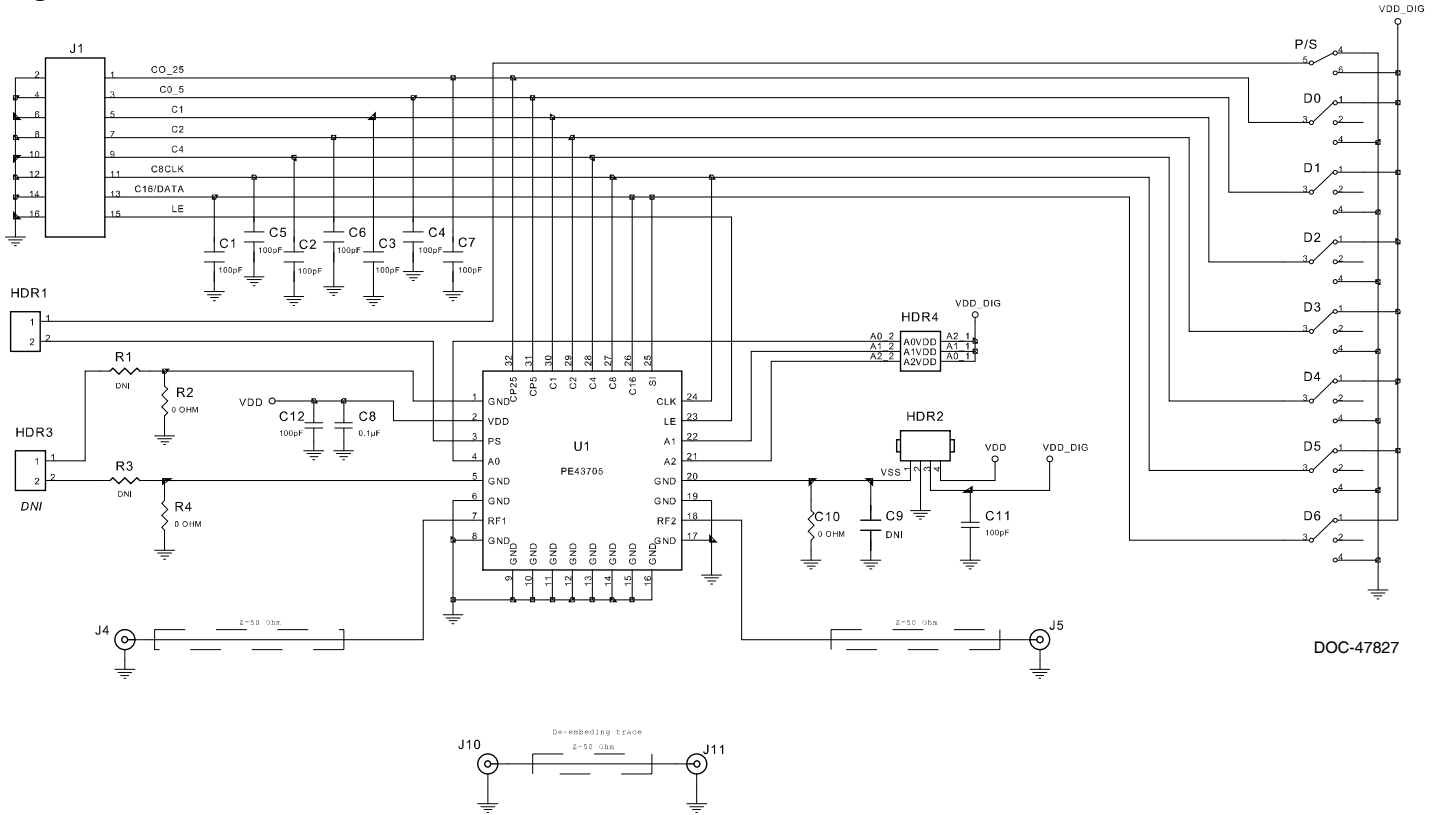
Evaluation Board Overview

Figure 8. PE43704 Evaluation Board Schematic



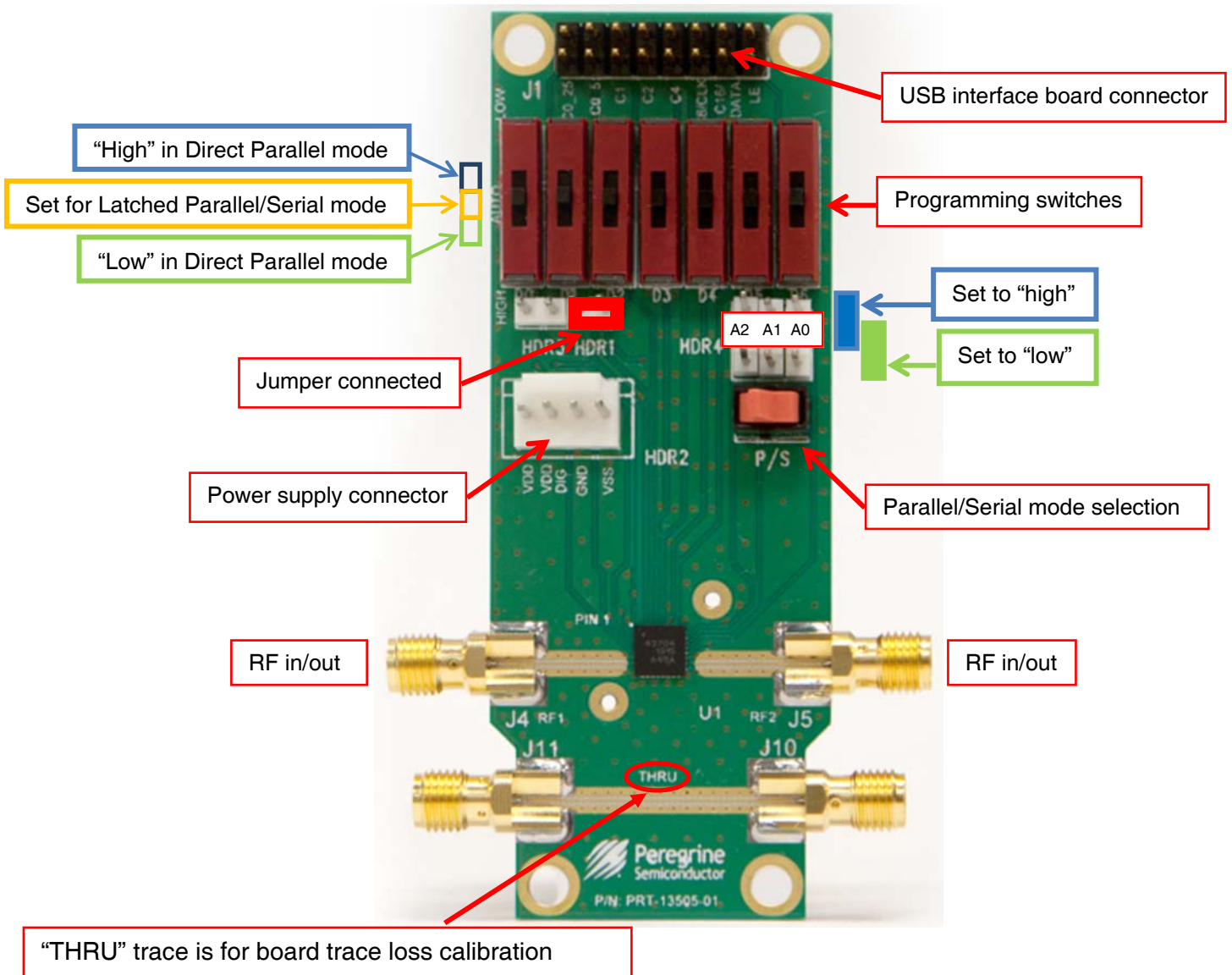
- Notes: 1. Use PRT-13505-01 PCB
 2. CAUTION: Contains parts and assemblies susceptible to damage by electrostatic discharge (ESD)

Figure 9. PE43705 Evaluation Board Schematic



- Notes: 1. Use PRT-13505 PCB
2. CAUTION: Contains parts and assemblies susceptible to damage by electrostatic discharge (ESD)

Figure 10. PE43704 and PE43705 Evaluation Board Outline Showing Functional Overview



Hardware Operation

1. Verify that all DC power supplies are turned off before proceeding.
2. Connect the jumper on HDR1.
3. Position the P/S switch to Parallel or Serial mode.
4. Set A0, A1, and A2 to “LOW” on HDR4 for default setting. They can be set to “HIGH” or “LOW” for Serial Addressable mode when more of the DSAs are used. Refer to Application Note AN26 on Peregrine Semiconductor’s website.
5. Set the D0~D6 programming switches to support Direct Parallel, Latched Parallel, or Serial mode.
 - a) Place D0~D6 at the middle position to support Latched Parallel and Serial modes with GUI application software and proper position of the P/S switch.
 - b) In Direct Parallel mode, D0~D6 can be set to “HIGH” or “LOW” to manually program the attenuation state while LE (pin 15 of J1) is connected to “HIGH” without using the USB interface board and application software.
6. Provide external power supply to the HRD2 connector (refer to the Operating Ranges table in the datasheets).
 - a) V_{DD} is the positive power supply.
 - b) V_{DD_DIG} is the positive power supply for control signals and can be connected to V_{DD} to simplify the test set-up.
 - c) V_{SS} is the external negative power supply for PE43704. It can also be shorted to GND enabling the internal negative voltage generator and simplifying the test set-up. PE43705 does not have this option.
7. Calibrate board trace loss with “THRU” trace between J10 and J11.

Technical Resources

Additional technical resources are available for download in the Products section at www.psemi.com. These include the Product Specification datasheet, S-Parameters zip file, Evaluation Kit schematic and Bill of Materials, Material Declaration form, and PC-compatible software file.

Trademarks are subject to trademark claims.

The information in this document is believed to be reliable. However, Peregrine assumes no liability for the use of this information. Use shall be entirely at the user's own risk. No patent rights or licenses to any circuits described in this document are implied or granted to any third party.

Peregrine's products are not designed or intended for use in devices or systems intended for surgical implant, or in other applications intended to support or sustain life, or in any application in which the failure of the Peregrine product could create a situation in which personal injury or death might occur. Peregrine assumes no liability for damages, including consequential or incidental damages, arising out of the use of its products in such applications.

The Peregrine name, logo, UltraCMOS and UTSi are registered trademarks and HaRP, MultiSwitch and DuNE are trademarks of Peregrine Semiconductor Corp. All other trademarks mentioned herein are the property of their respective companies. Peregrine products are protected under one or more of the following U.S. Patents: <http://patents.psemi.com>