

MATERIALS AND FINISHES

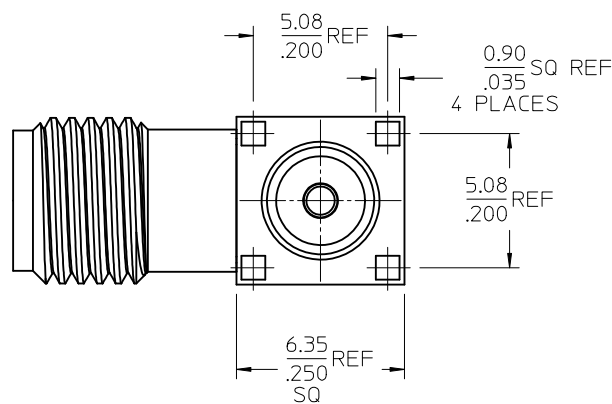
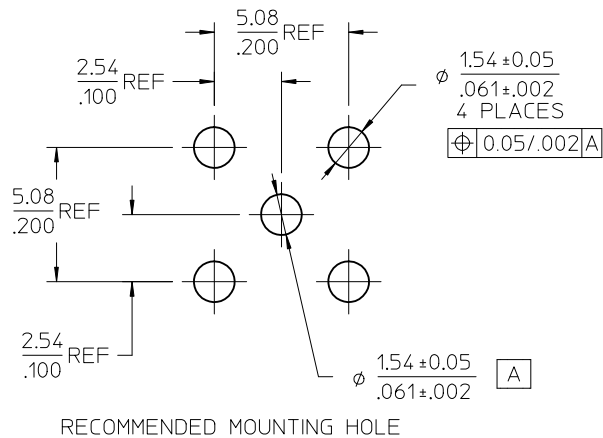
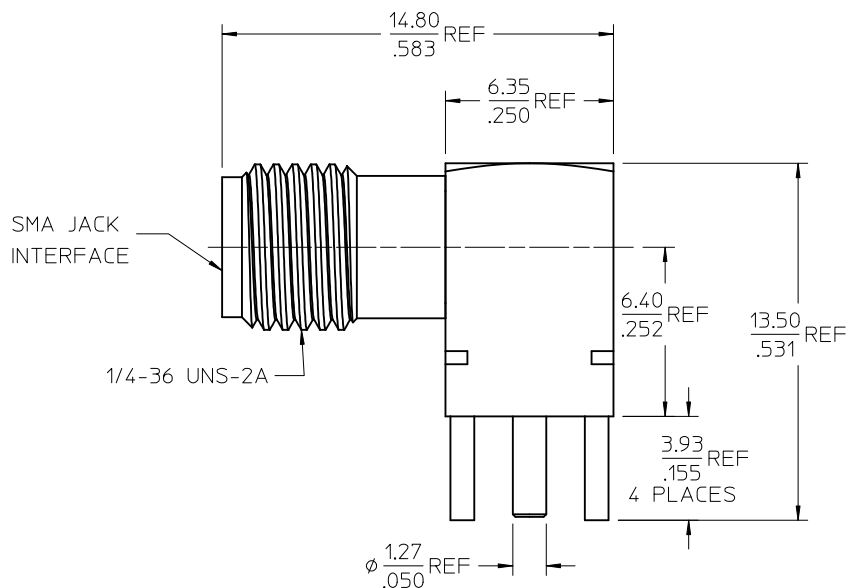
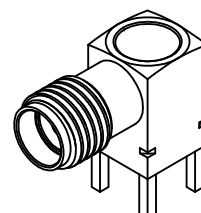
BODY BRASS
PLATED GOLD

CENTER CONTACT BERYLLIUM COPPER
PLATED GOLD

PCB CONTACT BRASS
PLATED GOLD

INSULATOR TEFLON

EXCEPTION TO PRODUCT SPECIFICATION
73598-0111: FREQUENCY RANGE: DC TO 12GHz



PS-73598-0111	PRODUCT SPECIFICATION
SPECIFICATION	DESCRIPTION

73251-3130	73100-0114, ONE PER BAG
73100-0114	TRAY
PART NO.	PACKAGING

ADDED GROOVE EC NO: URF2010-0443 DRW:LIN 2010/01/29 CHKD:VLID WANG 1995/09/23 APPR:MHUANG 2010/02/23 C2	QUALITY SYMBOLS ▽=0 ▽=0	GENERAL TOLERANCES (UNLESS SPECIFIED) mm INCH 4 PLACES ± --- ± --- 3 PLACES ± --- ± --- 2 PLACES ± --- ± --- 1 PLACE ± --- ± --- ANGULAR ± 2 °	DIMENSION STYLE MM/IN DRAWN BY THOMPSON TSN 1993/10/15 DATE CHECKED BY VLID WANG 1995/09/23 DATE APPROVED BY MHUANG 2010/02/22 DATE	SCALE DESIGN UNITS METRIC THIRD ANGLE PROJECTION	TITLE SMA JACK,R/A PCB,50 OHMS SMA-J/PCB
		DRAFT WHERE APPLICABLE MUST REMAIN WITHIN DIMENSIONS	MATERIAL NO. SEE TABLE	MOLEX INCORPORATED DOCUMENT NO. SD-73100-0114	SHEET NO. 1 OF 1
		THIS DRAWING CONTAINS INFORMATION THAT IS PROPRIETARY TO MOLEX INCORPORATED AND SHOULD NOT BE USED WITHOUT WRITTEN PERMISSION			