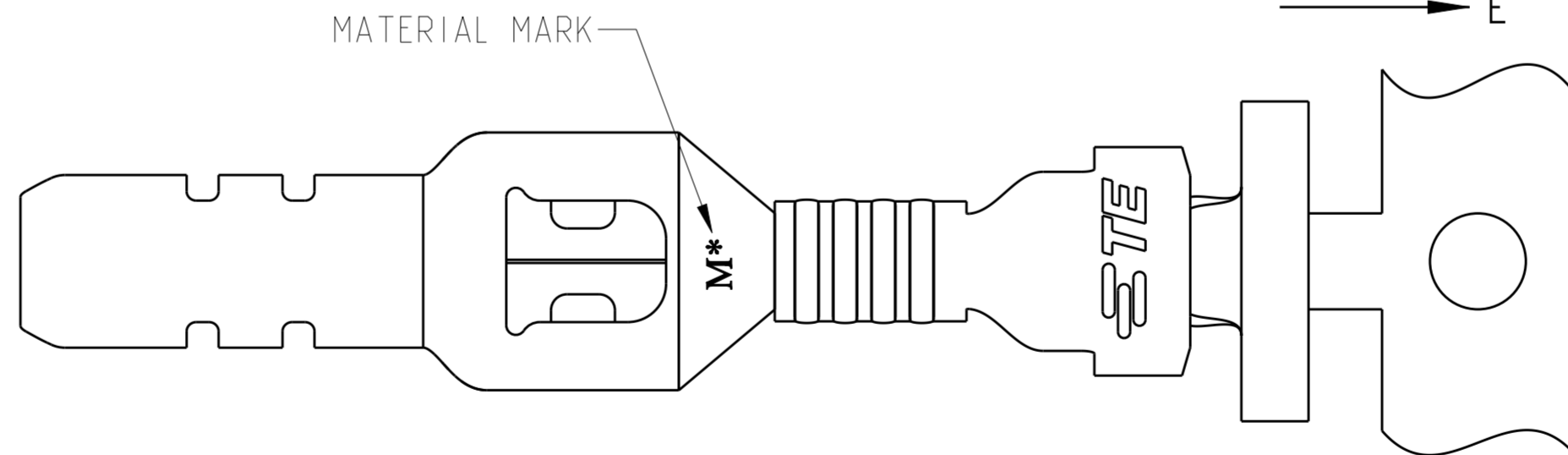
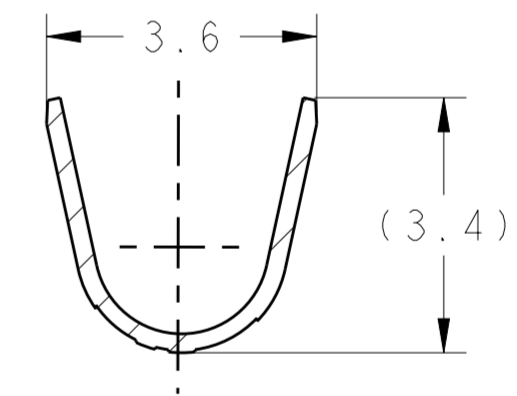
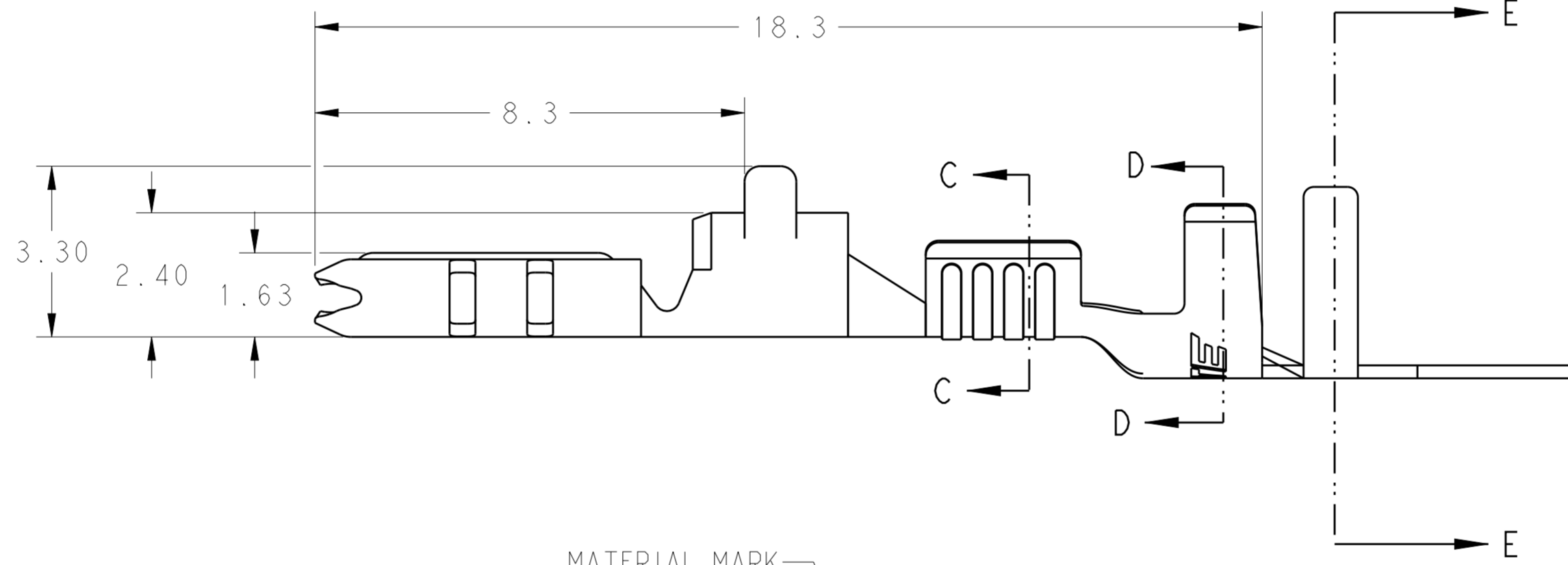
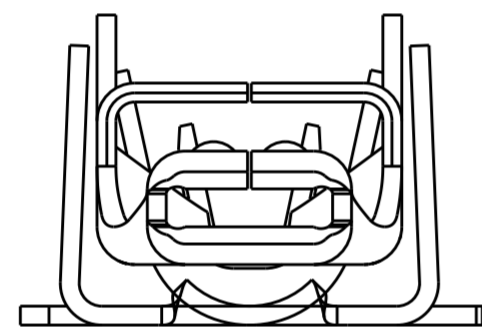
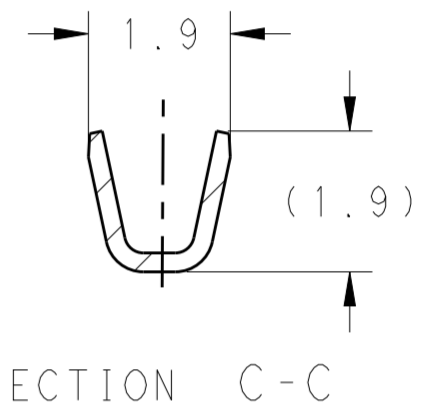
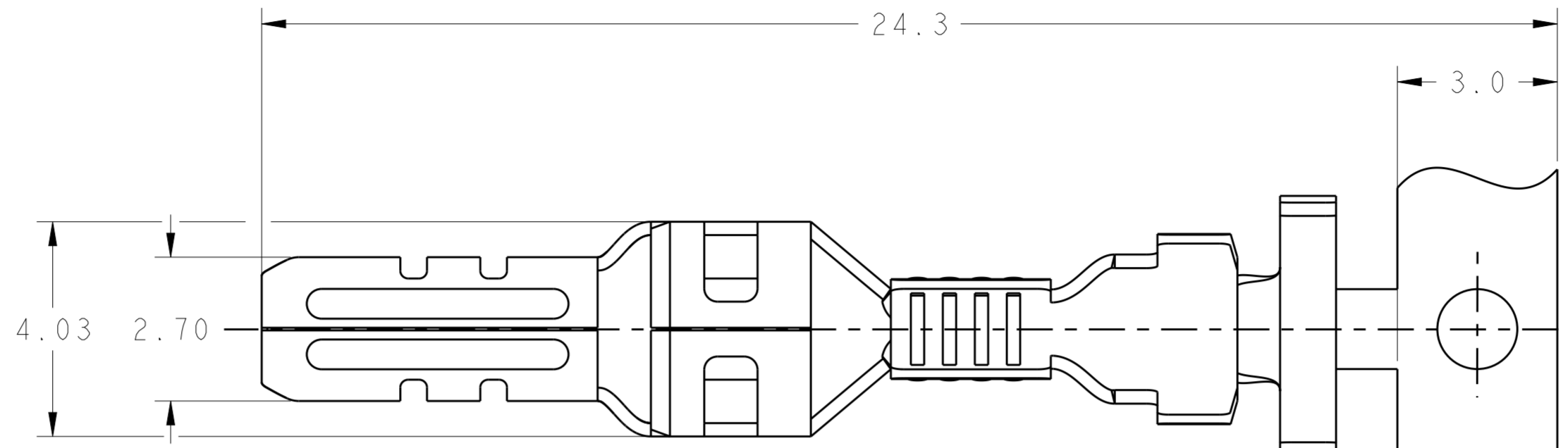
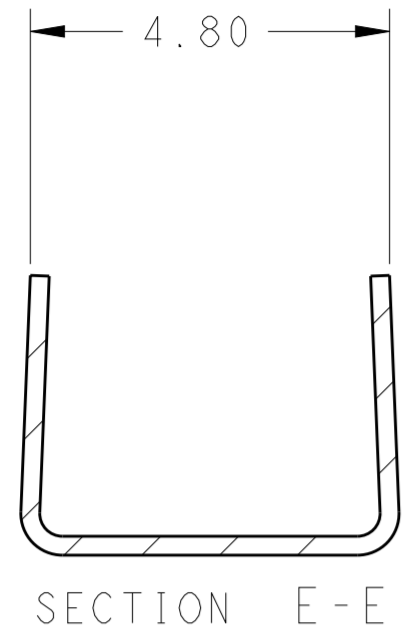


THIS DRAWING IS UNPUBLISHED. RELEASED FOR PUBLICATION 20  
 © COPYRIGHT 20 BY - ALL RIGHTS RESERVED.

LOC	DIST	REVISIONS			
P	LTR	DESCRIPTION	DATE	DWN	APVD
ES	00	D1	REVISED PER ECR-116-016321	14NOV2016	RS GJ



1. APPLICABLE WIRE: 20-22 AWG COPPER STRANDED
2. APPLICABLE INSULATION DIAMETER: 1.14-2.70mm
3. APPLICABLE MATED CAP HOUSING P/N:  
 \*-1971771-\*/\*-1971774-\*/\*-1971874-\*/  
 \*-1971772-\*/\*-1971775-\*/\*-1971875-\*/  
 \*-2232263-\*/\*-2232264-\*/\*-2232357-\*/  
 \*-2232358-\*/\*-2232359-\*/\*-2232360-\*

4. THIS PRODUCT HAS NOT COMPLETED VALIDATION TESTING.

COPPER ALLOY	HIGH(150°C)	M0	1971786-2
BRASS	STANDARD(105°C)	M8	1971786-1
MATERIAL	TEMP. RATING	MATERIAL MARK	PART NO

THIS DRAWING IS A CONTROLLED DOCUMENT.

DWN: TOMMY WU 11JUL2011	TE Connectivity <b>TAB CONTACT POWER TRIPLE LOCK</b>	
CHK: HAPYE WU 11JUL2011		
APVD: YUHONG MAO 11JUL2011		
NAME: YUHONG MAO		
DIMENSIONS: mm	TOLERANCES UNLESS OTHERWISE SPECIFIED:	PRODUCT SPEC: 108-106118
0 PLC ±	1 PLC ±0.5	APPLICATION SPEC: 114-106118
2 PLC ±0.30	3 PLC ±	WEIGHT: -
4 PLC ±	ANGLES ±	Customer Drawing
MATERIAL: SEE TABLE	FINISH: PRE-TIN	Customer Drawing

SIZE: A2	CAGE CODE: 00779	DRAWING NO: 1971786	RESTRICTED TO: -
SCALE: 5:1			SHEET 1 OF 1
REV: D1			