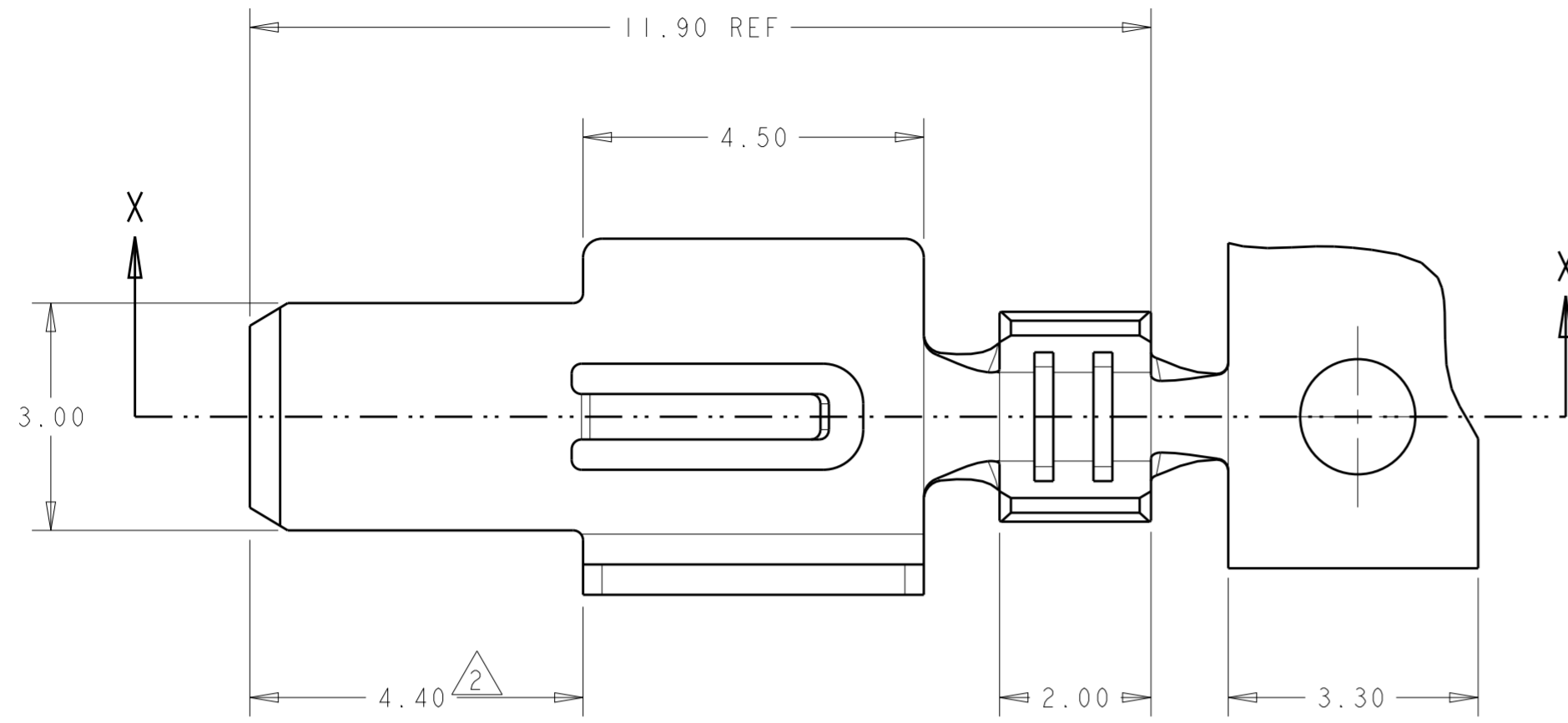
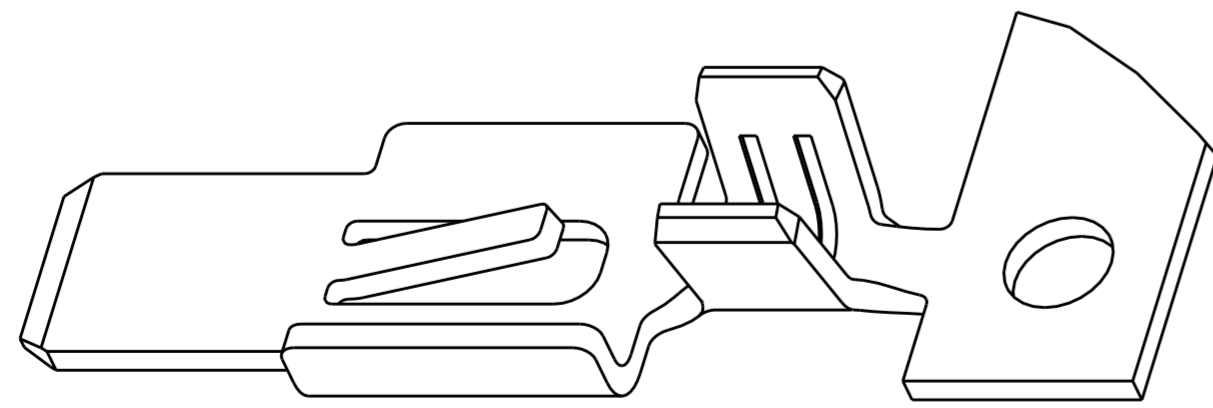
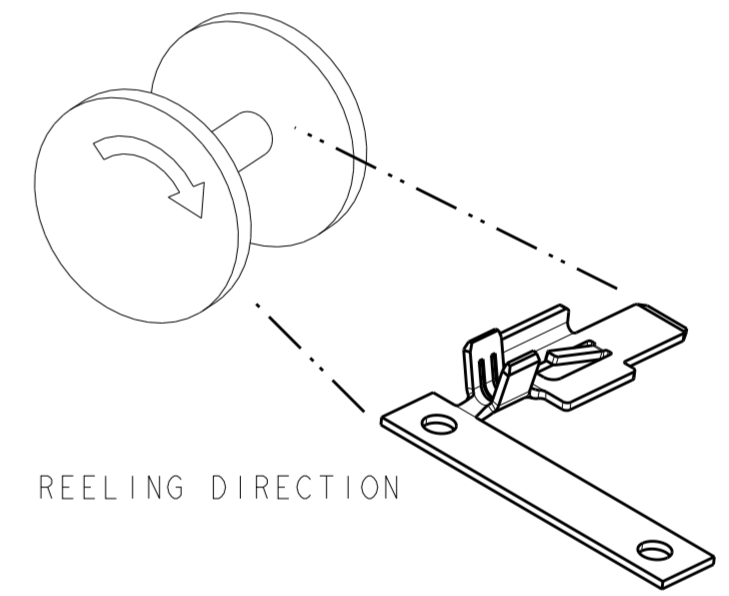
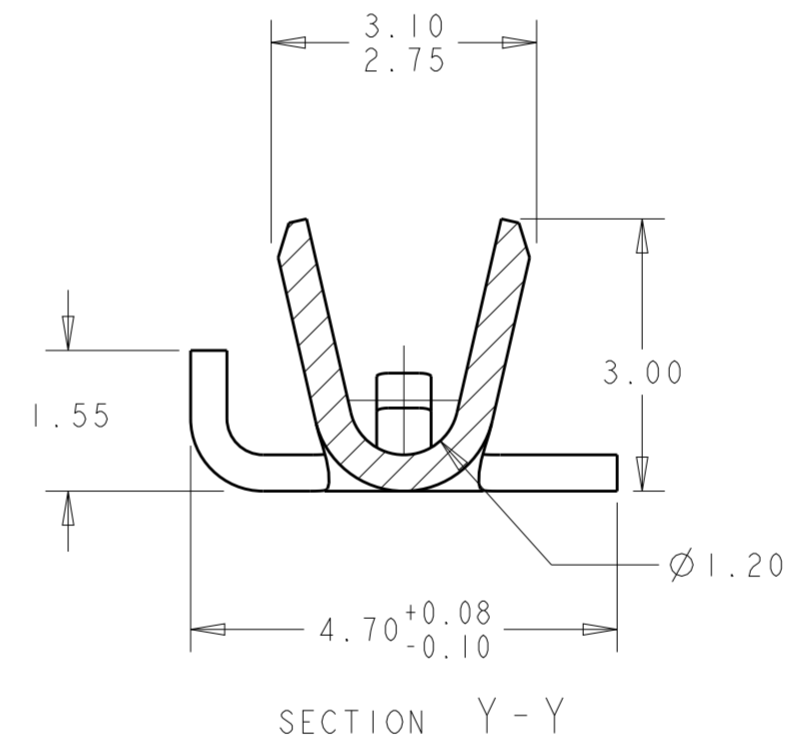
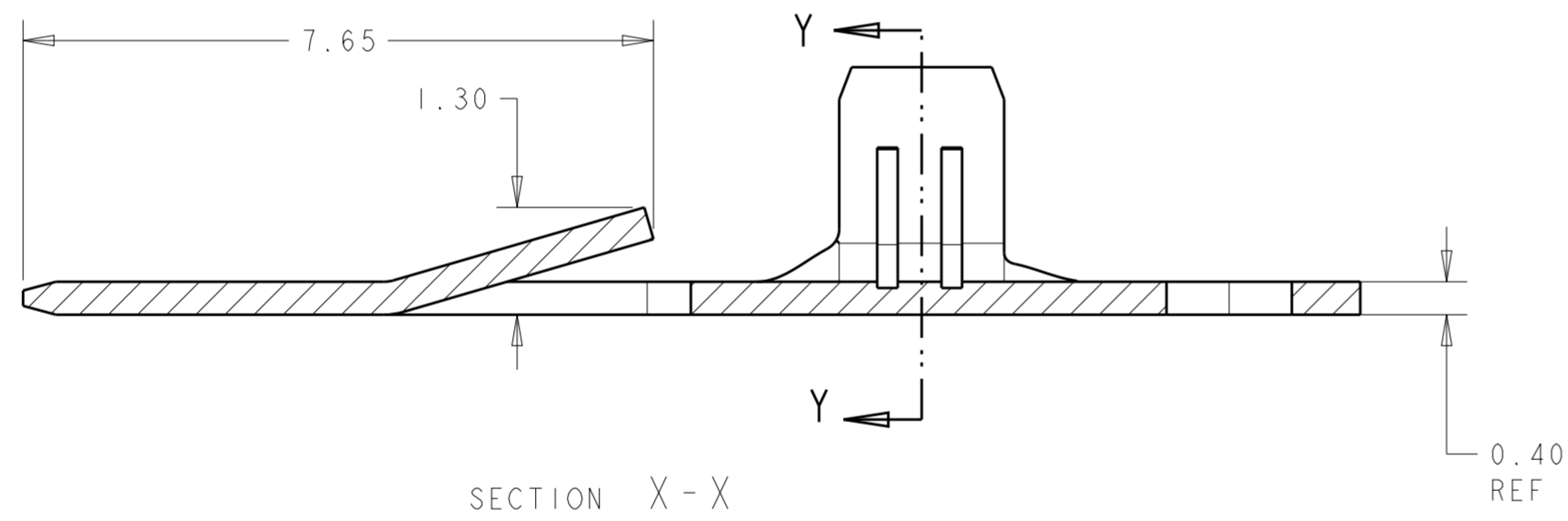


THIS DRAWING IS UNPUBLISHED. RELEASED FOR PUBLICATION 20
 © COPYRIGHT 20 BY - ALL RIGHTS RESERVED.

LOC		DIST		REVISIONS			
P	LTR	DESCRIPTION	DATE	DWN	APVD		
A		REVISED PER ECR-14-004311	27MAR2014	RS	DD		
B		REVISED PER ECR-15-012675	01SEP2015	RS	DD		



- 1 MATERIAL: 0.40±0.01, BRASS.
- 2 PLATED OVERALL WITH NICKEL, OVER GOLD IN THE ZONE IDENTIFIED, ALL OTHER AREAS PLATED OVER WITH TIN.
- 3. WIRE RANGE : 22-18 AWG.



2213374-1 SHOWN

ON STRIP	2213374-1
REMARKS	PART NO

THIS DRAWING IS A CONTROLLED DOCUMENT.		DWN RAVLS 16AUG2013	STE TE Connectivity	
		CHK D. DECKER 16AUG2013		
		APVD D. DECKER 16AUG2013	NAME BLADE CONTACT, WIRE TO BOARD CONNECTOR	
DIMENSIONS: mm		PRODUCT SPEC 108-2387	SIZE A200779	
TOLERANCES UNLESS OTHERWISE SPECIFIED: 0 PLC ± 1 PLC ±0.3 2 PLC ±0.10 3 PLC ±0.00 4 PLC ±0.0001 ANGLES ±2° FINISH		APPLICATION SPEC 114-13252	DRAWING NO C-2213374	
MATERIAL 1 - 2 -		WEIGHT -	RESTRICTED TO -	
		Customer Drawing	SCALE 1:2	SHEET 1 OF 1