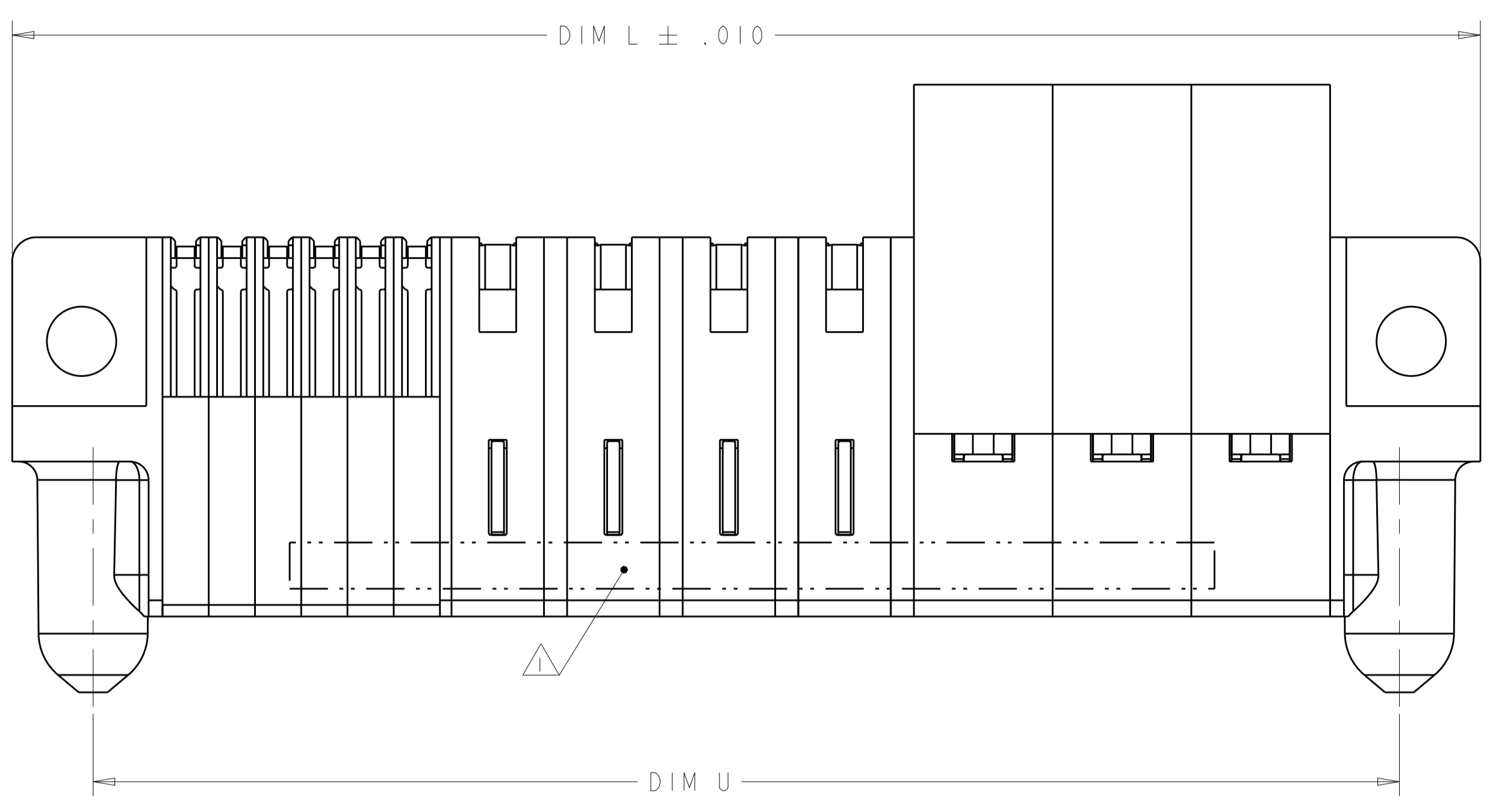
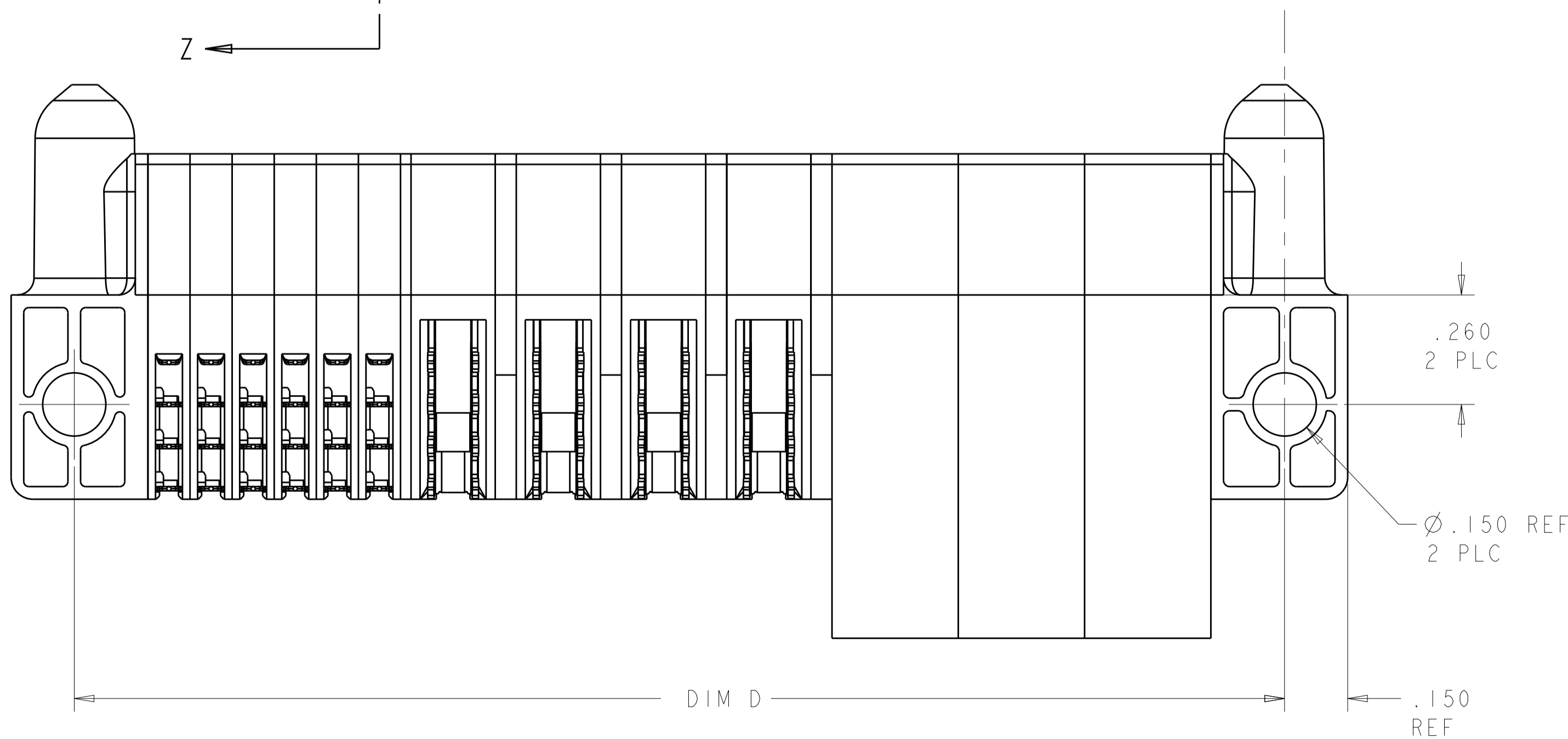
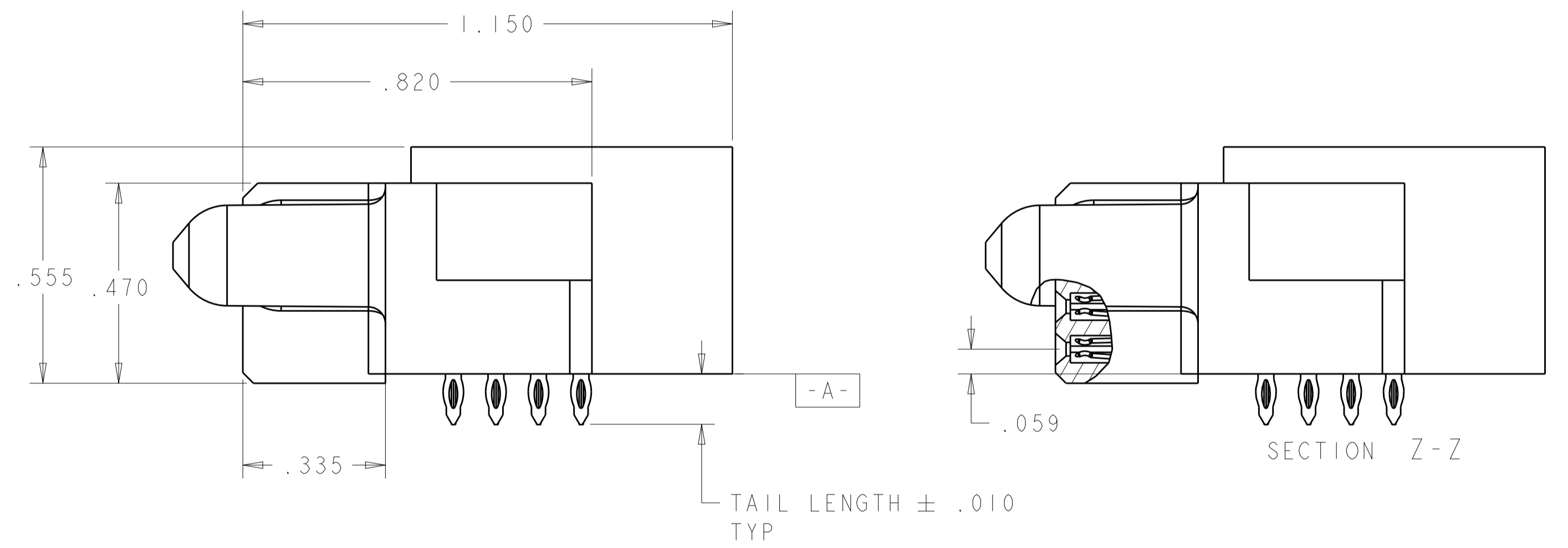
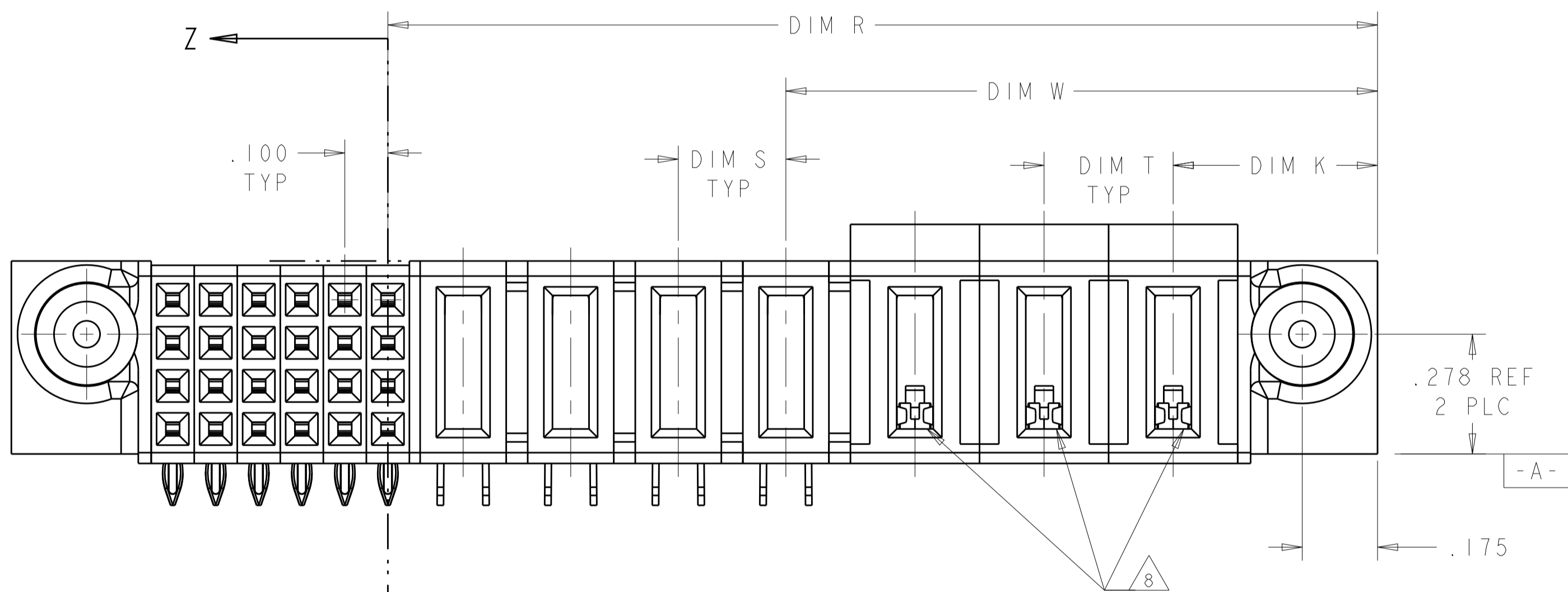


LOC	DIST	REVISIONS					
		P	LTN	DESCRIPTION	DATE	DWN	APVD
ES	00	A1		REV PER ECR-13-004638	20MAR2013	ML	SZ



- 1 "AMP", PART NUMBER AND DATE CODE TO BE MARKED
- 2 MATERIAL:
HOUSING - GLASS FILLED HIGH TEMP THERMO PLASTIC, UL94 V-0.
SIGNAL CONTACT - COPPER ALLOY
POWER CONTACT - HIGH CONDUCTIVITY COPPER ALLOY
- 3 PLATING:
NOBLE METAL PLATED ON CONTACT FUNCTIONAL AREA OF POWER AND SIGNAL CONTACTS.
- 4 MECHANICAL CONNECTOR KEEP OUT ZONE.
- 5 DATUM AND BASIC DIMENSIONS ESTABLISHED BY CUSTOMER.
- 6 PCB - ALL HOLE DIAMETERS ARE FINISHED HOLE SIZES
- 7 PCB - .0453±.0010 DRILLED HOLES PLATED WITH .0003 MIN Sn OVER .001 TO .003 Cu PLATING TO ACHIEVE A .040 DIAMETER HOLE
- 8 A/C POWER CABLE CONTACT LOADED IN THESE CAVITIES.



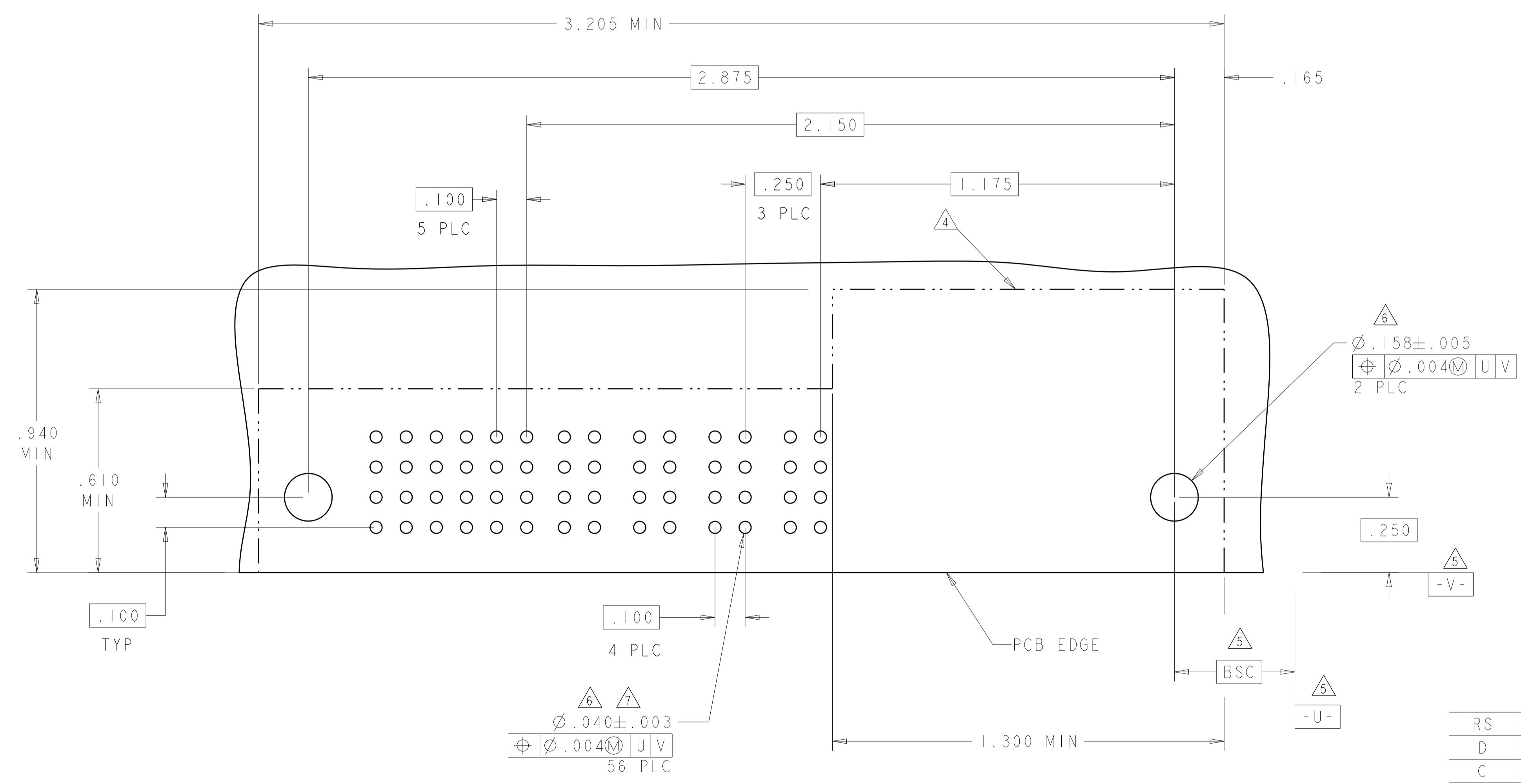
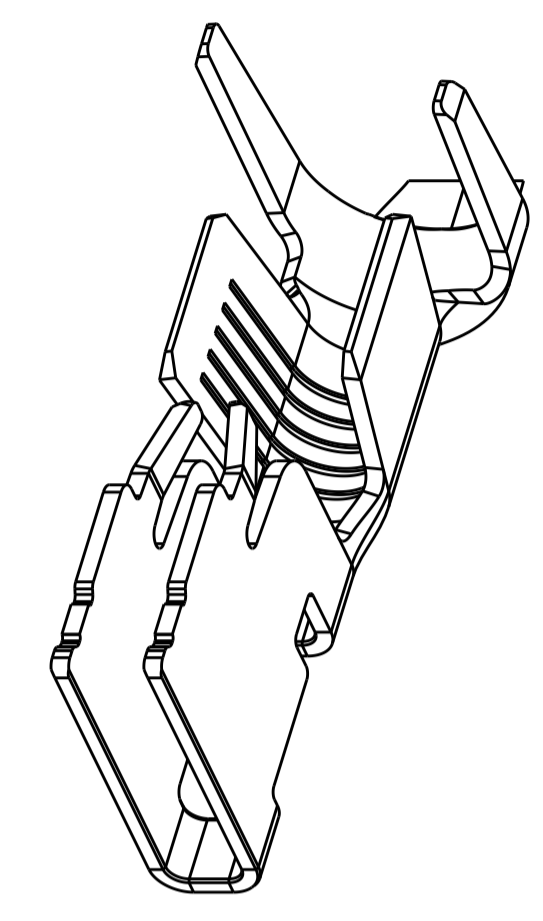
2.875	2.825	.250	.300	2.300	1.375	3.175	.475	3ACP + 4P + 24S	6450578-1
DIM D	DIM U	DIM S	DIM T	DIM R	DIM W	DIM L	DIM K	DESCRIPTION	PART NUMBER

THIS DRAWING IS A CONTROLLED DOCUMENT.		DWN: ORANDO LI 01JULY2009	TE Connectivity
DIMENSIONS: INCHES		CHK: SUNY ZHAO 01JULY2009	
TOLERANCES UNLESS OTHERWISE SPECIFIED:		APVD: STEVEN YAO 01JULY2009	
0 PLC ±. 1 PLC ±.01 2 PLC ±.01 3 PLC ±.005 4 PLC ±.0020 ANGLES ±.2		NAME: SUNY ZHAO PRODUCT SPEC: 108-1973 APPLICATION SPEC: 114-13038 WEIGHT: - CUSTOMER DRAWING	
MATERIAL: 2	FINISH: 3	SIZE: A1	CAGE CODE: 6450578 DRAWING NO: 00779 SCALE: 4:1 SHEET: 1 OF 2 REV: A1

LOC	DIST	REVISIONS			
P	LTN	DESCRIPTION	DATE	DMN	APVD
ES	00	SEE SHEET 1			

PART NUMBER	ROWS	SIGNAL						POWER						
		6	5	4	3	2	1	P7	P6	P5	P4	P3	P2	P1
6450578-1	D	D	D	D	D	D	D	RS	RS	RS	RS	MFBL	STD	STD
	C	C	C	C	C	C	C							
	B	B	B	B	B	B	B							
	A	A	A	A	A	A	A							

3ACP + 4P + 24S



CODE	DESCRIPTION	ROW
RS	POWER CONTACT, STD	-
D	SIGNAL CONTACT, PRESS-FIT	D
C	SIGNAL CONTACT, PRESS-FIT	C
B	SIGNAL CONTACT, PRESS-FIT	B
A	SIGNAL CONTACT, PRESS-FIT	A

THIS DRAWING IS A CONTROLLED DOCUMENT.

DW: ORANDO LI 01JULY2009	CHK: SUNY ZHAO 01JULY2009	APVD: STEVEN YAO 01JULY2009
TE Connectivity		
DIMENSIONS: INCHES TOLERANCES UNLESS OTHERWISE SPECIFIED: 0 PLC ±. 1 PLC ±.01 2 PLC ±.01 3 PLC ±.005 4 PLC ±.0020 ANGLES ±.2		NAME: RIGHT ANGLE RECEPTACLE ASSEMBLY A/C PASS THRU W/GUIDES MULTI-BEAM XL PRODUCT SPEC: 108-1973 APPLICATION SPEC: 114-13038 WEIGHT: - CUSTOMER DRAWING
MATERIAL: -	FINISH: -	SIZE: A1 CAGE CODE: 100779 DRAWING NO: 6450578 SCALE: 4:1 SHEET: 2 OF 2 REV: A1