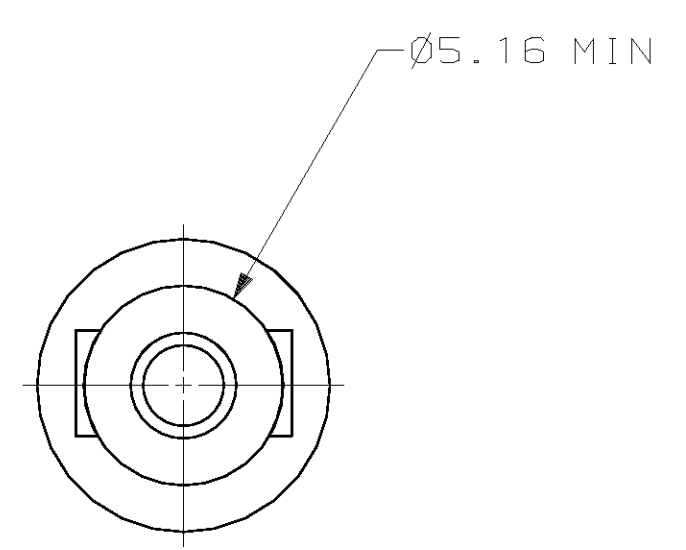
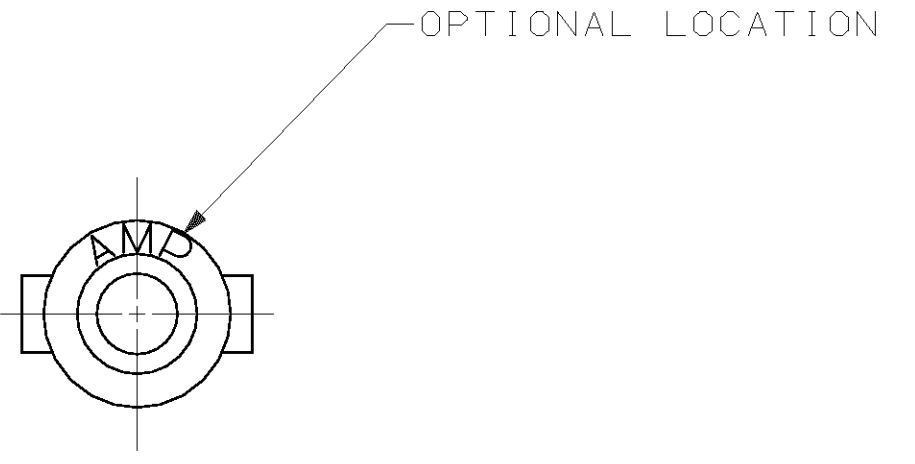
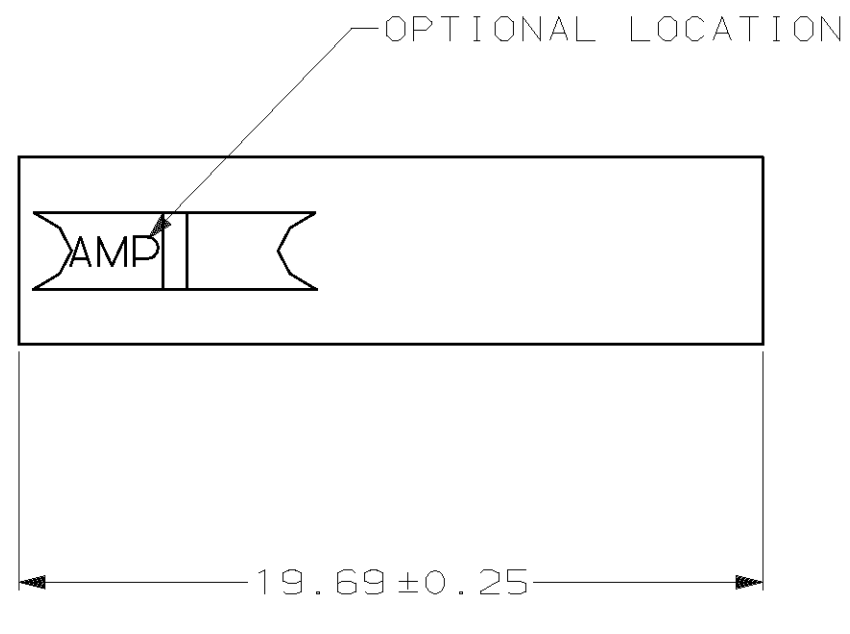
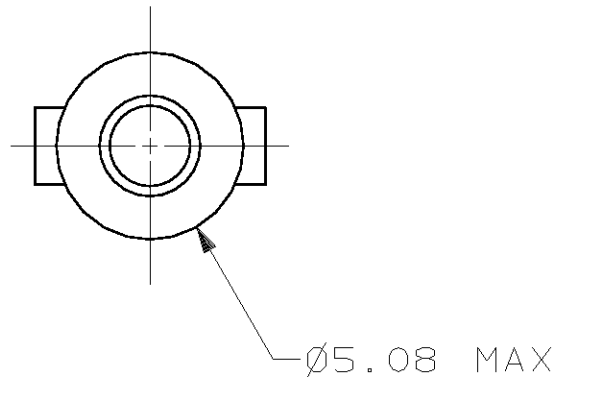
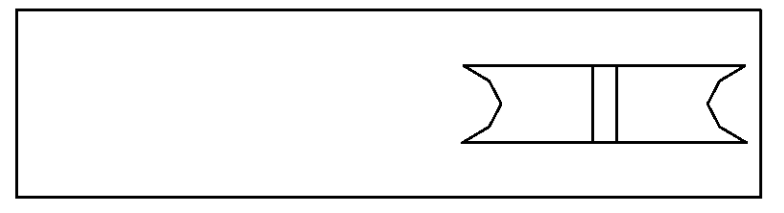
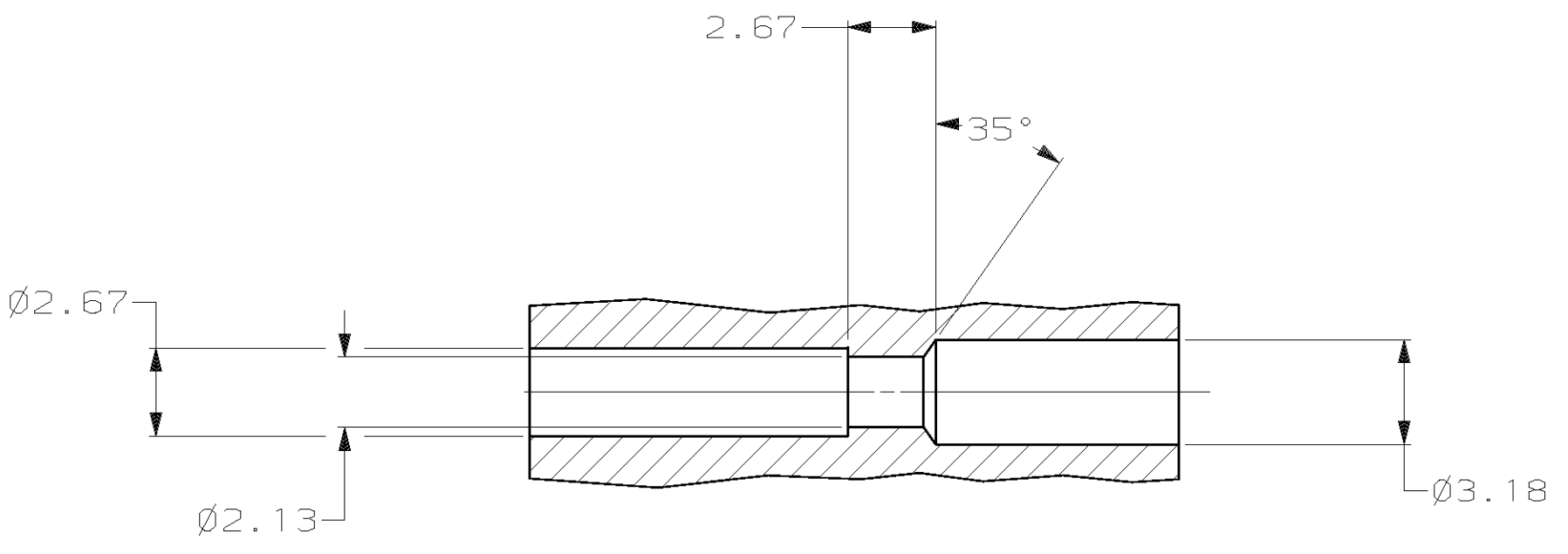


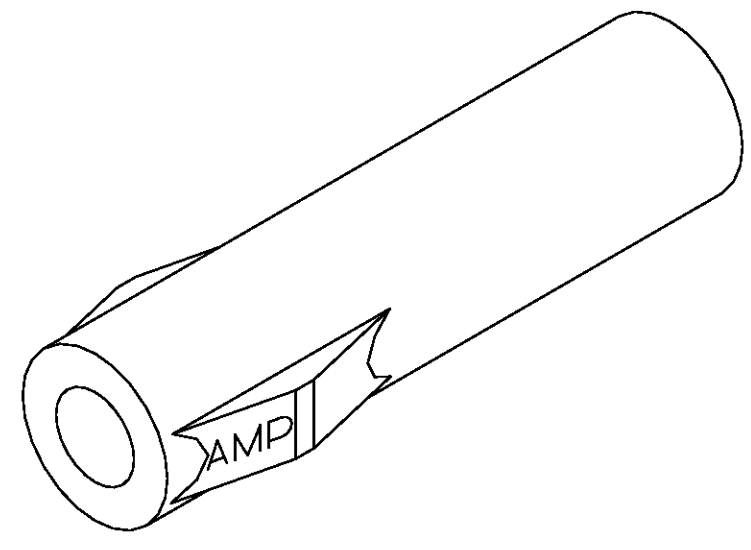
LOC		DIST		P		F		ZONE		LTR		REVISIONS		DATE	APPD	
CM	53												D	REV PER EC OL30-0096-96	11-6-96	JH RS



MATING CONNECTOR INTERFACE



TYPICAL RECEPTACLE CAVITY SECTION  
(DIMENSIONS REFERENCE ONLY)



3-DIMENSIONAL MODEL  
NTS

MM	IN	MM	IN	MM	IN
1.57	.062	3.18	.125	19.69	.775
0.25	.010	2.67	.105	5.16	.203
0.13	.005	2.13	.084	5.08	.200
MM	IN	MM	IN	MM	IN

CONVERSION TABLE

**METRIC**

THIS DRAWING IS A CONTROLLED DOCUMENT FOR AMP INCORPORATED. IT IS SUBJECT TO CHANGE AND THE CONTROLLING ENGINEERING ORGANIZATION SHOULD BE CONTACTED FOR THE LATEST REVISION.

DO NOT SCALE PRINT. UNLESS SPECIFIED DIMENSIONS IN mm (INCHES) TOLERANCES ON: 2 PLC DEC ± 0.13 3 PLC DEC ± - ANGLES ± -		DR 2-15-94 K. WHITAKER	AMP Incorporated Harrisburg, PA 17105-3608	
MATERIAL NYLON, UL 94V-2 NATURAL	CHK 2-15-94 R. SWING	APPD 2-17-94 C. CASH		
FINISH -	APPD 2-17-94 C. CASH	PRODUCT SPEC -	NAME RECEPTACLE, 1 CIRCUIT, .062 PIN AND SOCKET	
WEIGHT -	APPLICATION SPEC -	SCALE 5:1	SIZE D	CAGE CODE 00779
		DRAWING NO C-770277		SHEET 1 OF 1

770277-1  
PART NO