

NOTES:

1. MATERIALS AND FINISHES:
 FERRULE - COPPER, NICKEL PLATING
 SHELL - BRASS, NICKEL PLATING
 GASKET - SILICONE RUBBER, RED
 SPRING - BeCu, NICKEL PLATING
 WASHER - BRASS, NICKEL PLATING
 BODY - BRASS, NICKEL PLATING
 OUTER CONTACT - PHOSPHOR BRONZE, NICKEL PLATING
 CONTACT PIN - BRASS, GOLD PLATING
 INSULATOR - PTFE, NATURAL

2. ELECTRICAL:
 A. IMPEDANCE: 75 OHM
 D. D.W.V: 1500 VRMS, MIN.

3. MECHANICAL:
 A. DURABILITY: 500 CYCLES MIN.
 B. TEMPERATURE RANGE: -65°C TO +165°C

4. PACKAGING:
 A. QUANTITY: SINGLE PACK
 B. MARKING: BAG TO BE MARKED "AMPHENOL RF, 31-71035, AND DATE CODE"

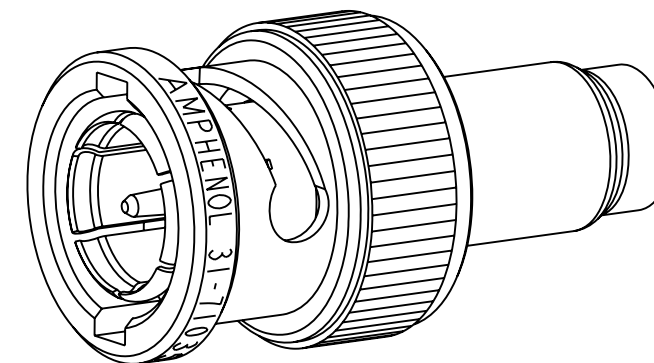
5. CABLE ASSEMBLY INSTRUCTIONS:
 A. TRIM CABLE AS SHOWN.
 B. SLIDE FERRULE ONTO THE CABLE.
 C. SOLDER CABLE CENTER CONDUCTOR TO CENTER CONTACT.
 WHEN CRIMPING CONTACT PIN TO CABLE, CRIMP WITH AMPHENOL TOOL 227-944 (M22520/5-01) AND DIE SET 227-1221-13 CAVITY B (M22520/5-13 CLOSURE 'B') (.068" HEX)
 D. WHEN CRIMPING FERRULE TO CABLE, CRIMP WITH AMPHENOL TOOL 227-944 (M22520/5-01) AND DIE SET 227-1221-13 CAVITY A (M22520/5-13 CLOSURE 'A') (.255" HEX)

6 SHOWS CABLE ENTRY DIMENSIONS.

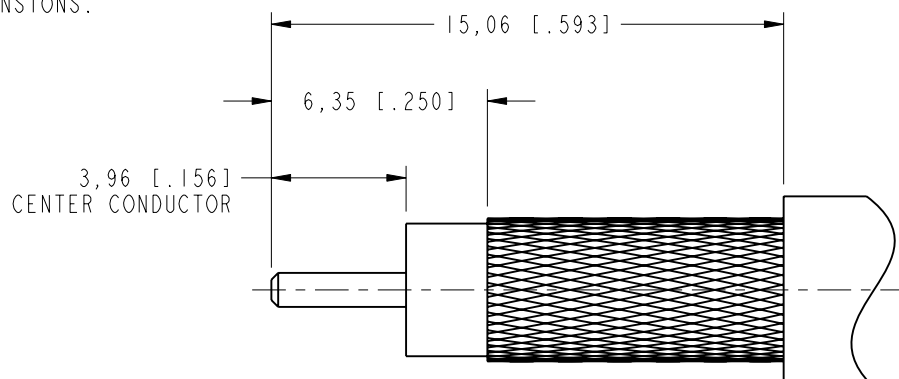
THIRD ANGLE PROJ.

REVISIONS

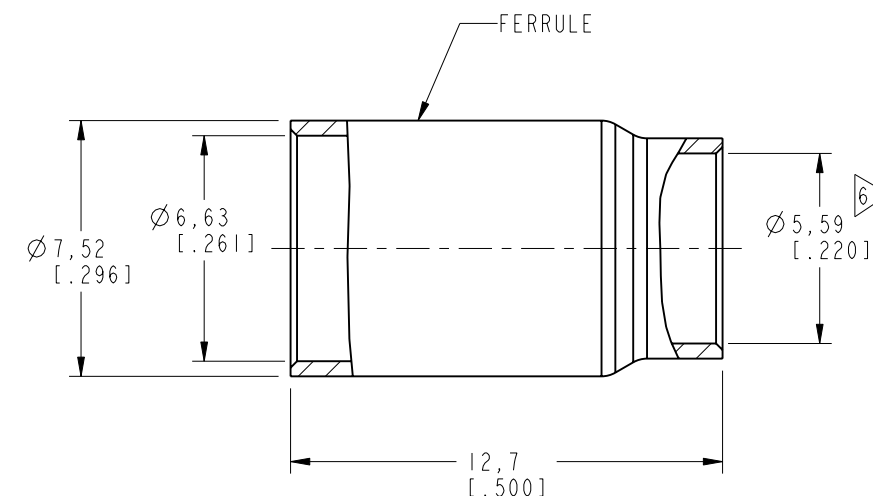
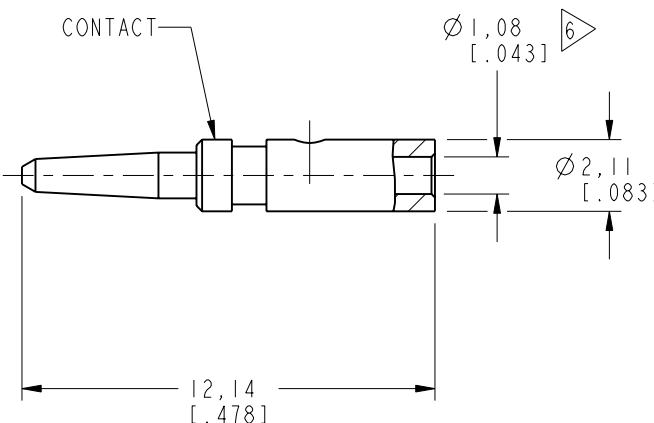
| REV | DESCRIPTION | DATE | ECO | APPR |
|-----|------------------------------|-----------|-------|------|
| A | RELEASE TO MFG. | -- | -- | -- |
| C | SEE SHEET 1 / RD-DM09090201K | 15-Sep-09 | 47758 | SH |
| D | REDRAWN IN PRO-E\N/A | 25-May-15 | 50436 | SH |



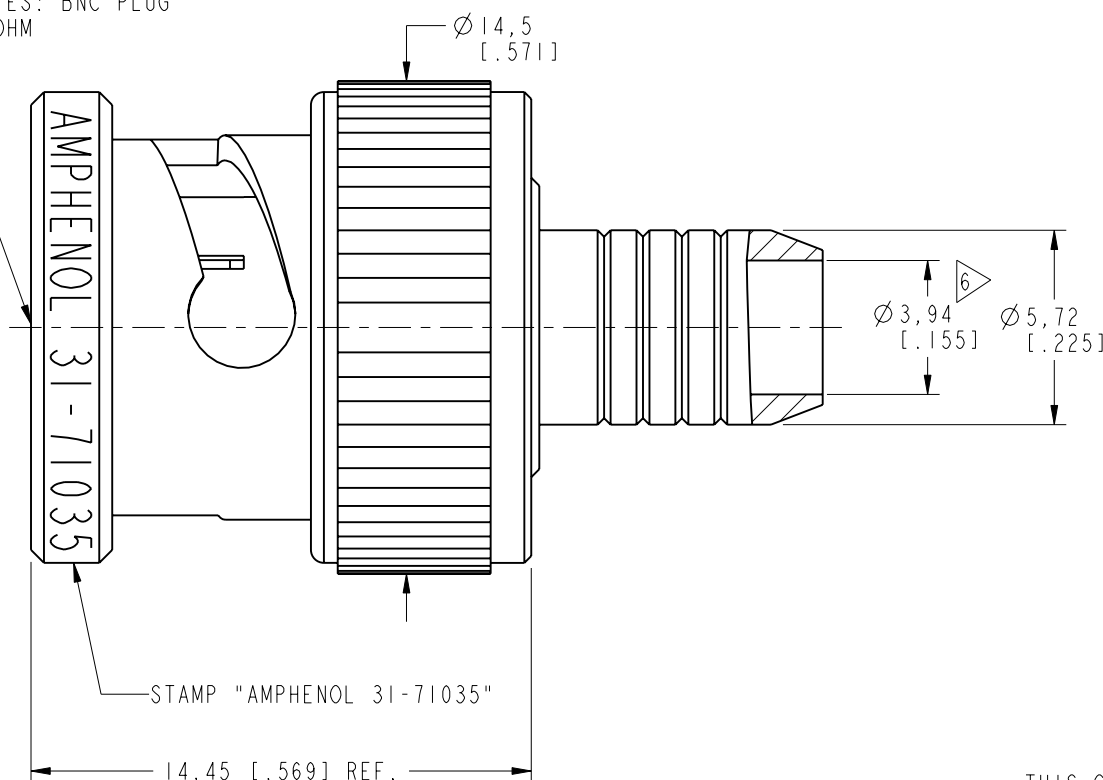
SCALE 3.000



RECOMMENDED CABLE STRIPPING DIMENSIONS



INTERFACE PER MIL-STD-348 SERIES: BNC PLUG 75 OHM



THIS CONNECTOR IS COVERED BY US PATENT 3,336,536

CUSTOMER OUTLINE DRAWING

ALL OTHER SHEETS ARE FOR INTERNAL USE ONLY

| | | | | | |
|---|------------------------------|-----------|-----------|---|--|
| UNLESS OTHERWISE SPECIFIED, DIMENSIONS ARE IN METRIC AND TOLERANCES ARE: <0.5mm ±0.05mm 0.5 - 6mm ±0.1mm 6 - 30mm ±0.2mm 30 - 120mm ±0.3mm ANGLES ±1° | MATERIAL | DRAWN | DATE | TITLE 75 OHM BNC STR PLUG QUICK CRIMP (FOR 20 AWG PLENUM 59 CABLE) | Amphenol RF www.amphenolrf.com |
| | SEE NOTES | M. ZHANG | 20-May-15 | | |
| NOTICE - These drawings, specifications, or other data (1) are, and remain the property of Amphenol corp. (2) must be returned upon request; and (3) are confidential and not to be disclosed to any person other than those to whom they are given by Amphenol Corp. the furnishing of these drawings, specifications, or other data by Amphenol Corp., or to any other person to anyone for any purpose is not to be regarded by implication or otherwise in any manner licensing, granting rights to permitting such holder or any other person to manufacture, use or sell any product, process or design, patented or otherwise, that may in any way be related to or disclosed by said drawings, specifications, or other data. | REFERENCE | ENGINEER | DATE | SCALE: 4.5:1.0 | DRAWING NO. 31-71035 ITEM NO. 31-71035 PART NO. 31-71035 |
| | EAR 961829-0 | CISSY | 28-Feb-08 | SHEET 2 OF 2 | |
| | CONFIGURATION LEVEL: In Work | APPROVED | DATE | | REV |
| FINISH | S. HSIEH | 20-May-15 | | D | |
| | | CAD FILE | | DWG SIZE B | |