

4

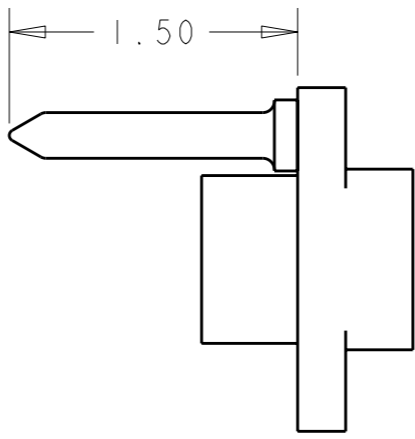
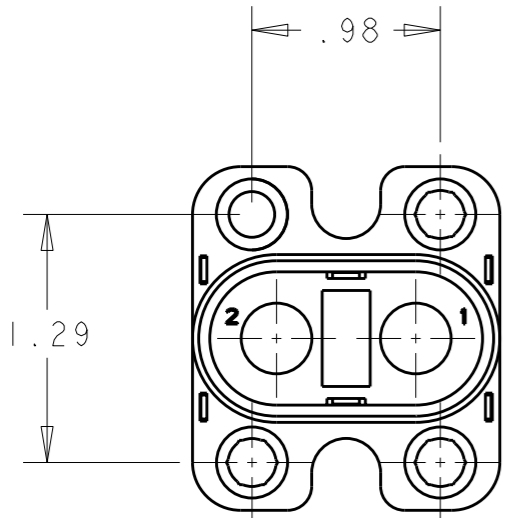
3

2

1

THIS DRAWING IS UNPUBLISHED. RELEASED FOR PUBLICATION 20
© COPYRIGHT 20 BY TYCO ELECTRONICS CORPORATION. ALL RIGHTS RESERVED.

LOC	DIST	REVISIONS			
P	LTR	DESCRIPTION	DATE	DWN	APVD
GP	00				
	A	INITIAL RELEASE	26SEP2006	GIP	DO
	B	REVISED PER ECO-06-027848	29NOV2006	GIP	DO

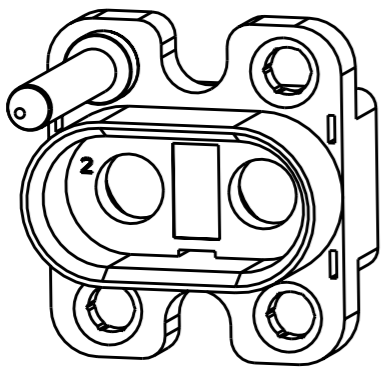


- PART NUMBER CHANGES AND/OR DESIGN CHANGES AFFECTING THE INTERCHANGEABILITY REQUIRES PRIOR TYCO APPROVAL AND AUTHORIZATION BY REVISION TO THIS DRAWING.
- MATERIAL: INSULATOR: THERMOPLASTIC, GLASS REINFORCED, FLAMMABILITY RATED, COLOR: BLACK
GUIDE PIN: STAINLESS STEEL
LOCKING COLLAR: STAINLESS STEEL

3 ITEMS PROVIDED TO THIS SPECIFICATION TO BE PERMANENTLY IDENTIFIED PER THE FOLLOWING IDENTIFIER:

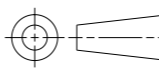
YEAR WEEK
 TYCO PART NUMBER DATE CODE (i.e. 0216)
 XXXXXXXX-X XXXX

4. TYCO PART NUMBER : 1926236-1 MARKED/LABEL 3



P/N 1926236-1

1926236-1
PART NUMBER

<small>THIS DRAWING IS A CONTROLLED DOCUMENT FOR TYCO ELECTRONICS CORPORATION IT IS SUBJECT TO CHANGE AND THE CONTROLLING ENGINEERING ORGANIZATION SHOULD BE CONTACTED FOR THE LATEST REVISION.</small>		DWN G. PETERS 26SEP2006 CHK D. ORRIS 26SEP2006 APVD S. FLICKINGER 26SEP2006		tyco Tyco Electronics Electronics Harrisburg, PA 17105-3608	
DIMENSIONS: INCHES 		TOLERANCES UNLESS OTHERWISE SPECIFIED: 0 PLC ±. 1 PLC ±.1 2 PLC ±.02 3 PLC ±.010 4 PLC ±.0005 ANGLES ±.5		NAME DUALPOWER CONNECTOR PIN HOUSING W/M3 INT THD GUIDE PINS	
MATERIAL -		FINISH -		SIZE A3 CAGE CODE 00779 DRAWING NO C-1926236 RESTRICTED TO -	
ELCON DRAWER		CUSTOMER DRAWING		SCALE 1 OF 2 REV B	

4

3

2

1

THIS DRAWING IS UNPUBLISHED.

RELEASED FOR PUBLICATION

20

© COPYRIGHT 20

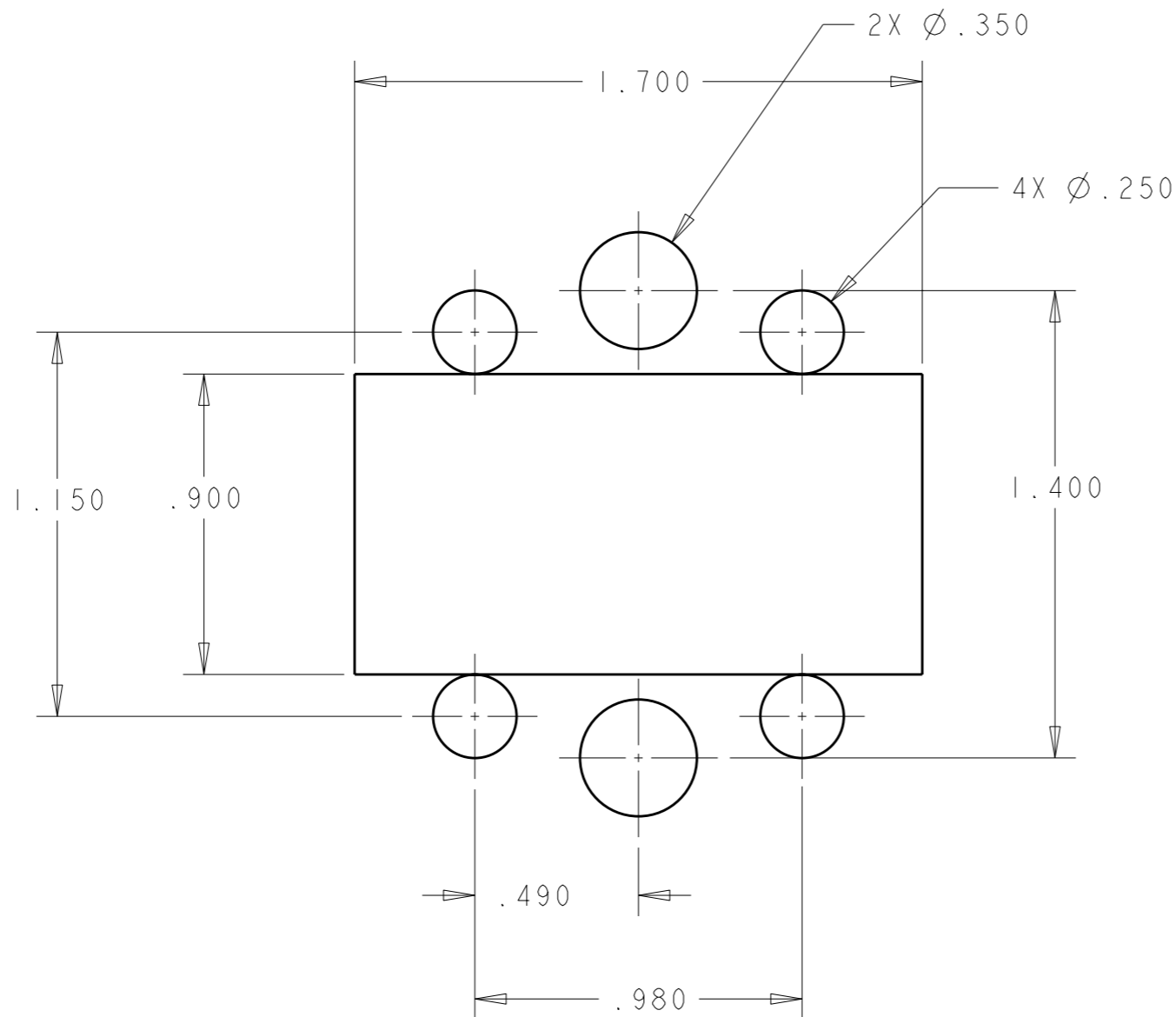
BY TYCO ELECTRONICS CORPORATION. ALL RIGHTS RESERVED.

LOC
GP

DIST
00

REVISIONS

P	LTR	DESCRIPTION	DATE	DWN	APVD
-	-	SEE SHEET 1	-	-	-



THIS DRAWING IS A CONTROLLED DOCUMENT FOR TYCO ELECTRONICS CORPORATION
IT IS SUBJECT TO CHANGE AND THE CONTROLLING ENGINEERING ORGANIZATION
SHOULD BE CONTACTED FOR THE LATEST REVISION.

DIMENSIONS: INCHES	TOLERANCES UNLESS OTHERWISE SPECIFIED:
	0 PLC ±-
	1 PLC ±.1
	2 PLC ±.02
	3 PLC ±.010
	4 PLC ±.0005
	ANGLES ±.5
MATERIAL -	FINISH -

DWN	G.PETERS	26SEP2006
CHK	D.ORRIS	26SEP2006
APVD	S.FLICKINGER	26SEP2006
PRODUCT SPEC	-	
APPLICATION SPEC	-	
WEIGHT	-	

tyco Electronics		Tyco Electronics Harrisburg, PA 17105-3608	
NAME DUALPOWER CONNECTOR PIN HOUSING W/M3 INT THD GUIDE PINS			
SIZE	CAGE CODE	DRAWING NO	RESTRICTED TO
A3	00779	C-1926236	-

CUSTOMER DRAWING SCALE 1:1 SHEET 2 OF 2 REV B