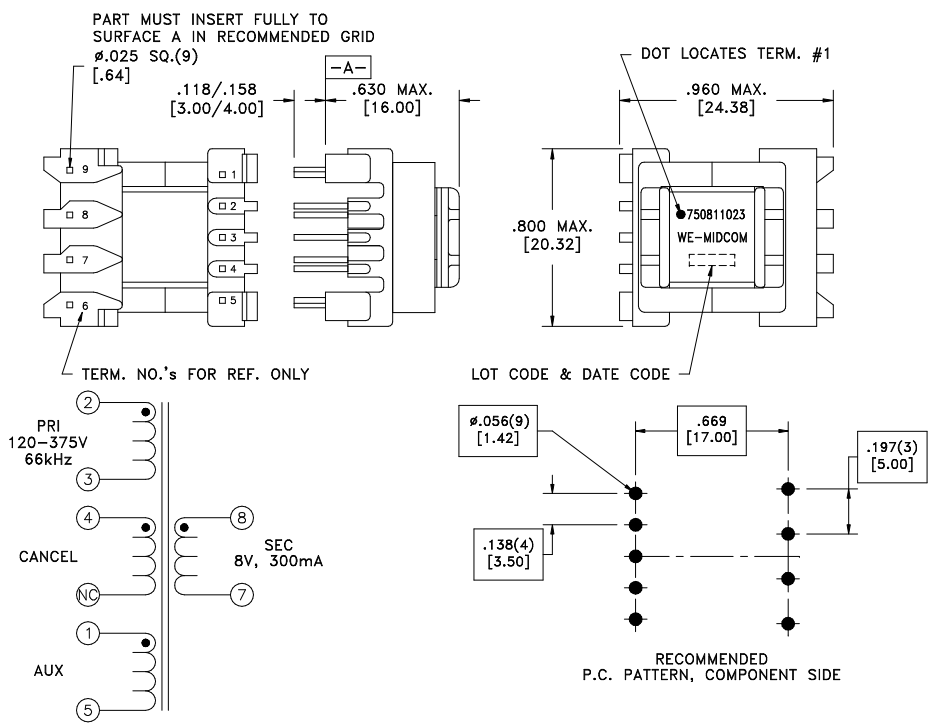


CUSTOMER TERMINAL	RoHS	LEAD(Pb)-FREE
Sn96%, Ag4%	Yes	Yes

more than you expect



ELECTRICAL SPECIFICATIONS @ 25°C unless otherwise noted:

PARAMETER	TEST CONDITIONS	VALUE
D.C. RESISTANCE	1-5 @20°C	0.035 ohms ±20%
D.C. RESISTANCE	2-3 @20°C	2.15 ohms ±10%
D.C. RESISTANCE	7-8 @20°C	0.025 ohms ±20%
INDUCTANCE	2-3 10kHz, 100mVAC, Ls	2.28mH ±10%
SATURATION CURRENT	20% rolloff from initial	300mA
LEAKAGE INDUCTANCE	2-3 tie(1+5, 7+8), 100kHz, 100mVAC, Ls	30uH typ., 45.0uH max.
DIELECTRIC RAIING	1-8 4500VAC, 1 second	4500VAC, 1 minute
DIELECTRIC RATING	2-8 4500VAC, 1 second	4500VAC, 1 minute
DIELECTRIC RATING	1-2 625VAC, 1 second	500VAC, 1 minute
TURNS RATIO	(2-3):(1-5)	12:1, ±2%
TURNS RATIO	(2-3):(8-7)	10.8:1, ±2%

GENERAL SPECIFICATIONS:

OPERATING TEMPERATURE RANGE: -40°C to +125°C including temp rise.

Designed to comply with the following requirements as defined by IEC61558-2-17:  
 - Reinforced insulation for a primary circuit at a working voltage of 400VDC.

REV.	DATE	Packaging Specifications Method: Tray PKG-0058 www.midcom-inc.com		Tolerances unless otherwise specified: Angles: ±1°      Decimals: ±.005 [.13] Fractions: ±1/64      Footprint: ±.005 [.127]	DRAWING TITLE <b>TRANSFORMER</b>	PART NO. <b>750811023</b>
6A	3/09	SEE REVISION SHEET FOR REVISION LEVEL	CONVENTION PLACEMENT	This drawing is dual dimensioned. Dimensions in brackets are in millimeters.	eiSos p/n: 750811023	SPECIFICATION SHEET 1 OF 1