

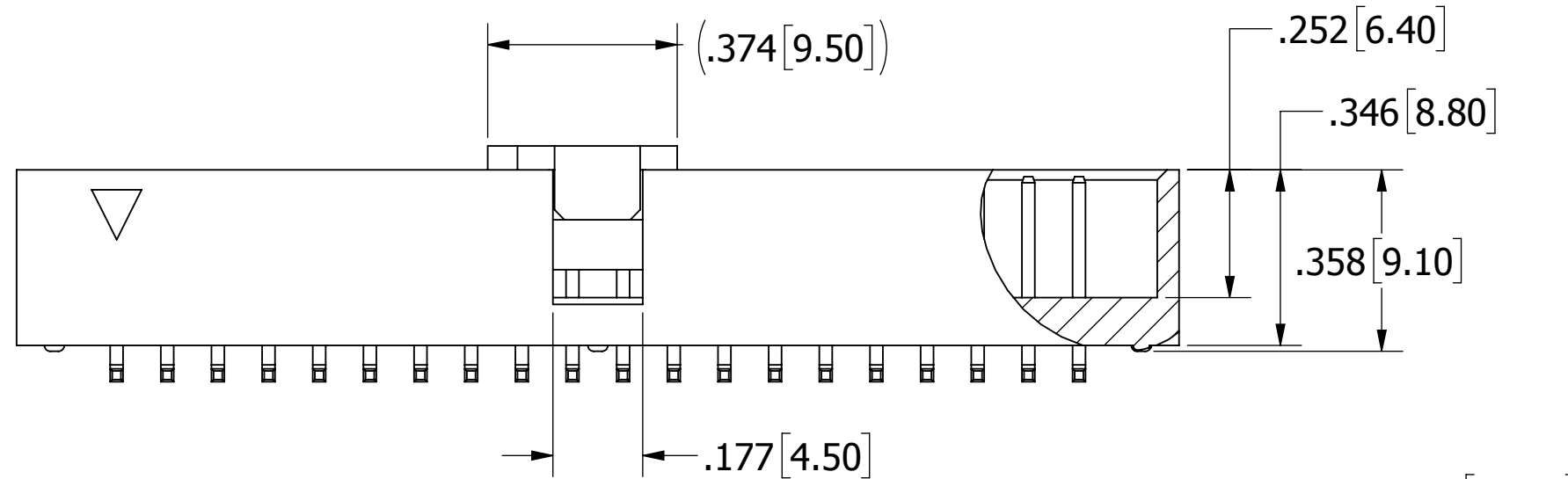
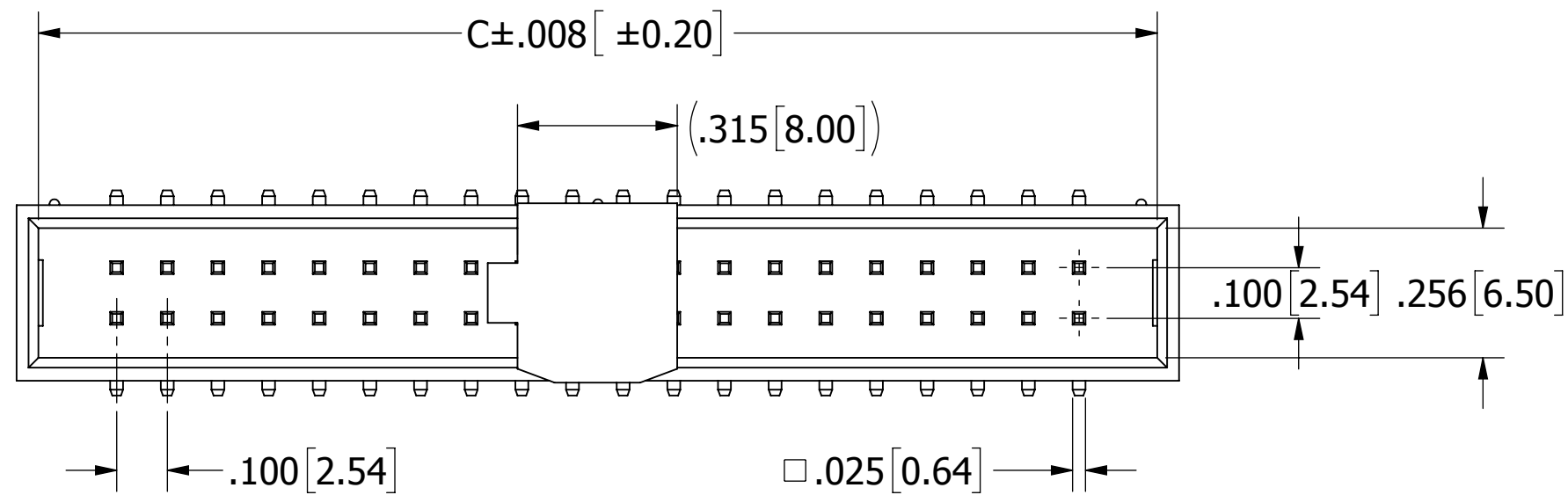
PART NUMBER CODING

SBH11-NBPC-D -SM-BK-M81

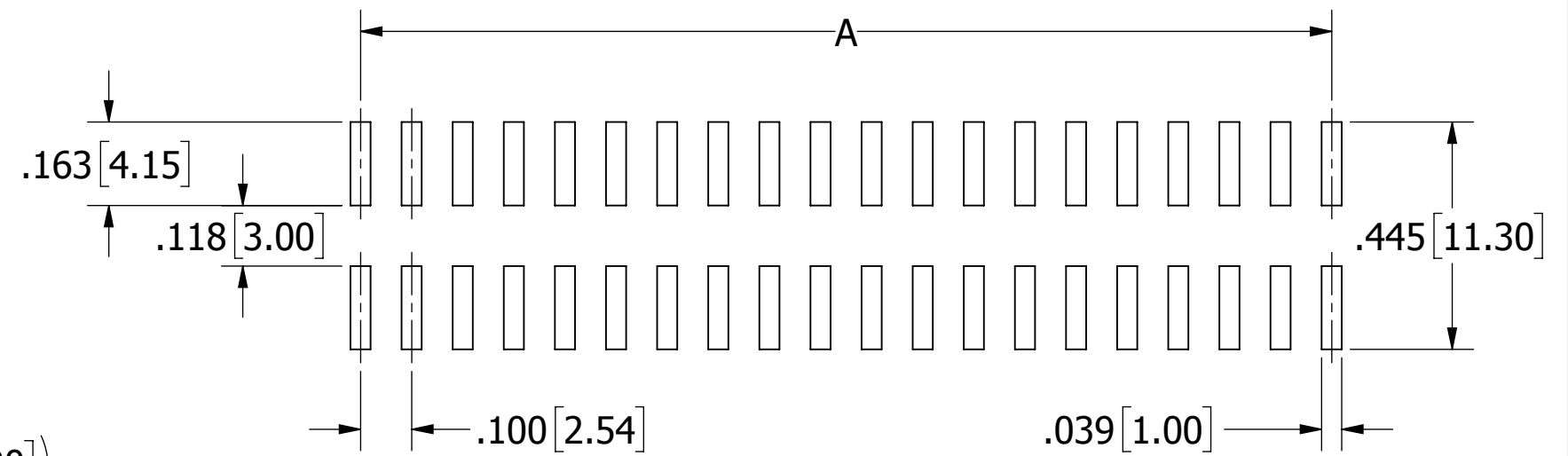
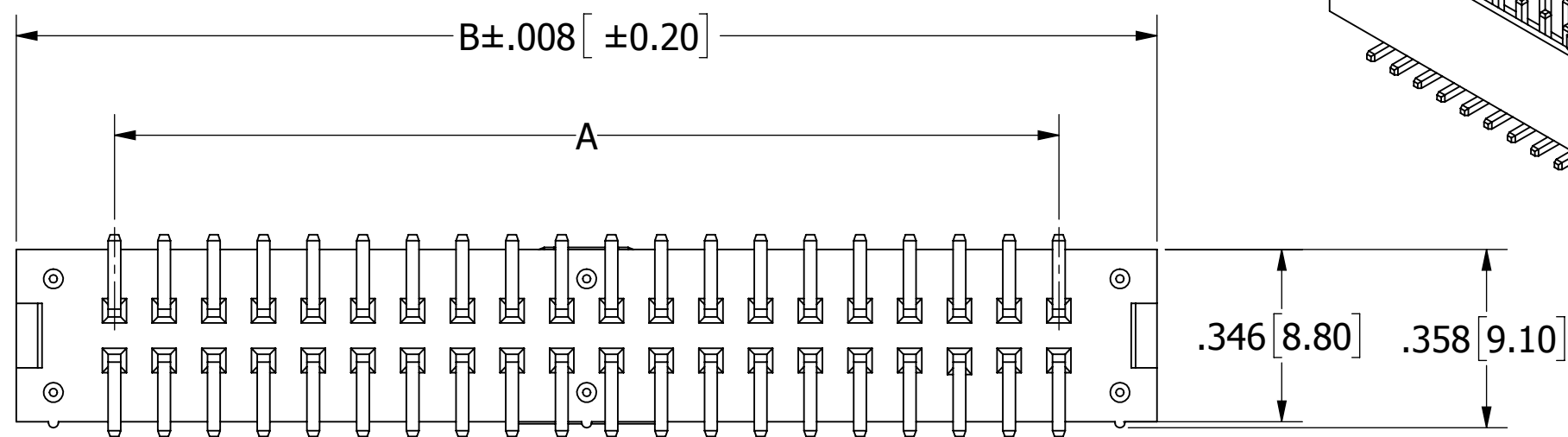
NUMBER OF POSITIONS
(CONTACTS PER ROW)

TERMINATION
SURFACE MOUNT

REVISIONS				
REV.	ECO. NO	DESCRIPTION	DATE	BY
A	3068	INITIAL RELEASE	09/23/2014	LH
B	3262	UPDATE T&R QUANTITY ON PAGE 2 NOTE 6 AND DIM 'P' ON PAGE 2 TO 20mm (WAS 24mm)	06/08/2015	LH
C	3708	UPDATE T&R 'W' DIMENSION ON PAGE 2, ADD WARP AND GEOMETRIC TOLERANCE	07/12/2017	LH



03 - 10, .008 [0.20] MAX.
12 - 25, .012 [0.30] MAX.

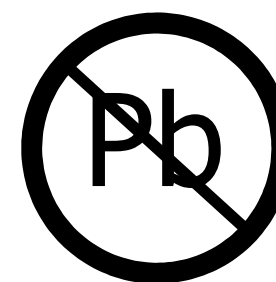


RECOMMENDED PCB LAYOUT

⌒ .004 [0.10] FOR 03-20 POSITIONS
⌒ .005 [0.12] FOR 25 POSITION

PART NUMBER	POSITIONS/ CONTACTS	A		B		C	
		INCH	MM	INCH	MM	INCH	MM
SBH11-NBPC-D03-SM-BK-M81	03/06	0.200	5.08	0.595	15.12	0.509	12.92
SBH11-NBPC-D04-SM-BK-M81	04/08	0.300	7.62	0.695	17.66	0.609	15.46
SBH11-NBPC-D05-SM-BK-M81	05/10	0.400	10.16	0.795	20.20	0.709	18.00
SBH11-NBPC-D06-SM-BK-M81	06/12	0.500	12.70	0.895	22.74	0.809	20.54
SBH11-NBPC-D07-SM-BK-M81	07/14	0.600	15.24	0.995	25.28	0.909	23.08
SBH11-NBPC-D08-SM-BK-M81	08/16	0.700	17.78	1.095	27.82	1.009	25.62
SBH11-NBPC-D10-SM-BK-M81	10/20	0.900	22.86	1.295	32.90	1.209	30.70
SBH11-NBPC-D12-SM-BK-M81	12/24	1.100	27.94	1.495	37.98	1.409	35.78
SBH11-NBPC-D13-SM-BK-M81	13/26	1.200	30.48	1.595	40.52	1.509	38.32
SBH11-NBPC-D15-SM-BK-M81	15/30	1.400	35.56	1.795	45.60	1.709	43.40
SBH11-NBPC-D17-SM-BK-M81	17/34	1.600	40.64	1.995	50.68	1.909	48.48
SBH11-NBPC-D20-SM-BK-M81	20/40	1.900	48.26	2.295	58.30	2.209	56.10
SBH11-NBPC-D25-SM-BK-M81	25/50	2.400	60.96	2.795	71.00	2.709	68.80

- NOTES:
- INSULATOR MATERIAL: NYLON 9T, UL 94V-0, COLOR: BLACK
 - CONTACT MATERIAL: BRASS
 - CONTACT PLATING: .000030" - .000050" NICKEL UNDERPLATE, GOLD FLASH OVERALL.
 - CONTACT RESISTANCE: 20 MILLIOHMS MAX
 - INSULATOR RESISTANCE: 5000 MEGAOHMS MIN
 - CURRENT RATING: 3 AMPS
 - DIELECTRIC WITHSTANDING: 1000 V AC
 - OPERATING TEMPERATURE: -40°C TO +105°C
 - PROCESSING TEMP.: 230° C MAX FOR 60 SECONDS
(260° C MAX FOR 10 SECONDS)
 - MODIFICATION: WITH PICK & PLACE CAP IN TAPE & REEL.



RoHS COMPLIANT

UNLESS OTHERWISE SPECIFIED: DIMENSIONS ARE IN INCHES[MM]

TOLERANCES:
ANGULAR: ±
DECIMALS
.XX = .01 [0.3]
.XXX = .008 [0.20]
.XXXX = .004 [0.100]

DRAWN: 09/23/2014
DATE: 09/23/2014
NAME: LH

THE INFORMATION HEREIN CONTAINS PROPRIETARY INFORMATION OF SULLINS ELECTRONICS AND IS NOT TO BE REPRODUCED, USED OR DISCLOSED TO OTHERS FOR ANY PURPOSE EXCEPT AS SPECIFICALLY AUTHORIZED IN WRITING BY AN OFFICER OF SULLINS ELECTRONICS.

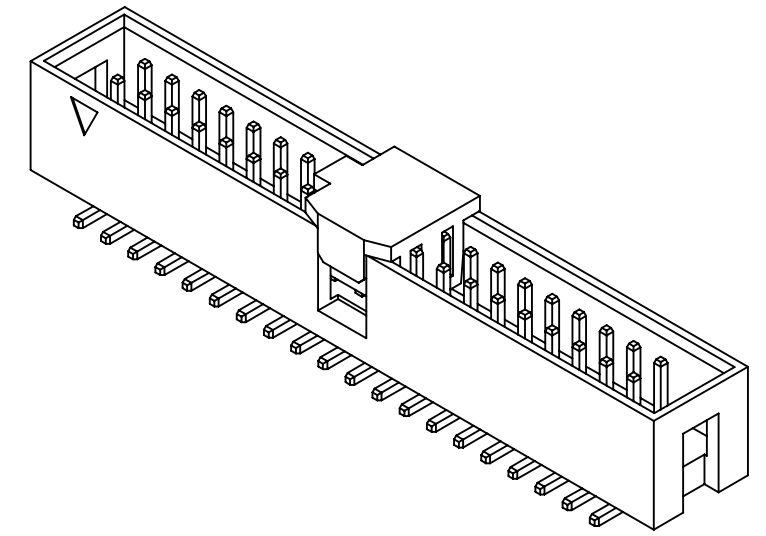
SULLINS
CONNECTOR SOLUTIONS

TITLE: BOX HEADER .100" [2.54mm] CC/RS, SMT, W/T&R
PART NUMBER: SBH11-NBPC-D -SM-BK-M81

SIZE: C
CAGE CODE: 54453
DWG. NO.: 12509
REV: C

SCALE: 3:1
SHEET 1 OF 2

- NOTE:
1. CUMULATIVE PITCH TOLERANCE FOR 10 SPROCKET HOLES IS $\pm 0.20\text{mm}$
 2. CARRIER CAMBER IS 1mm IN 100mm
 3. A0 AND B0 MEASURED ON A PLANE 0.3mm ABOVE THE BOTTOM OF THE POCKET
 4. K0 MEASURED FROM A PLANE ON THE INSIDE BOTTOM OF THE POCKET TO THE TOP SURFACE OF THE CARRIER
 5. PACKING CONFORMS TO EIA-481-2 STANDARDS
 6. FOR 03-20 POSITIONS:
ONE $\phi 13"$ REEL= 5.5 METER (OVERALL LENGTH OF TAPE), 250 PIECES
FOR 25-POSITION:
ONE $\phi 13"$ REEL= 6.0 METER (OVERALL LENGTH OF TAPE), 200 PIECES

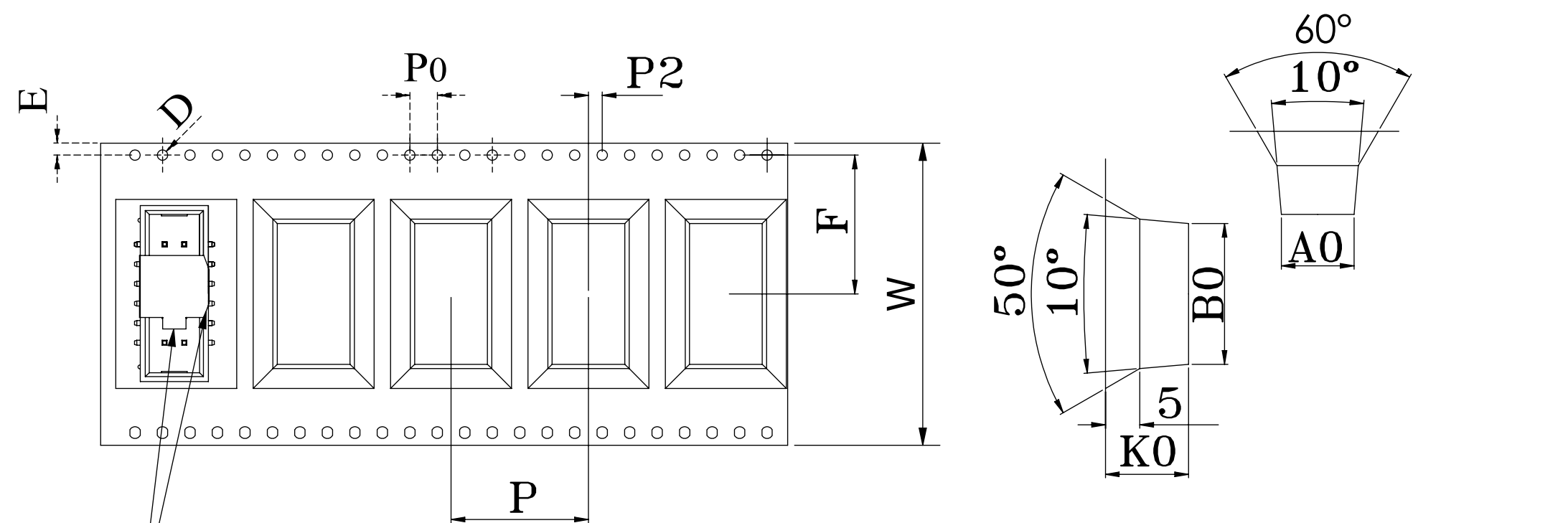


DEVICE TYPE: **SBH11-NBPC-D__-SM-BK-M81** MATERIAL: **P.S 0.4 BLACK**

DIMENSIONS	A0 ± 0.1	K0 ± 0.1	P ± 0.1	E ± 0.1	D +0.1/-0.0	P0 ± 0.1	P2 ± 0.1
(unit: mm)	10.6	12.1	20	1.75	1.5	4.0	2.0

DIMENSIONS (unit: mm)

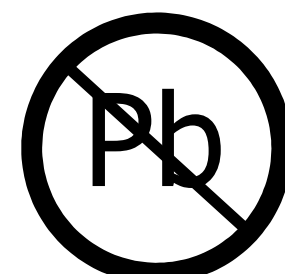
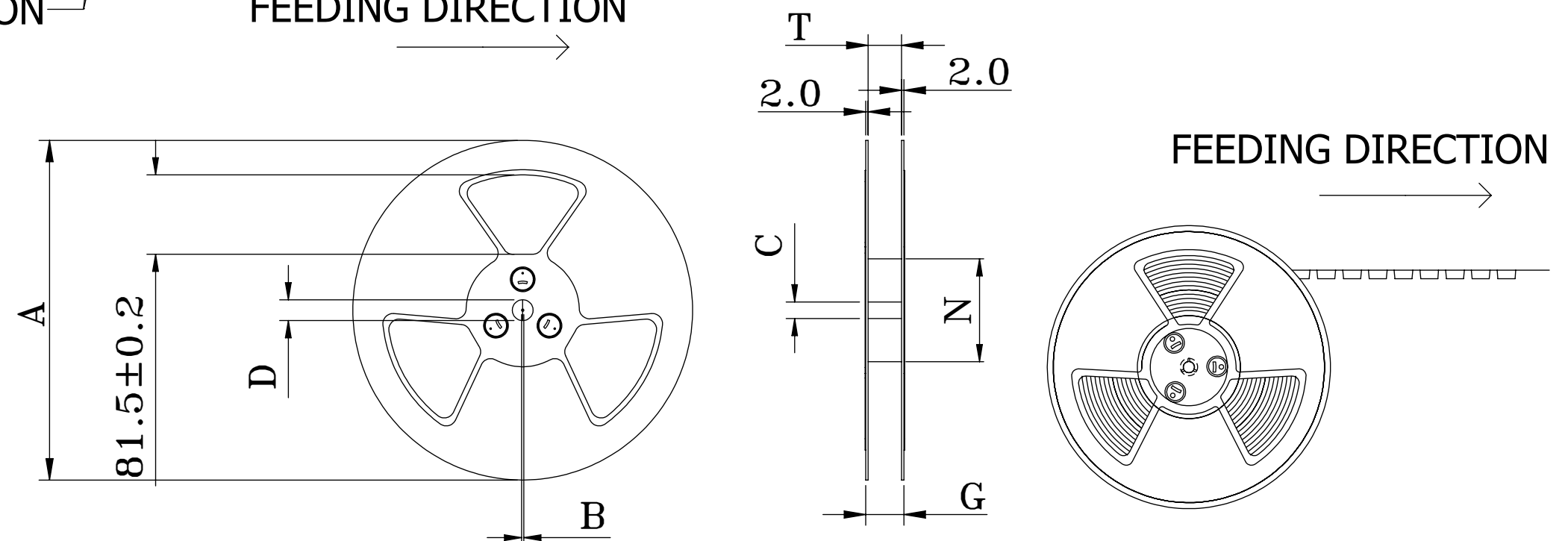
CONTACTS	W	B0	F	CONTACTS	W	B0	F
03/06	44	15.42	20.25	12/24	72	38.28	34.25
04/08	44	17.96	20.25	13/26	72	40.82	34.25
05/10	44	20.50	20.25	15/30	72	45.90	34.25
06/12	44	23.04	20.25	17/34	72	50.98	34.25
07/14	44	25.58	20.25	20/40	72	58.60	34.25
08/16	56	28.12	26.25	25/50	88	71.30	42.25
10/20	56	33.20	26.25				



POLARIZATION DIRECTION

FEEDING DIRECTION

DIMENSIONS (unit: mm)							CARRIER TAPE
A	B ± 0.5	C ± 0.2	D ± 1.0	N ± 1.0	T ± 0.1	G ± 0.1	W
330	2.2	13	20.2	100	8.5	13.1	8
330	2.2	13	20.2	100	12.5	17.1	12
330	2.2	13	20.2	100	17.0	21.1	16
330	2.2	13	20.2	100	24.5	29.1	24
330	2.2	13	20.2	100	32.5	37.0	32
330	2.2	13	20.2	100	44.5	49.1	44
330	2.2	13	20.2	100	56.5	61.1	56
330	2.2	13	20.2	100	72.5	77.1	72
330	2.2	13	20.2	100	88.5	93.1	88



RoHS COMPLIANT

UNLESS OTHERWISE SPECIFIED: DIMENSIONS ARE IN INCHES[MM]		DRAWN	DATE	NAME	
			09/23/2014	LH	
TOLERANCES:		THE INFORMATION HEREIN CONTAINS PROPRIETARY INFORMATION OF SULLINS ELECTRONICS AND IS NOT TO BE REPRODUCED, USED OR DISCLOSED TO OTHERS FOR ANY PURPOSE EXCEPT AS SPECIFICALLY AUTHORIZED IN WRITING BY AN OFFICER OF SULLINS ELECTRONICS.			TITLE
ANGULAR: \pm					BOX HEADER .100"[2.54mm] CC/RS, SMT, W/T&R
DECIMALS					PART NUMBER
.XX= .01 [0.3]					SBH11-NBPC-D__-SM-BK-M81
.XXX= .008 [0.20]					SIZE
.XXXX= .004 [0.100]					CAGE CODE
					DWG. NO.
					12509
					REV
					C
					SCALE: 2:1
					SHEET 2 OF 2