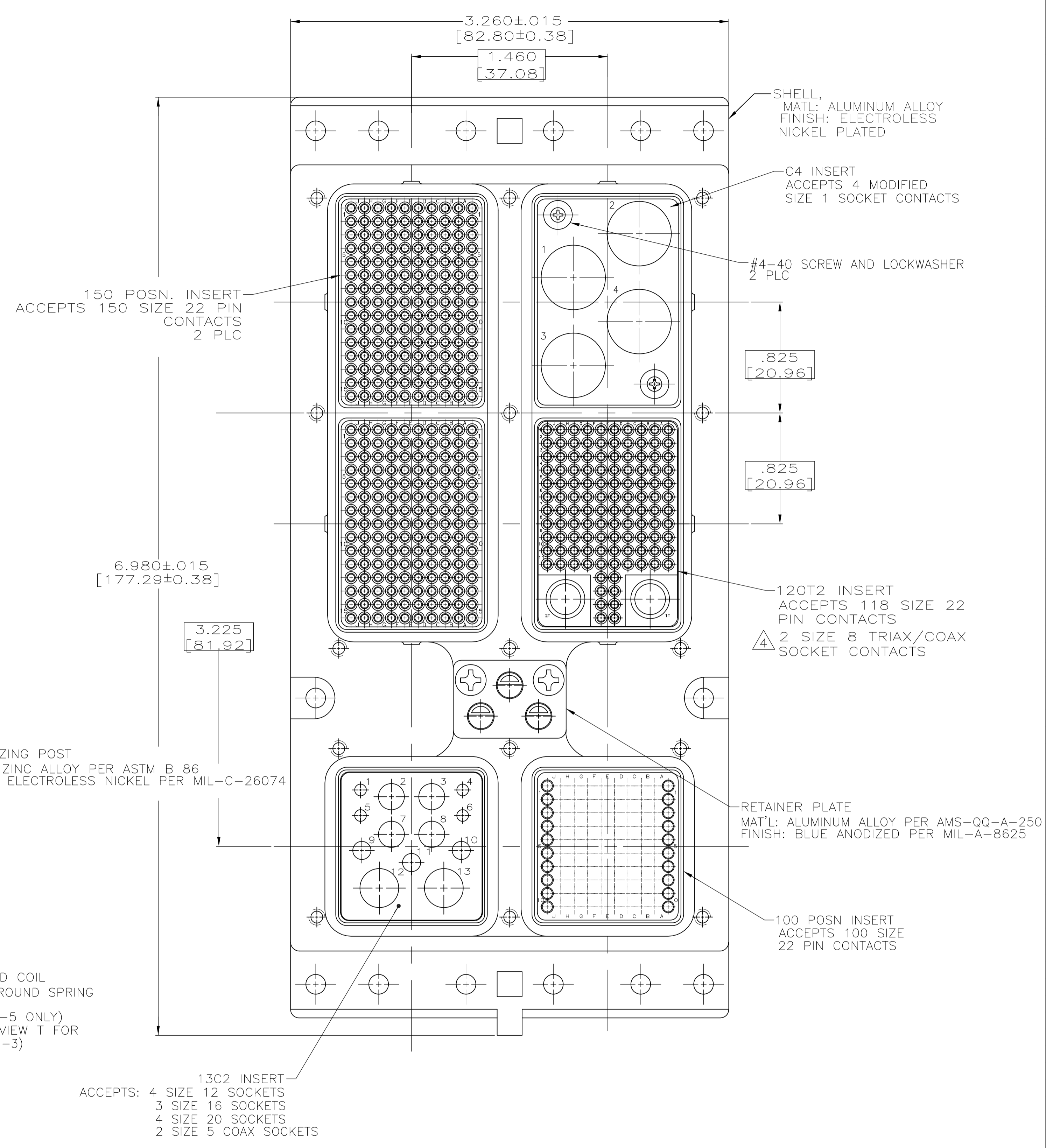
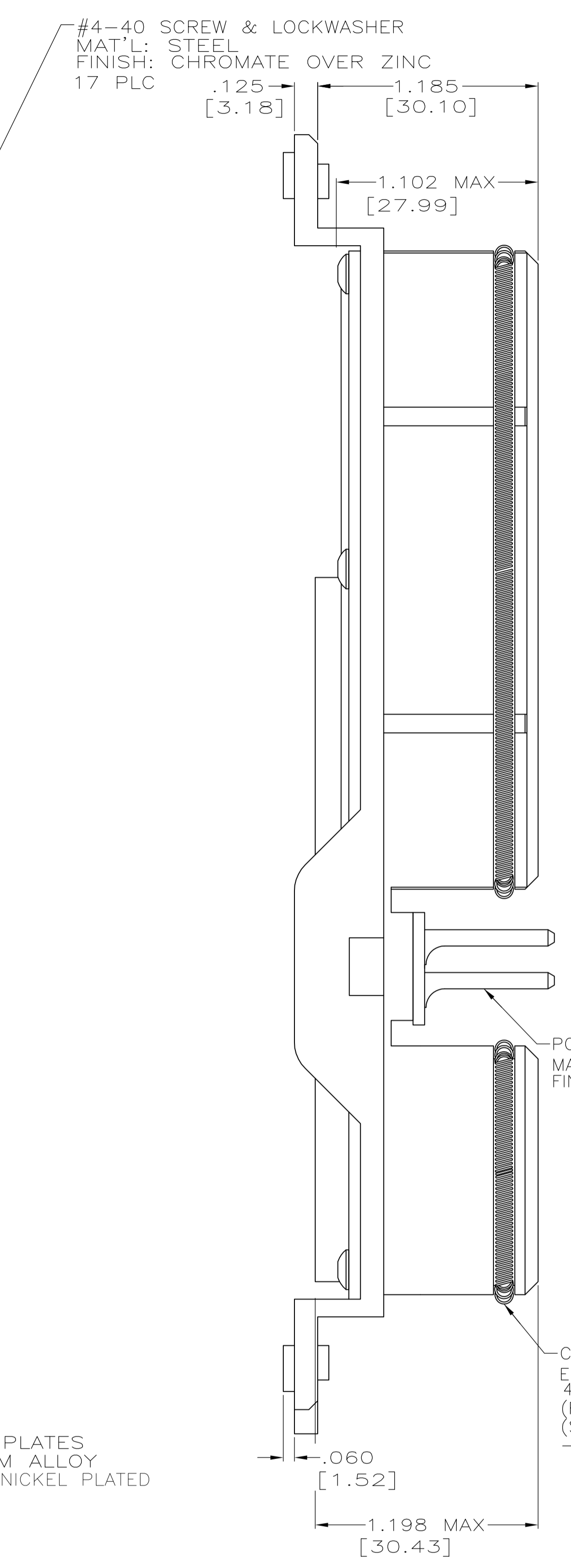
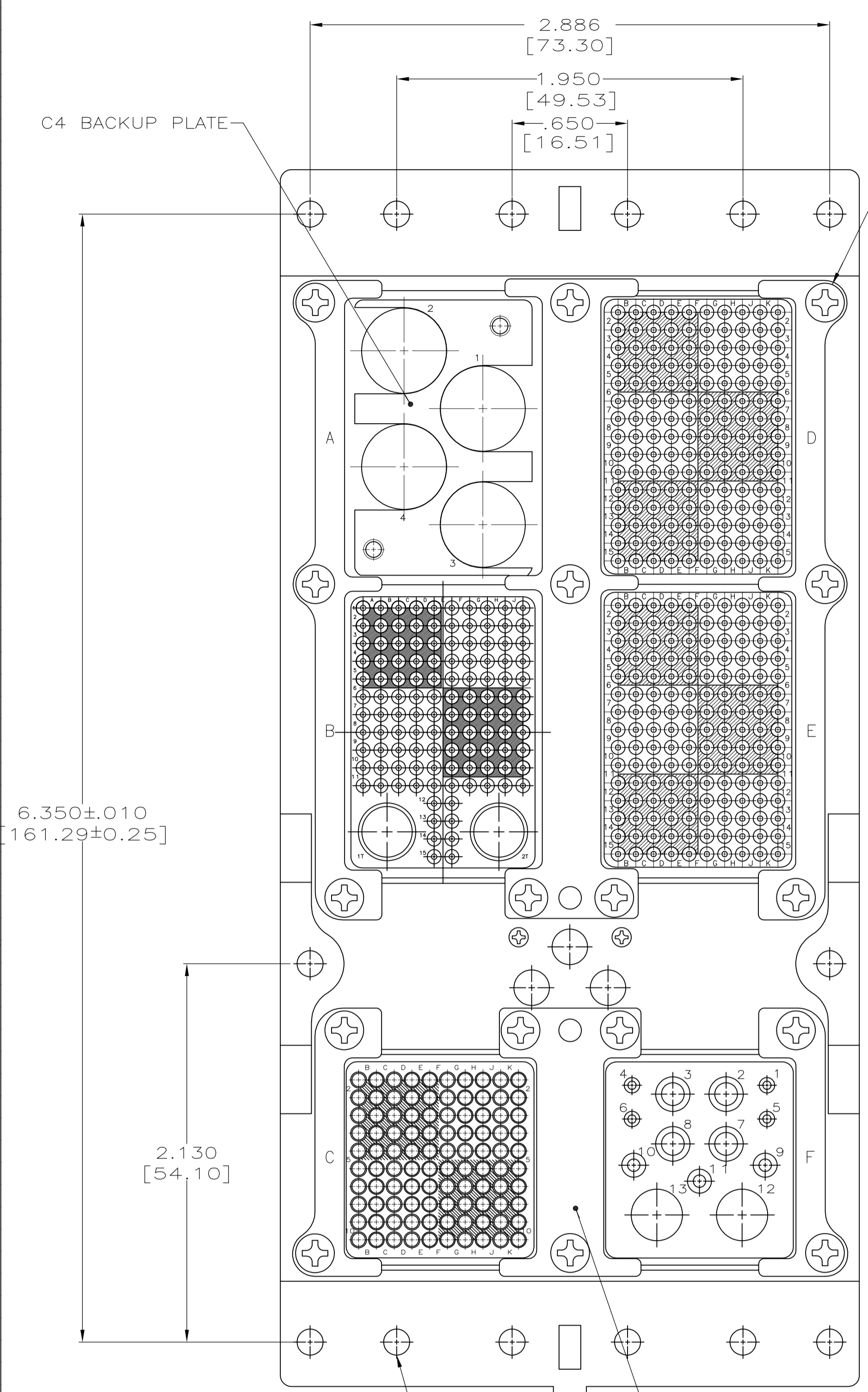
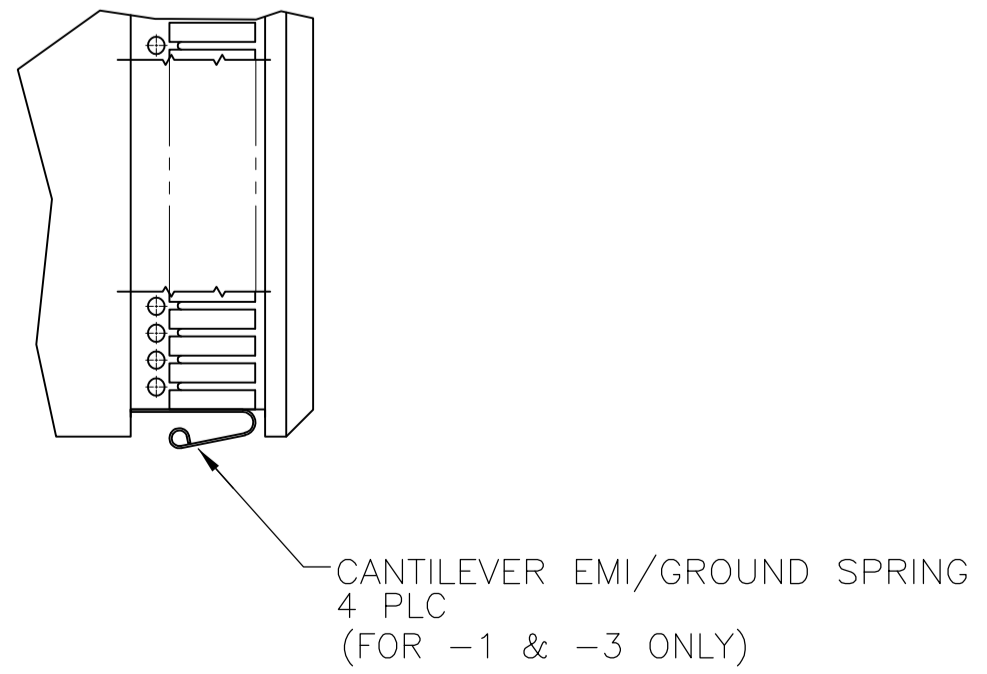


LOC		DIST		REVISIONS			
P	LTR	DESCRIPTION	DATE	DN	APVD		
C	REV PER ECO	10-017938	9-7-10	CT	KT		



INSERT RETENTION PLATES
 MATERIAL: ALUMINUM ALLOY
 FINISH: ELECTROLESS NICKEL PLATED

Ø .148±.003 [3.76±0.08] TYP



- DIMENSIONS AND MATERIALS PER ARINC 600 SPECIFICATION.
 - CONNECTOR POLARIZATION = "01".
 - ALL CONTACTS MUST BE ORDERED SEPARATELY.
- △ COAX CONTACTS GROUNDED TO SHELL THROUGH GOLD PLATED GROUND SPRINGS TO MEET REQUIREMENTS OF RTCA DOD-160D, SEC 20. 120T2 INSERT DOES NOT ACCEPT STANDARD SIZE 8 CONTACTS.
 USE: 1218821-2 FOR RG-142 WIRE
 USE: 1218820-2 FOR RG-316 WIRE
 USE: 1218822-2 FOR RG-55/58/223 WIRE
 APPLIES TO 1218791-3, -4 AND -5 ONLY.
- △ SIGNAL AND POWER CONTACTS INCLUDED. COAX/TRIAX MUST BE ORDERED SEPARATELY.
- △ PRELIMINARY- NOT RELEASED FOR PRODUCTION

CONTACTS	STATUS	DESCRIPTION	PART NUMBER
△ 5	RELEASED	HIRF COMPLIANT COAX △ 4 WITH CANTED COIL SPRING EMI GROUND SPRING	1218791-5
△ 3	△ 6	HIRF COMPLIANT COAX △ 4 NO EMI GROUND SPRING	1218791-4
△ 3	RELEASED	HIRF COMPLIANT COAX △ 4 WITH CANTILEVER EMI GROUND SPRING	1218791-3
△ 3	△ 6	STANDARD NO EMI GROUND SPRING	1218791-2
△ 3	△ 6	STANDARD WITH CANTILEVER EMI GROUND SPRING	1218791-1
		13C2 & 120T2 COAX INSERTS	
		EMI GROUND SPRING TYPE	

THIS DRAWING IS A CONTROLLED DOCUMENT. TOLERANCES UNLESS OTHERWISE SPECIFIED:

DIMENSIONS: INCHES [mm]	0 PLC ± .005	1 PLC ± .005	2 PLC ± .005	3 PLC ± .005 [0.13]	4 PLC ± .005	ANGLES ± .005
-------------------------	--------------	--------------	--------------	---------------------	--------------	---------------

MATERIAL: SEE CALLOUTS. FINISH: SEE CALLOUTS.

THIS DRAWING IS A CONTROLLED DOCUMENT. DWN: C.C.THOMAS 9-8-00. CHK: S.GLATFELTER 9-12-00. APVD: S.GLATFELTER 9-12-00. NAME: S.GLATFELTER. PRODUCT SPEC: PLUG ASSY W/ EMI GROUND SPRING, SIZE 3, UNSEALED, ARINC 600. APPLICATION SPEC: -. WEIGHT: -. SIZE: A1. CAGE CODE: 00779. DRAWING NO: 1218791. RESTRICTED TO: -. CUSTOMER DRAWING. SCALE: 2:1. SHEET: 1 OF 1. REV: C.