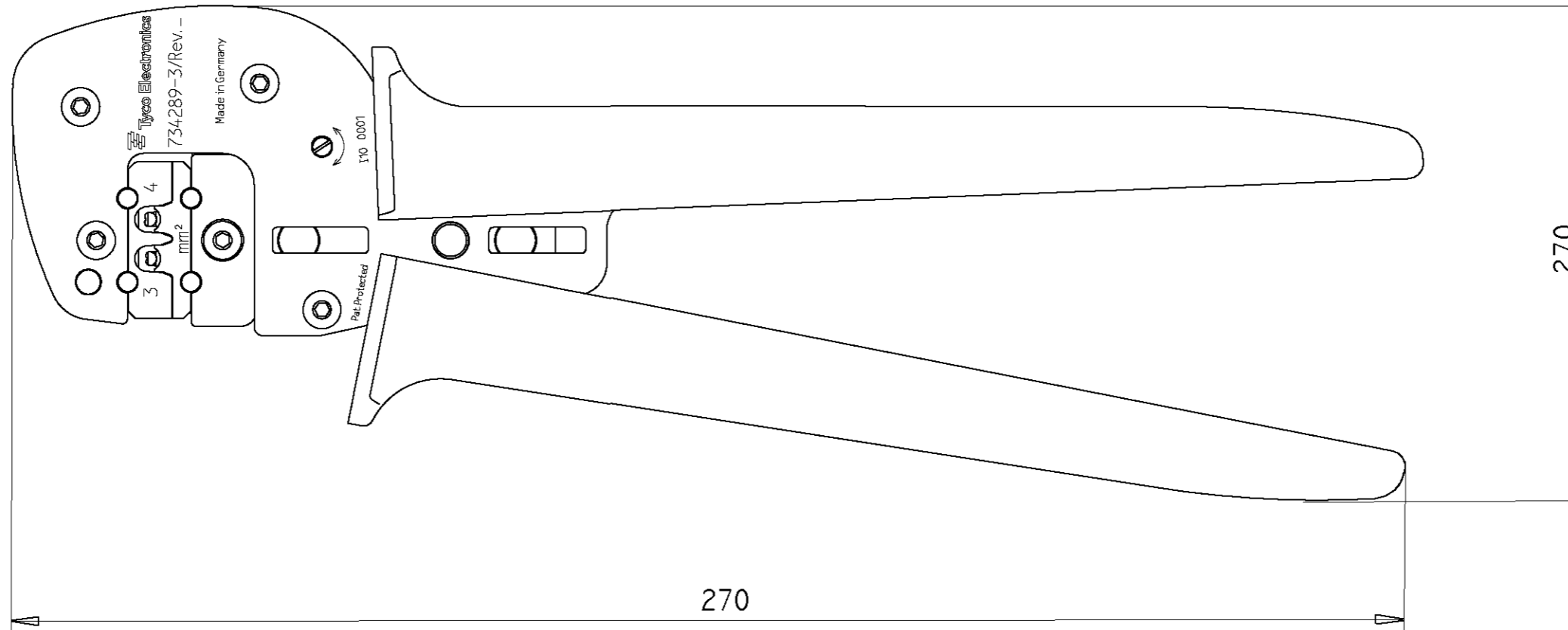


THIS DRAWING IS UNPUBLISHED. RELEASED FOR PUBLICATION 2003  
 © COPYRIGHT 2003 BY TYCO ELECTRONICS CORPORATION. ALL RIGHTS RESERVED.

LOC	DIST	REVISIONS			
P	LTR	DESCRIPTION	DATE	DWN	APVD
A	-	INITIAL RELEASE	27.09.2010	witt	-

# HAND TOOL DIA. 2.5 mm CONTACTS



Leiterquerschnitt Cross section range mm <sup>2</sup>	Crimphöhe Leiter Crimp height Wire ±0.05 mm	Crimphöhe Isolation Crimp height insulation Richtwert/Ref. Value	Kontakt-Typ Contact-Type	Kontakt Contact TE PN
3,0	2,05	5,1	2,5 mm Contact	929965 / 929972
4,0	2,3	5,1		929965 / 929972

Gewicht: 760 g  
 Weight: 760 g

<small>THIS DRAWING IS A CONTROLLED DOCUMENT FOR TYCO ELECTRONICS CORPORATION                  IT IS SUBJECT TO CHANGE AND THE CONTROLLING ENGINEERING ORGANIZATION                  SHOULD BE CONTACTED FOR THE LATEST REVISION.</small>		DWN	C.Witt	27SEP2010	tyco Electronics AMP GmbH D - 64625 Bensheim
DIMENSIONS: mm 		CHK.	-	-	
TOLERANCES UNLESS OTHERWISE SPECIFIED: 0 PLC ± 1 PLC ± 2 PLC ± 3 PLC ± 4 PLC ± ANGLES ±1°		APVD	-	-	SIZE CAGE CODE DRAWING NO RESTRICTED TO A3 00779 C= 734289-3 -
MATERIAL - FINISH -		PRODUCT SPEC	-	-	
		APPLICATION SPEC	-	-	
		WEIGHT	-	-	