

THIS DRAWING IS UNPUBLISHED.

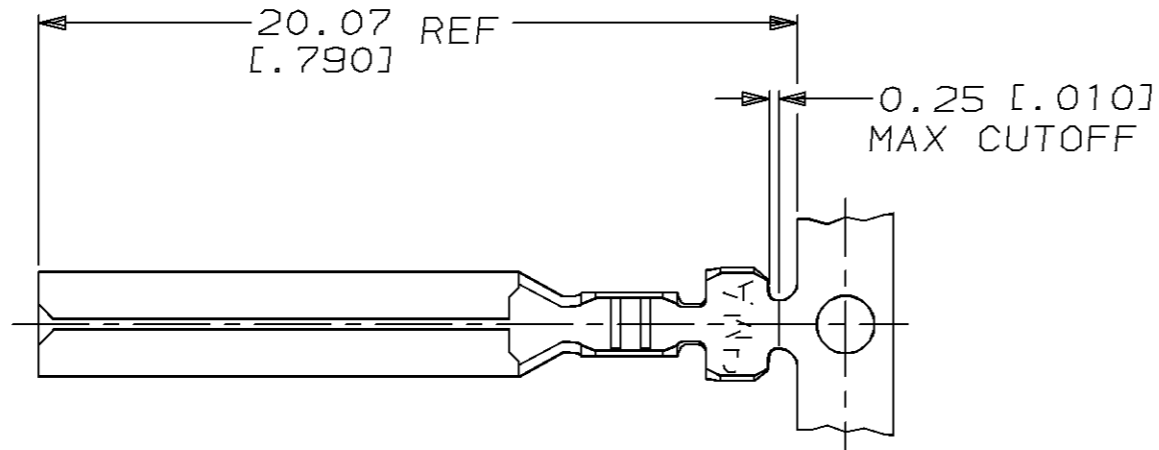
RELEASED FOR PUBLICATION

,19

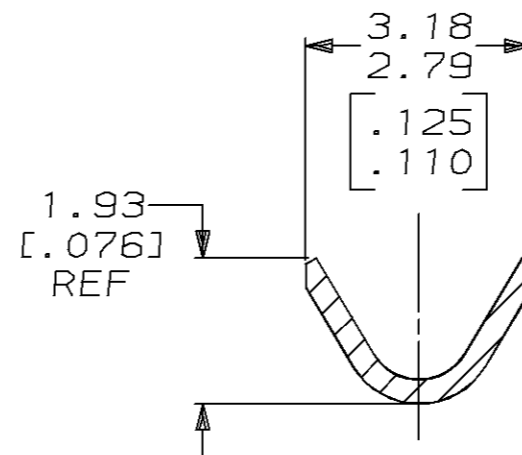
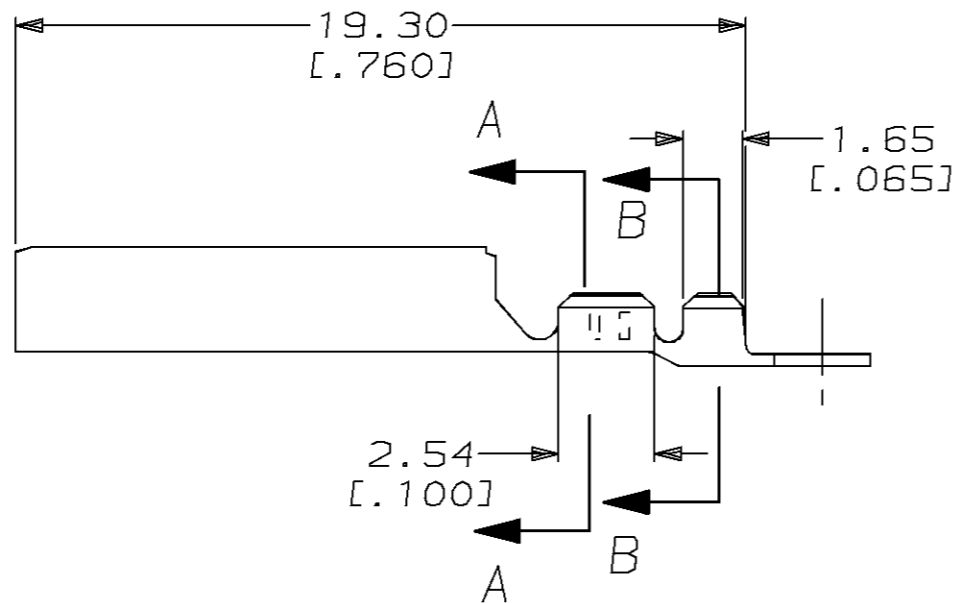
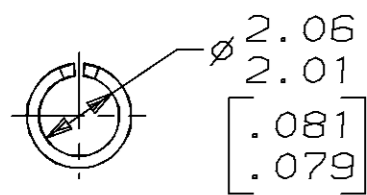
© COPYRIGHT 19

BY AMP INCORPORATED. ALL RIGHTS RESERVED.

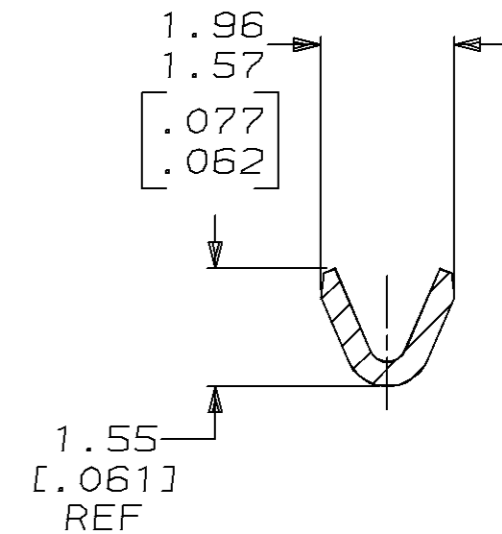
LOC	DIST	REVISIONS					
		P	LTR	DESCRIPTION	DATE	DWN	APVD
CM	53		A	REV PER EC 0L30-0020-96	8-1-96	JH	RS



1. DIMENSIONS IN BRACKETS ARE IN INCHES.
2. WIRE RANGE: 0.5 - 0.15 MM SQ (30 -26 AWG)
3. INSULATION RANGE: 0.81 - 1.45 (.032 -.057) DIA



SECTION B-B
SCALE 10:1



SECTION A-A
SCALE 10:1

TIN	0.30 (.012) BRASS	794042-1
FINISH	MATERIAL	PART NUMBER

<small>THIS DRAWING IS A CONTROLLED DOCUMENT FOR AMP INCORPORATED. IT IS SUBJECT TO CHANGE AND THE CONTROLLING ENGINEERING ORGANIZATION SHOULD BE CONTACTED FOR THE LATEST REVISION.</small>		DWN	L. SMITH	4-18-94	 AMP Incorporated Harrisburg, PA 17105-3608														
DIMENSIONS:		CHK	R. SWING	4-18-94															
mm [INCHES]		APVD	D. SELF	4-21-94															
TOLERANCES UNLESS OTHERWISE SPECIFIED:		PRODUCT SPEC	-	-															
<table border="0"> <tr><td>0 PLC</td><td>±-</td></tr> <tr><td>1 PLC</td><td>±-</td></tr> <tr><td>2 PLC</td><td>±-</td></tr> <tr><td>3 PLC</td><td>±.005</td></tr> <tr><td>4 PLC</td><td>±-</td></tr> <tr><td>ANGLES</td><td>±0°30'</td></tr> <tr><td>FINISH</td><td>TIN</td></tr> </table>		0 PLC	±-	1 PLC	±-	2 PLC	±-	3 PLC	±.005	4 PLC	±-	ANGLES	±0°30'	FINISH	TIN	APPLICATION SPEC	-	-	NAME SOCKET, UNIVERSAL MATE-N-LOK
0 PLC	±-																		
1 PLC	±-																		
2 PLC	±-																		
3 PLC	±.005																		
4 PLC	±-																		
ANGLES	±0°30'																		
FINISH	TIN																		
MATERIAL	BRASS	WEIGHT	-	-	SIZE A3														
		CUSTOMER DRAWING	SCALE 5:1		CAGE CODE 00779														
			DRAWING NO C=794042		SHEET 1 OF 1														
			REV A																