

b) Technical specification:

Technische Daten:

Working voltage/
Betriebsspannung: 250 V AC

Initial contact
resistance/
Anfangs-
Durchgangswiderstand: $\leq 20 \text{ m}\Omega$

Temperature range/
Temperaturbereich: $-55 \text{ }^\circ\text{C} \dots +125 \text{ }^\circ\text{C}$

Mating cycles/
Steckzyklen: Quality class 1 = 500
Gütestufe 1
Quality class 2 = 400
Gütestufe 2
Quality class 3 = 50
Gütestufe 3

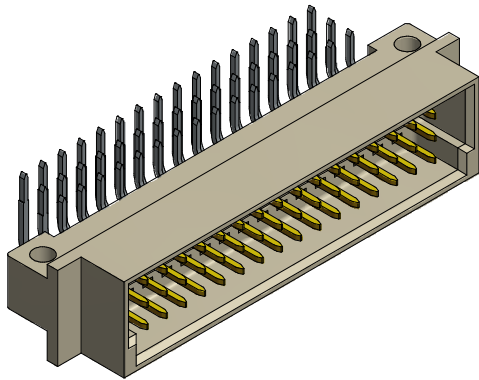
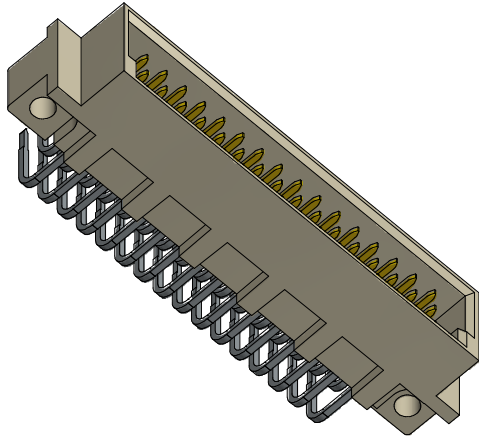
**Materials/
Werkstoffe:**

Contact/
Kontakt: Cu alloy, Au over Ni

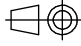

Insulator/
Isolierkörper: PBT GF UL 94 V-0, grey/grau

**Installation specification/
Montagedaten:**

PCB-Hole drillings/
Leiterplattenbohrbild: see Sheet 2/
siehe Seite 2

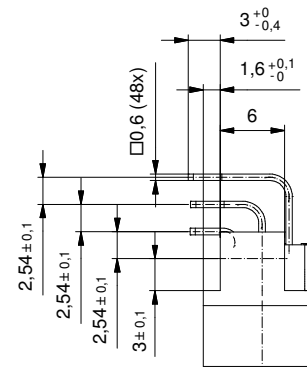
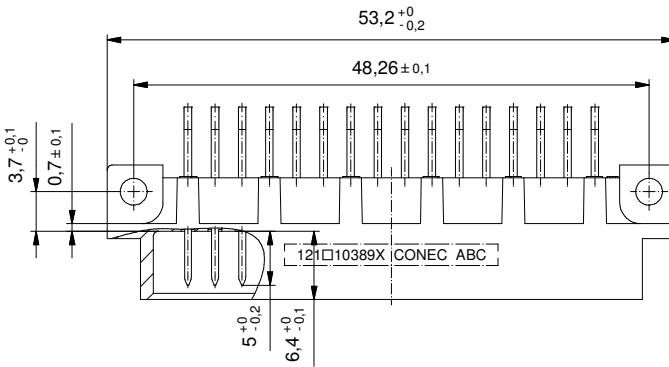
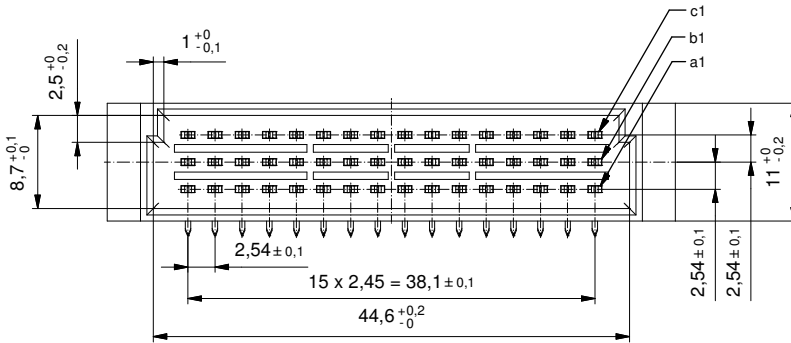
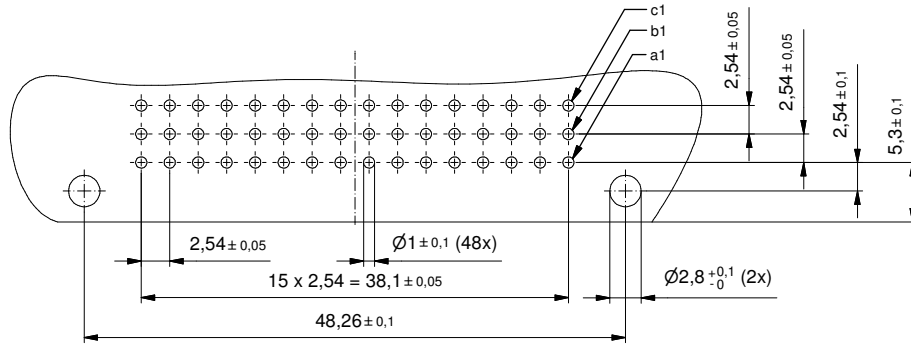


b) Part no. / Part marked / Art.-Nr. / Bedruckung:	Quality class / Gütestufe:	Contact plating / Kontakt Veredelung:
121A10389X	3	Gold over nickel / 50 mating cycles Gold über Nickel / 50 Steckzyklen
121B10389X	2	Gold over nickel / 400 mating cycles Gold über Nickel / 400 Steckzyklen
121C10389X	1	Gold over nickel / 500 mating cycles Gold über Nickel / 500 Steckzyklen

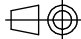

		 dim. in mm	Male Connector Type "C 1/2" 48 pos. Solder pin angled Messerleiste Type "C 1/2" 48 pol. Lötstift abgewinkelt		
		Date/Datum			Name
		drawn/ gez. 05.01.07			Lehmenkühler
		appd./ gepr. 05.01.07	Mickenbecker		
Index: b Ä6547 24.02.2017 L.U.	scale/Maßstab: 2:1			dwg no / Z.-nr.: 12K1A457	DIN- A3
Status: InBearbeitung					1 / 2
RoHS compliant/konform					

This reproduction, distribution and utilization of this document as well as the communication of its content to others without express authorization is prohibited. Offenders will be held liable for the payment of damages. We reserve the right to remove additional technical information at any time without notice.

PCB Hole drillings (PCB Top side)
Leiterplattenbohrbild (Leiterplatten Oberseite)



The reproduction, distribution and utilization of this document as well as the communication of its content to others without express authorization is prohibited. Offenders will be held liable for the payment of damages. We hereby reserve the right to withdraw or to revise this document. For more information on our products and services, please contact our sales department. www.conec.com

		 dim. in mm		Male Connector Type "C 1/2" 48 pos. Solder pin angled <i>Messerleiste Type "C 1/2"</i> 48 pol. Lötstift abgewinkelt	
		Date/Datum	Name		
drawn/	05.01.07	Lehmenkühler			
appd./	05.01.07	Mickenbecker			
Index: b Ä6547 24.02.2017 L.U.	scale/Maßstab:			dwg no /	12K1A457
Status: InBearbeitung	2:1			Z.-nr.:	
RoHS compliant/konform					
				DIN-A3	2/2