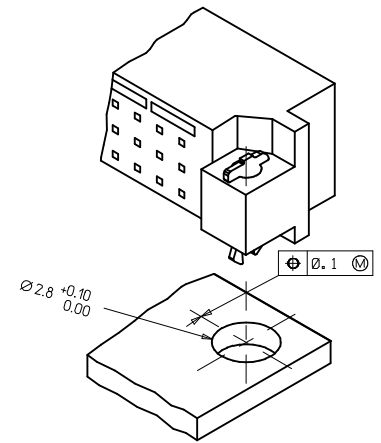
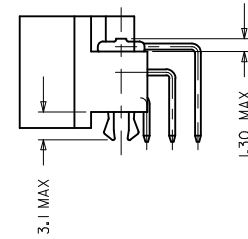


WITH MOUNTING CLIPS

8:1

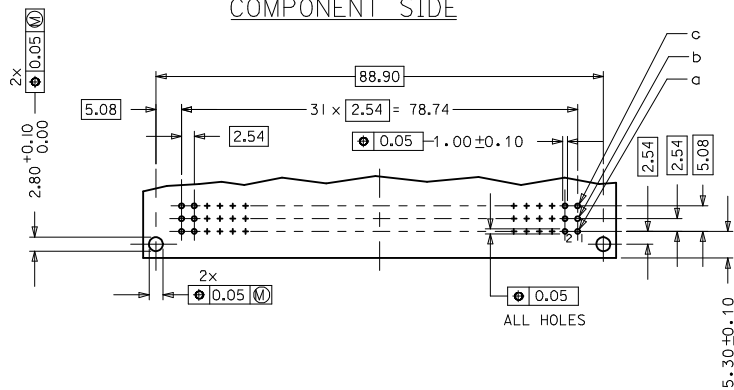


NOTES:

- 1) MATERIALS: THERMX (PCT), GLASS FILLED, UL94V-0, COLOR : NATURAL  
TERMINAL - BRASS  
MOUNTING CLIP: STEEL
- 2) FINISH: CONTACT AREA
  1. PERFORMANCE LEVEL 1: SELECTIVE GOLD (Au), THICKNESS = 1.1 MICROMETER OVER NICKEL, THICKNESS = 1.25 MICROMETER
  2. PERFORMANCE LEVEL 2: SELECTIVE GOLD (Au), THICKNESS = 0.6 MICROMETER OVER NICKEL, THICKNESS = 1.25 MICROMETER
  3. PERFORMANCE LEVEL 3: SELECTIVE GOLD (Au), THICKNESS = 0.3 MICROMETER OVER NICKEL, THICKNESS = 1.25 MICROMETER

TERMINATION AREA : SELECTIVE TIN, THICKNESS = 2.5 MICROMETER OVER NICKEL, THICKNESS = 1.25 MICROMETER OVERALL
- 3) MOUNTING CLIP:-  
TIN (Sn), THICKNESS = 5-10 MICROMETER,  
OVER NICKEL (Ni), THICKNESS = 2.5 MICROMETER
- 4) FOR NON MOUNTING CLIP OPTION, CONNECTOR TO BE SECURED WITH  
RIVETS: 2 TUBULAR RIVETS 2.5 x 0.3 ... DIN 7340  
SCREWS: 2 CHEESEHEAD SCREWS M2.5 x .... DIN 84 AND 2 HEXAGONAL NUTS M2.5 DIN 934
- 5) STANDARD MARKING : MOLEX, MATERIAL NUMBER, BATCH CODE
- 6) CUT FACE OF TIP WITHOUT PLATING PERMITTED
- 7) PRODUCT SPECIFICATION PS : 85003-0001

RECOMMENDED PCB LAYOUT  
COMPONENT SIDE



LMFB CONTACTS	4,2
FMLB CONTACTS	5,2
NORMAL CONTACTS	4,8
	M

RoHS COMPLIANT

EC NO: 2007-0172 DRAWN: JAYENG CHKD: SSUDHIR APPR: KPRASAD 2008/06/07 2008/06/19 2009/10/22	QUALITY SYMBOLS ▽=0 ▽=0 DESCRIPTION	GENERAL TOLERANCES (UNLESS SPECIFIED) mm INCH 4 PLACES ± --- ± --- 3 PLACES ± 0.05 ± --- 2 PLACES ± 0.1 ± --- 1 PLACE ± 0.15 ± --- ANGULAR ± 2 °	DIMENSION STYLE MM ONLY	SCALE 2:1	DESIGN UNITS METRIC	THIRD ANGLE PROJECTION
				DRAWN BY SSUDHIR DATE 2005/04/22 CHECKED BY KPRASAD DATE 2005/04/22 APPROVED BY KPRASAD DATE 2005/04/22 MATERIAL NO.	TITLE 96 POS. MALE CONNECTOR ACC. DIN 41612 STYLE C CONTACTS, HIGH TEMP CONN MOLEX MOLEX INCORPORATED DOCUMENT NO. SD-85003-0001	SHEET NO. 11 OF 12
A1 DRAFT WHERE APPLICABLE MUST REMAIN WITHIN DIMENSIONS	SEE CHART THIS DRAWING CONTAINS INFORMATION THAT IS PROPRIETARY TO MOLEX INCORPORATED AND SHOULD NOT BE USED WITHOUT WRITTEN PERMISSION					

