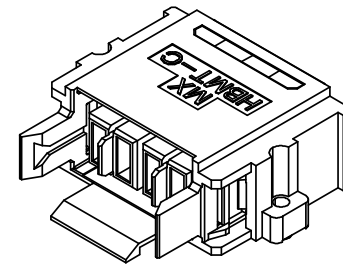
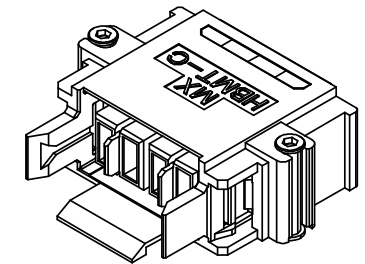


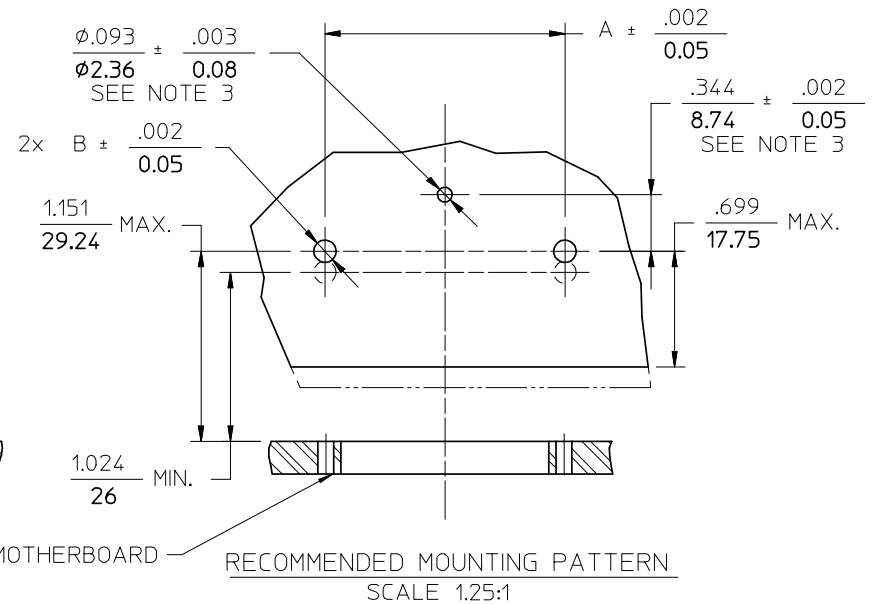
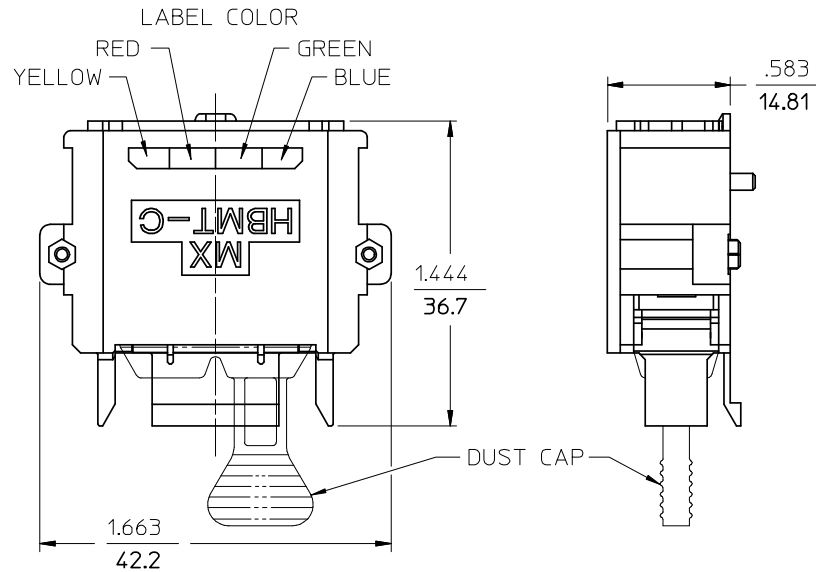
10	9	8	7	6	5	4	3	2	106105
CONNECTOR P/N	MOUNTING	FLOAT	PLATING	A	B	C	MATES WITH MOTHERBOARD ADAPTER P/N		
106105-0100	RIVET	NO	NO	1.457 (37)	.135 (3.43)	.275 (6.98)	106105-0000, 106105-1000		
106105-1100	SCREW	NO	NO	1.457 (37)	.135 (3.43)	.275 (6.98)	106105-0000, 106105-1000		
106105-2100	SCREW	YES	NO	1.497 (38)	.090 (2.29)	.295 (7.49)	106105-0000, 106105-1000, 106105-2000		
106105-2300	SCREW	YES	YES	1.497 (38)	.090 (2.29)	.295 (7.49)	106105-2200		



ISOMETRIC VIEW
RIVET MOUNTING



ISOMETRIC VIEW
SCREW MOUNTING WITH FLOAT

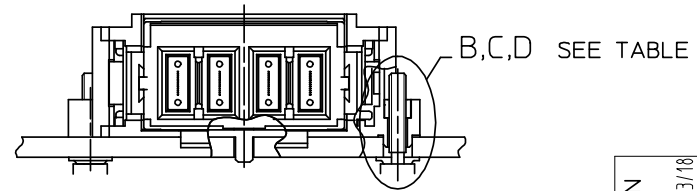
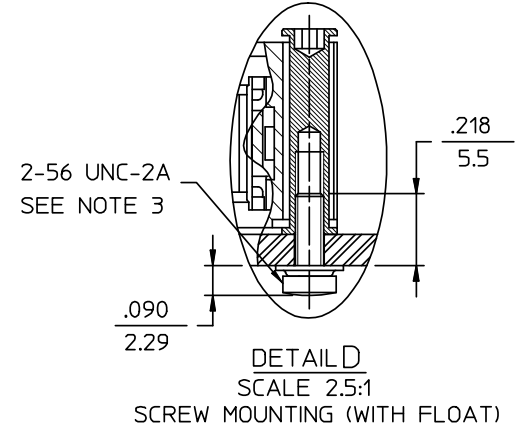
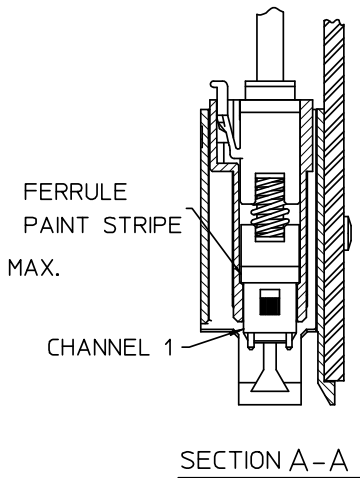
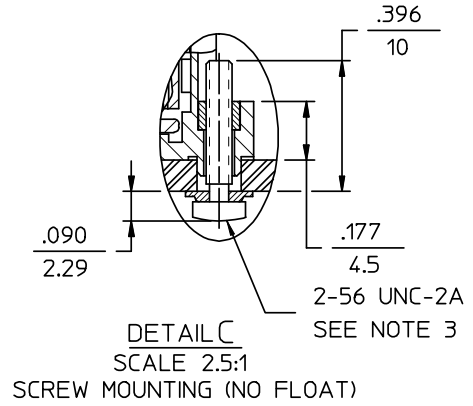
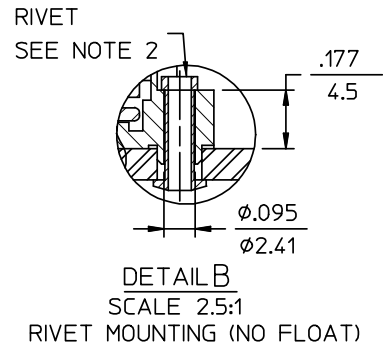
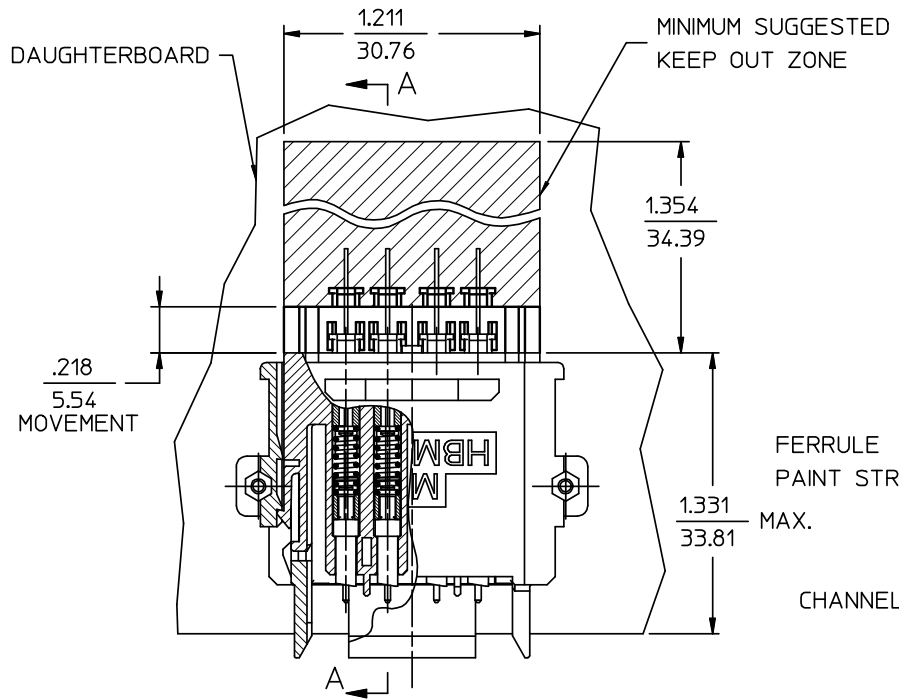


NOTES:

- RIVETS NOT INCLUDED WITH CONNECTOR.
- SCREWS ARE INCLUDED WITH CONNECTOR AND ARE INSTALLED BY USER. RECOMMENDED TORQUE: 2.5 TO 4 IN.LBS (0.28 TO 0.45 N.m) DEPENDING ON SUBSTRATE MATERIAL AND SCREW TYPE. USER IS ENCOURAGED TO DETERMINE THE PROPER TORQUE TO USE BY TRIAL (SEE MACHINERY'S HANDBOOK FOR PROCEDURE).
- CENTER LOCATOR HOLE AND PEG NOT USED ON P/Ns 106105-2100, 106105-2300.

ENTER DESCRIPTION EEC NO: MF 2008-0396 DRWN:KPEVZNER 2008/03/18 CHKD: 2008/03/18 APPR: IGUMIN 2008/03/19	QUALITY SYMBOLS $\nabla=0$ $\nabla=0$	GENERAL TOLERANCES (UNLESS SPECIFIED)		DIMENSION STYLE IN/MM		SCALE 2.5:1	DESIGN UNITS INCH	THIRD ANGLE PROJECTION		
		4 PLACES	\pm ---	\pm ---	DRAWN BY PGIBLIN	DATE 2005/10/31	TITLE HBMT DAUGHTER CARD CONNECTOR			
		3 PLACES	\pm ---	\pm ---	CHECKED BY					
		2 PLACES	\pm ---	\pm ---	APPROVED BY		DATE	MOLEX INCORPORATED MATERIAL NO. SEE TABLE DOCUMENT NO. SD-106105-0100 SHEET NO. 1 OF 02		
1 PLACE	\pm ---	\pm ---	ANGULAR $\pm 1/2^\circ$		DRAFT WHERE APPLICABLE MUST REMAIN WITHIN DIMENSIONS					
A1	REV	THIS DRAWING CONTAINS INFORMATION THAT IS PROPRIETARY TO MOLEX INCORPORATED AND SHOULD NOT BE USED WITHOUT WRITTEN PERMISSION								

10 9 8 7 6 5 4 3 2 1



ENTER DESCRIPTION EC NO: MF2008-0396 DRWN:KPEVZNER CHKD: 2008/03/18 APPR: IGUMIN 2008/03/19	REV A1	DESCRIPTION QUALITY SYMBOLS ▽=0 ∇=0	GENERAL TOLERANCES (UNLESS SPECIFIED)		DIMENSION STYLE IN/MM		SCALE 2.5:1	DESIGN UNITS INCH	THIRD ANGLE PROJECTION			
			4 PLACES	±---	±---	DRAWN BY PGIBLIN	DATE 2005/10/31	TITLE HBMT DAUGHTER CARD CONNECTOR				
			3 PLACES	±---	±---	CHECKED BY	DATE					
			2 PLACES	±---	±---	APPROVED BY		DATE	MOLEX INCORPORATED			
			1 PLACE	±---	±---	MATERIAL NO. SEE TABLE		DATE				
ANGULAR ±1/2°			DRAFT WHERE APPLICABLE MUST REMAIN WITHIN DIMENSIONS		THIS DRAWING CONTAINS INFORMATION THAT IS PROPRIETARY TO MOLEX INCORPORATED AND SHOULD NOT BE USED WITHOUT WRITTEN PERMISSION							

9 8 7 6 5 4 3 2 1