

4

3

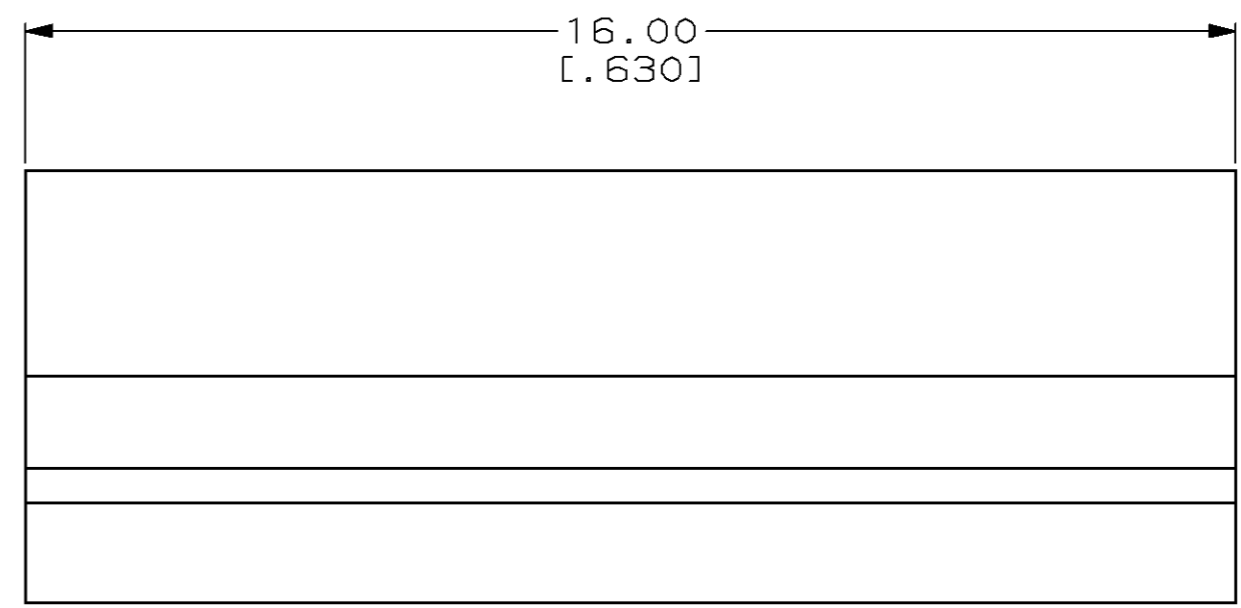
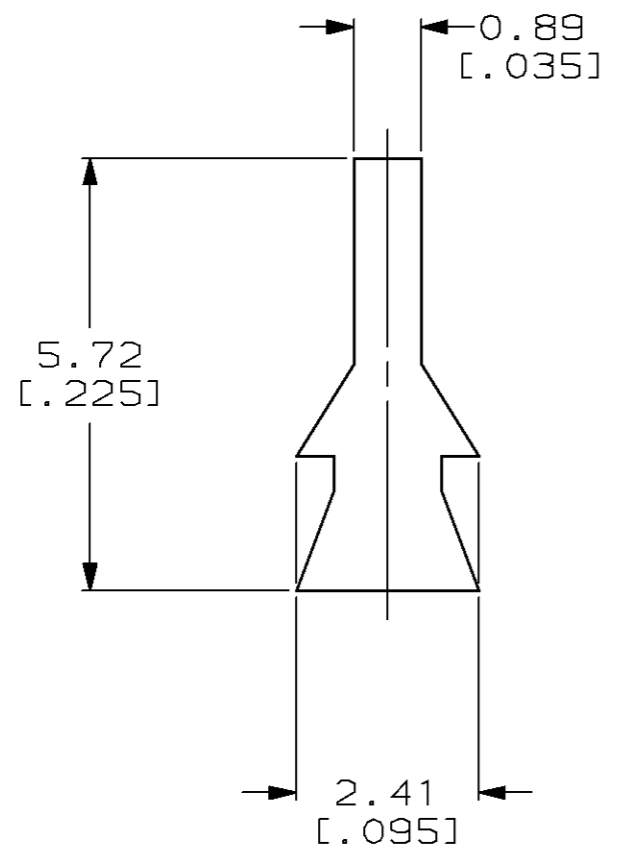
2

1

THIS DRAWING IS UNPUBLISHED. RELEASED FOR PUBLICATION, 19 .

© COPYRIGHT 19 BY AMP INCORPORATED. ALL RIGHTS RESERVED.

LOC	DIST	REVISIONS			
P	LTR	DESCRIPTION	DATE	DWN	APVD
BD	37				
	G	REDRAWN AND REACTIVATED -1 PER EC 0020-417-95	05/01/95	DH	MM



208400-1

PART NUMBER

△ THERMOPLASTIC, BLACK.

THIS DRAWING IS A CONTROLLED DOCUMENT FOR AMP INCORPORATED. IT IS SUBJECT TO CHANGE AND THE CONTROLLING ENGINEERING ORGANIZATION SHOULD BE CONTACTED FOR THE LATEST REVISION.		DWN D.HARDY 05/01/95	AMP AMP Incorporated Harrisburg, PA 17105-3608
DIMENSIONS: mm [INCHES]		CHK W.G.LENKER 05/02/95	
TOLERANCES UNLESS OTHERWISE SPECIFIED:		APVD M.McALONIS 05/03/95	NAME
0 PLC ±-		PRODUCT SPEC	KEY, CONNECTOR, METRIMATE
1 PLC ±-		APPLICATION SPEC	
2 PLC ±0.25 [.010]		WEIGHT	SIZE A3
3 PLC ±-		FINISH	CAGE CODE 00779
4 PLC ±-			DRAWING NO C-208400
ANGLES ±-		CUSTOMER DRAWING	SCALE 10:1
MATERIAL △			SHEET 1 OF 1
			REV G