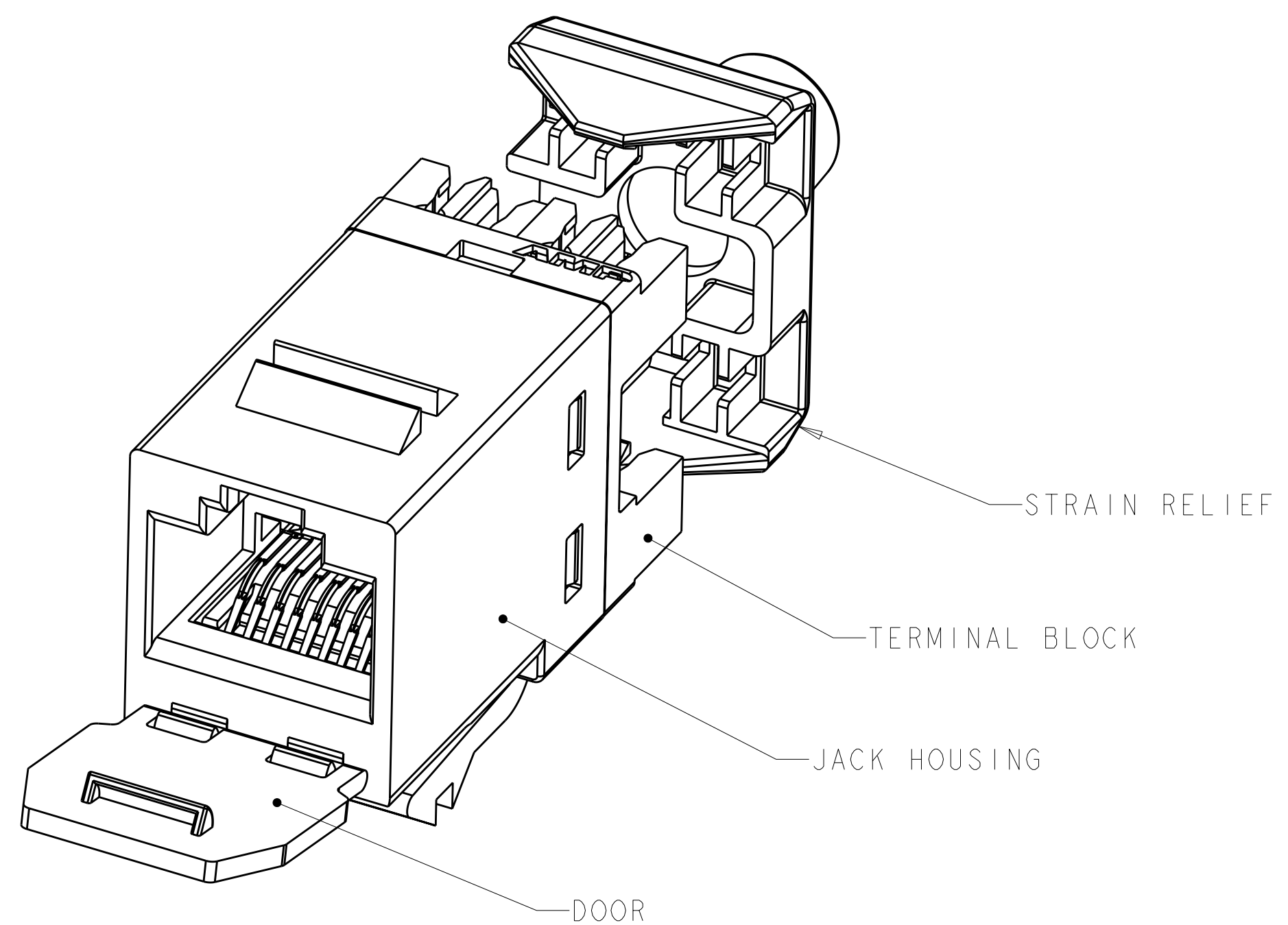
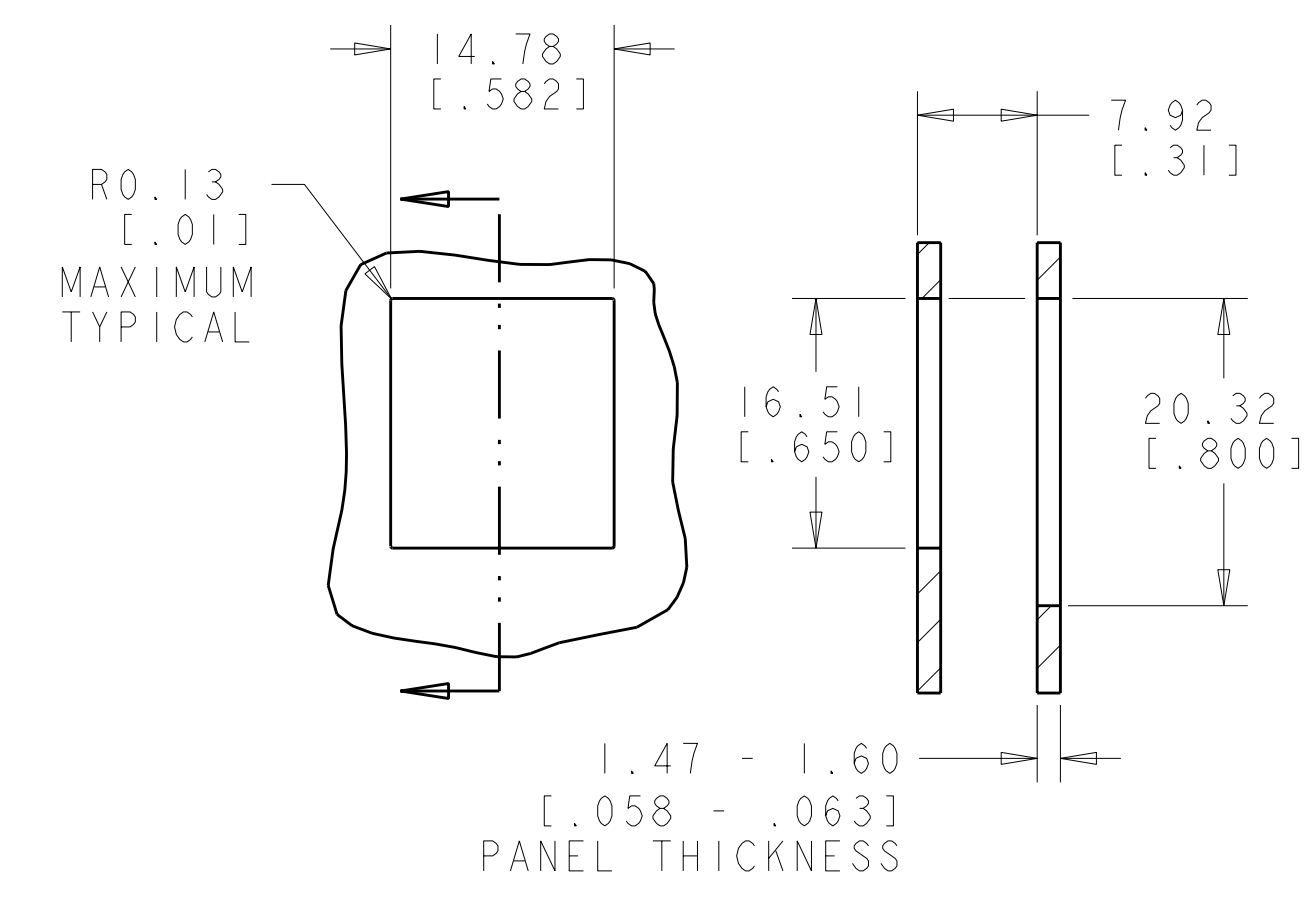
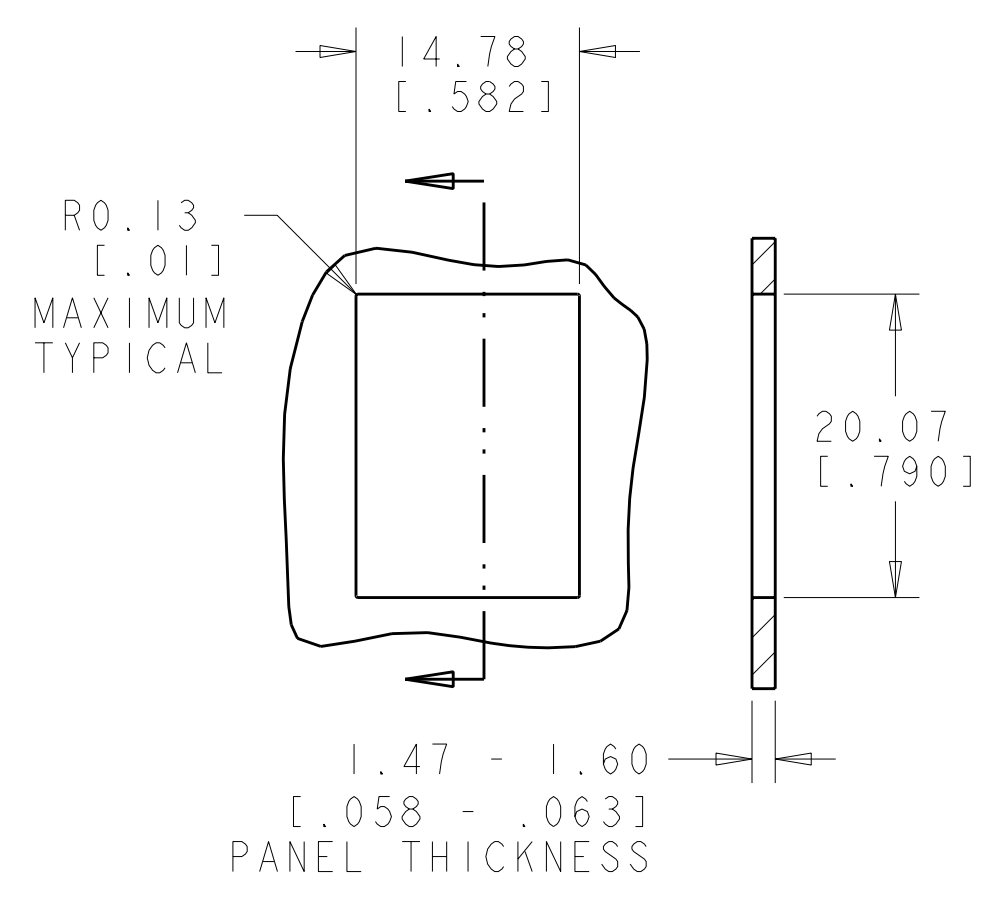
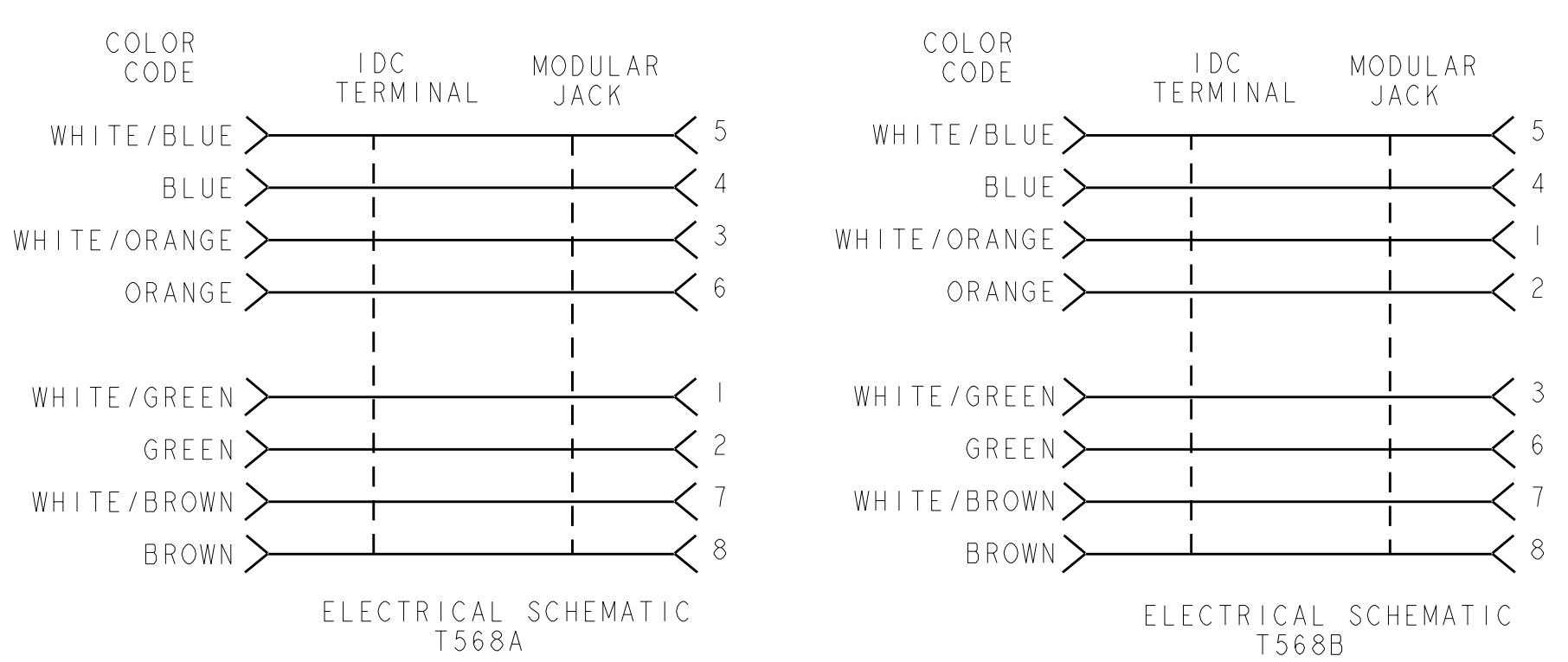
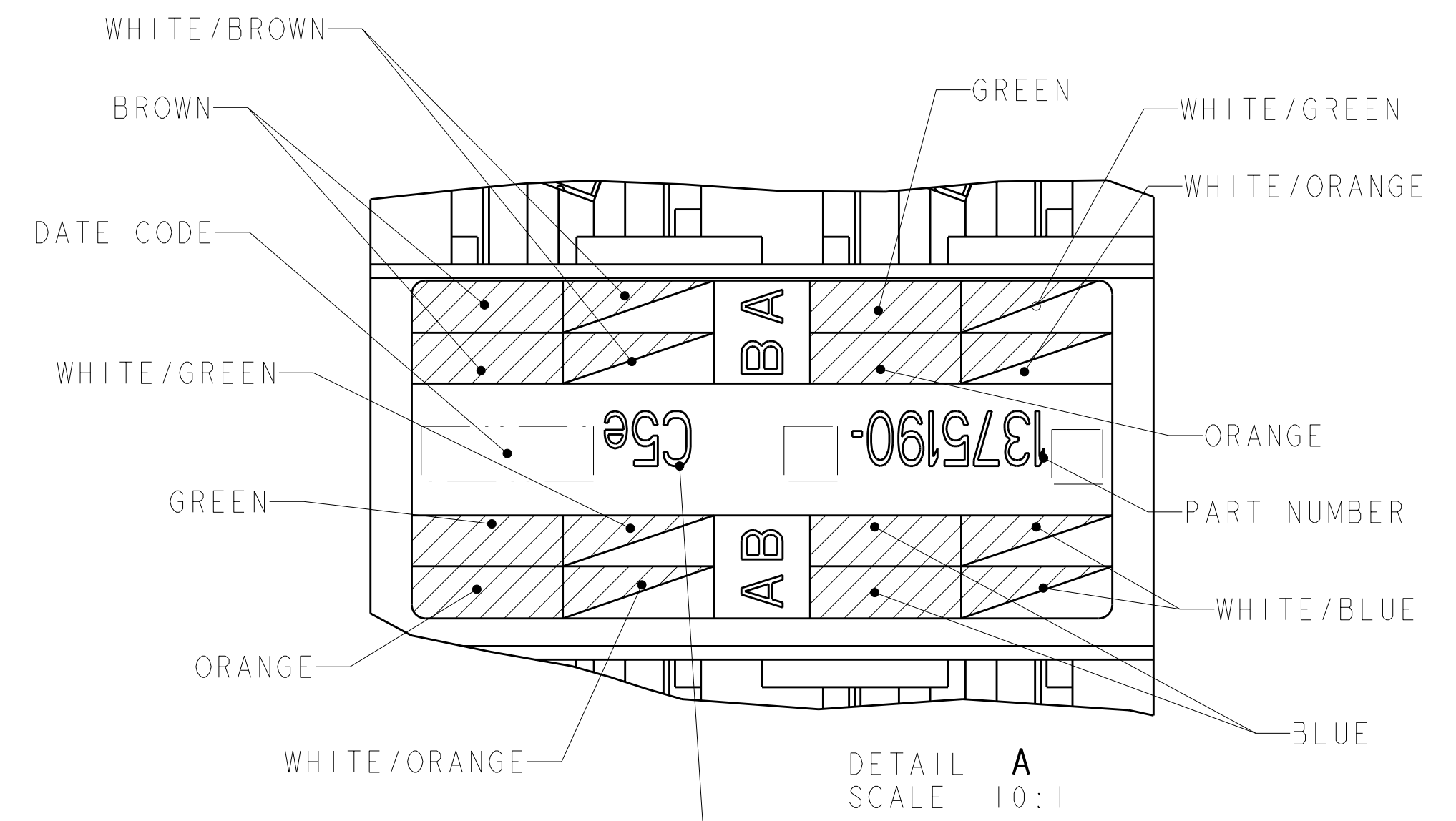
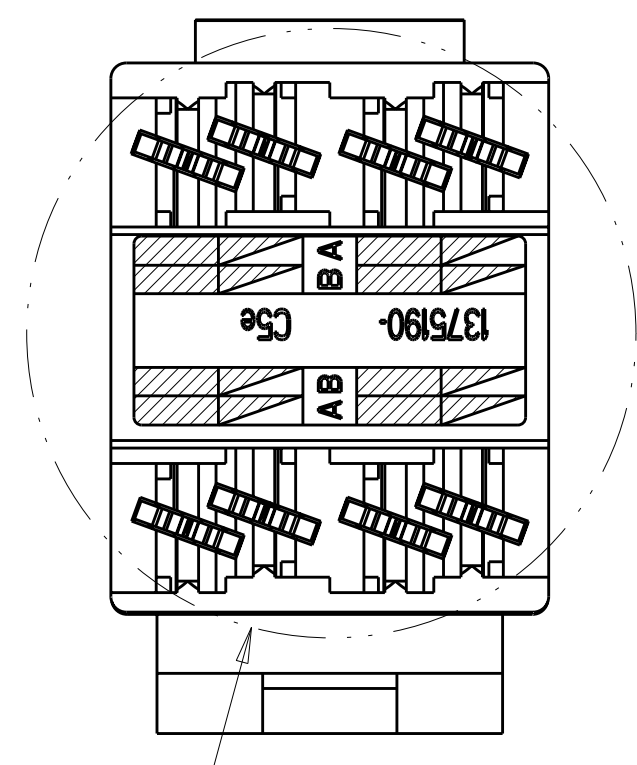
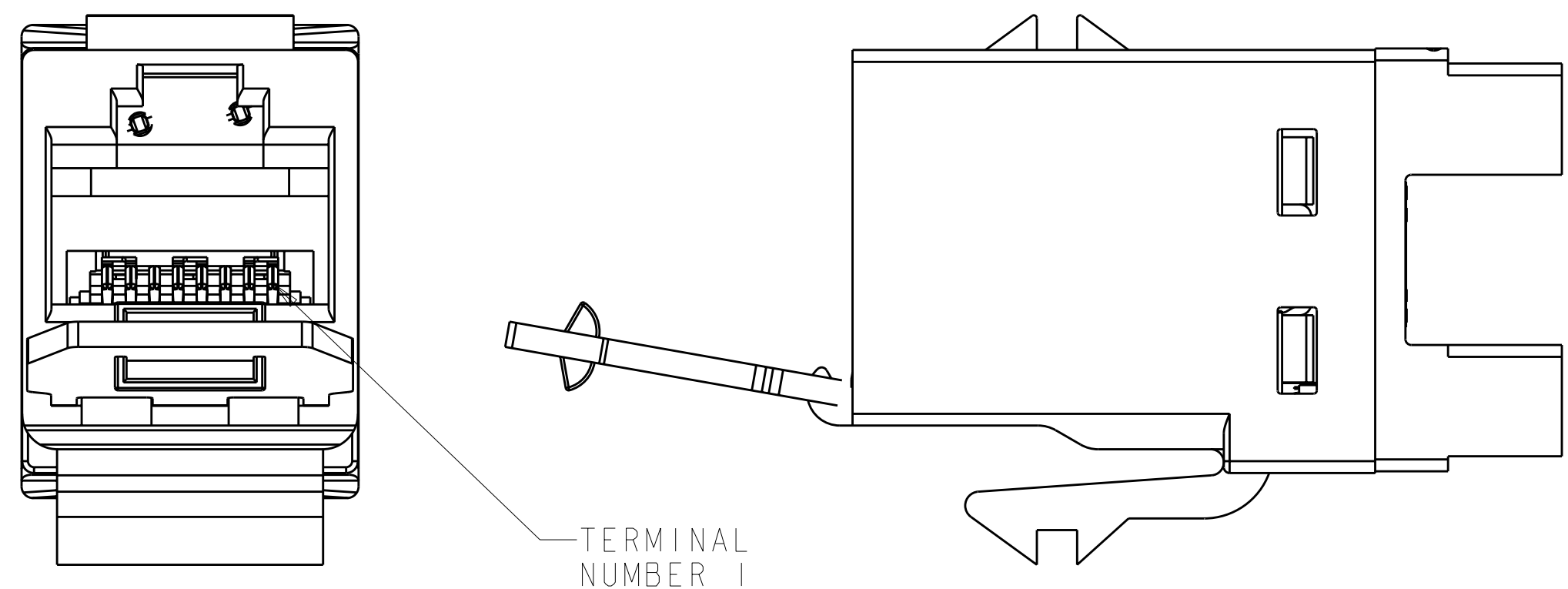


LOC	DIST	REV	DATE	BY	APPD
HM	00				

REVISIONS		DATE	BY	APPD
H	ADD 1-3, REV ECO-10-004736	08MAR2010	LH	SA
J	REV ECO-11-018963	20SEP2011	LH	SA
K	REV ECO-11-019781	07OCT2011	JB	SA



1. MATERIAL: JACK HOUSING - POLYCARBONATE, 94V-0 RATED. 110 BLOCK, STRAIN RELIEF AND DOOR - POLYCARBONATE. ARRAY TRAY - PBT POLYESTER. JACK CONTACTS ARRAY - BERYLLIUM COPPER, PLATED WITH 1.27µm [.000050] MINIMUM THICK GOLD IN LOCALIZED AREA AND 3.81µm [.000150] MINIMUM THICK MATTE TIN IN BOARD INTERFACE AREA OVER 1.27µm [.000050] MINIMUM THICK NICKEL UNDERPLATE. IDC TERMINALS - PHOSPHOROUS BRONZE, PLATED WITH 3.81µm [.00015] MINIMUM THICK MATTE TIN OVER 1.27µm [.00005] MINIMUM THICK NICKEL UNDERPLATE.
2. SL 110 JACK WILL TERMINATE 22-24 AWG SOLID AND 24-26 AWG STRANDED CONDUCTORS, 1.27[.050] MAXIMUM INSULATION DIAMETER. JACK WILL ACCEPT CONDUCTORS UP TO 1.45 [.057] BUT REQUIRE THE USE OF A STRAIN RELIEF.
3. CAVITY CONFORMS TO FCC RULES AND REGULATIONS PART 68 SUBPART F REQUIREMENTS.
4. MOUNTING PANEL THICKNESS 1.47 - 1.60 [.058 - .063].
5. THESE TWO SUGGESTED CUTOUT OPENINGS ARE USED IN TANDEM WITH DUAL FRONT AND BACK CUTOUTS.
6. ONE MODULAR JACK ASSEMBLY AND ONE SHIELD PER POLYBAG.
7. USE OF BEND LIMITING STRAIN RELIEF IS OPTIONAL.
8. REFER TO 408-8858 FOR TERMINATION INSTRUCTIONS USING SL SERIES TOOL TERMINATION. REFER TO 408-8417 FOR TERMINATION INSTRUCTIONS USING 110 PUNCH DOWN TOOL.



PACKAGE	HOUSING COLOR	PART NUMBER
	ALPINE WHITE	1-1375190-3
	ELECTRIC IVORY	1-1375190-1
	VIOLET	1-1375190-0
	GREEN	1375190-9
	YELLOW	1375190-8
	RED	1375190-7
	BLUE	1375190-6
	ORANGE	1375190-5
	NEMA GRAY	1375190-4
	WHITE	1375190-3
	BLACK	1375190-2
	LIGHT ALMOND	1375190-1

THIS DRAWING IS A CONTROLLED DOCUMENT.

APPROVED: T. PITTS, 05NOV01
 CHK: L. SMITH
 C. DOOLEY

PRODUCT SPEC: 108-1990
 APPLICATION SPEC: 108-1990-2

ASSEMBLY, SL 110 JACK, DUSTCOVER, CATEGORY 5c

SIZE: A100779C=1375190

CUSTOMER DRAWING

SCALE: 4:1 SHEET 1 OF 1 REV K