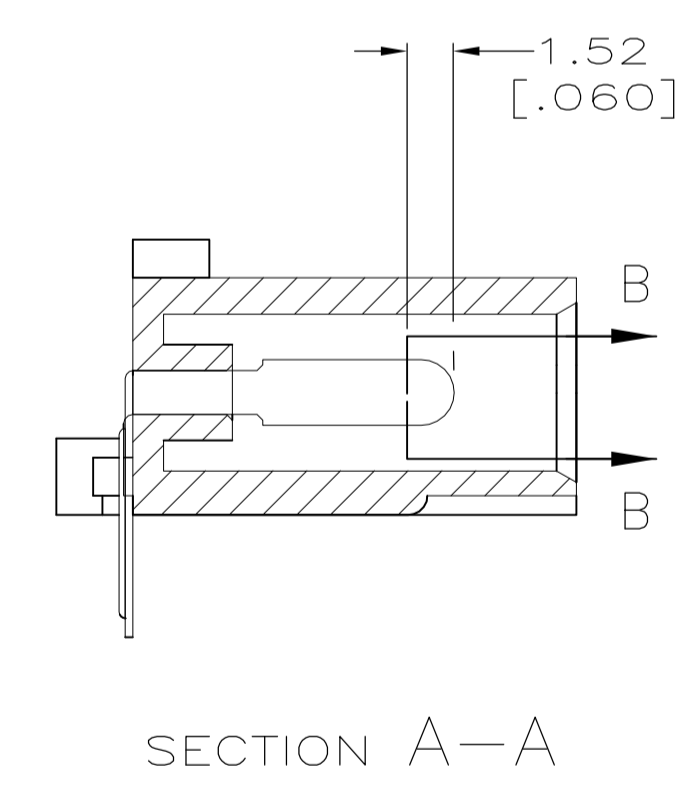
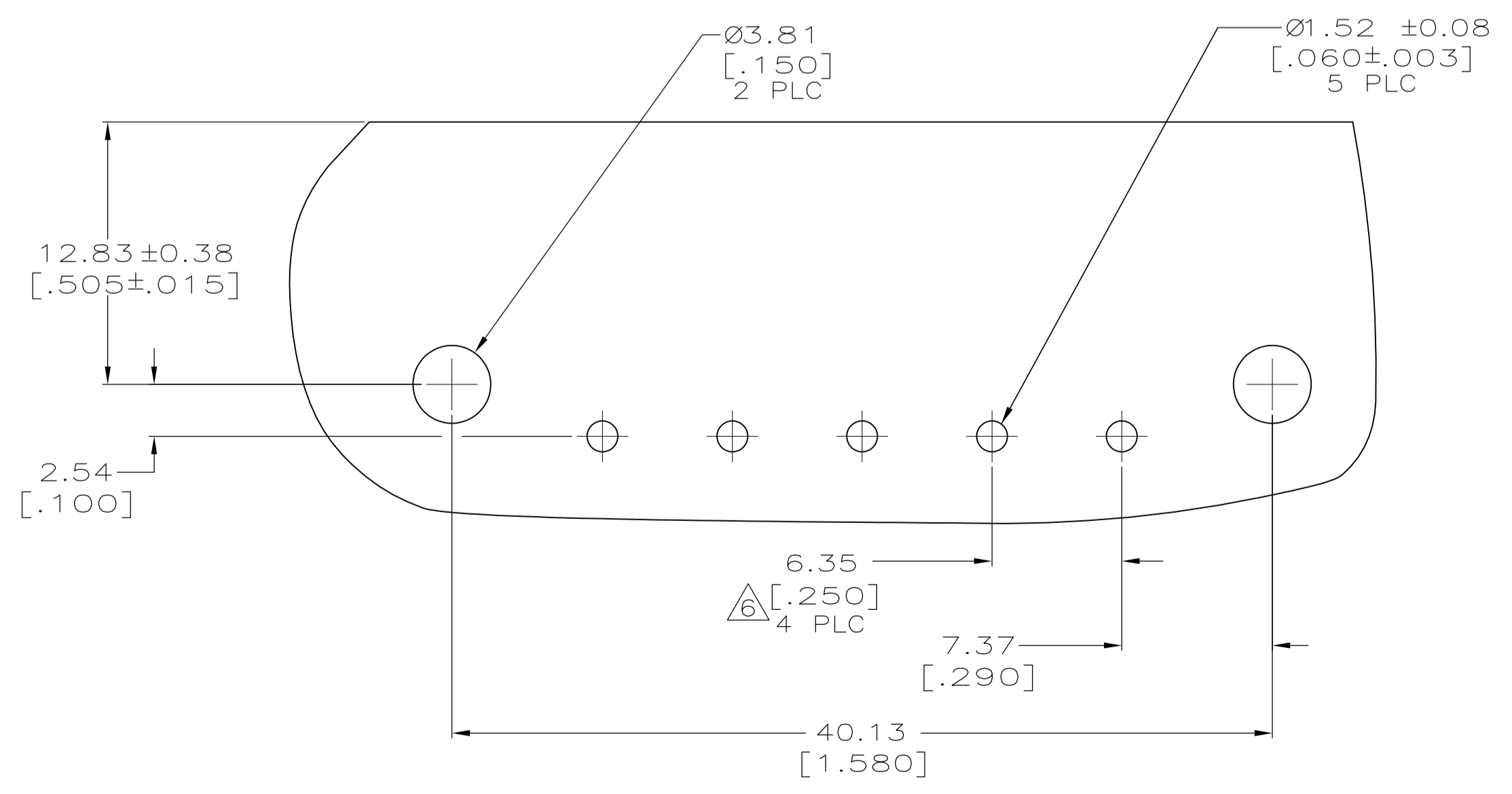
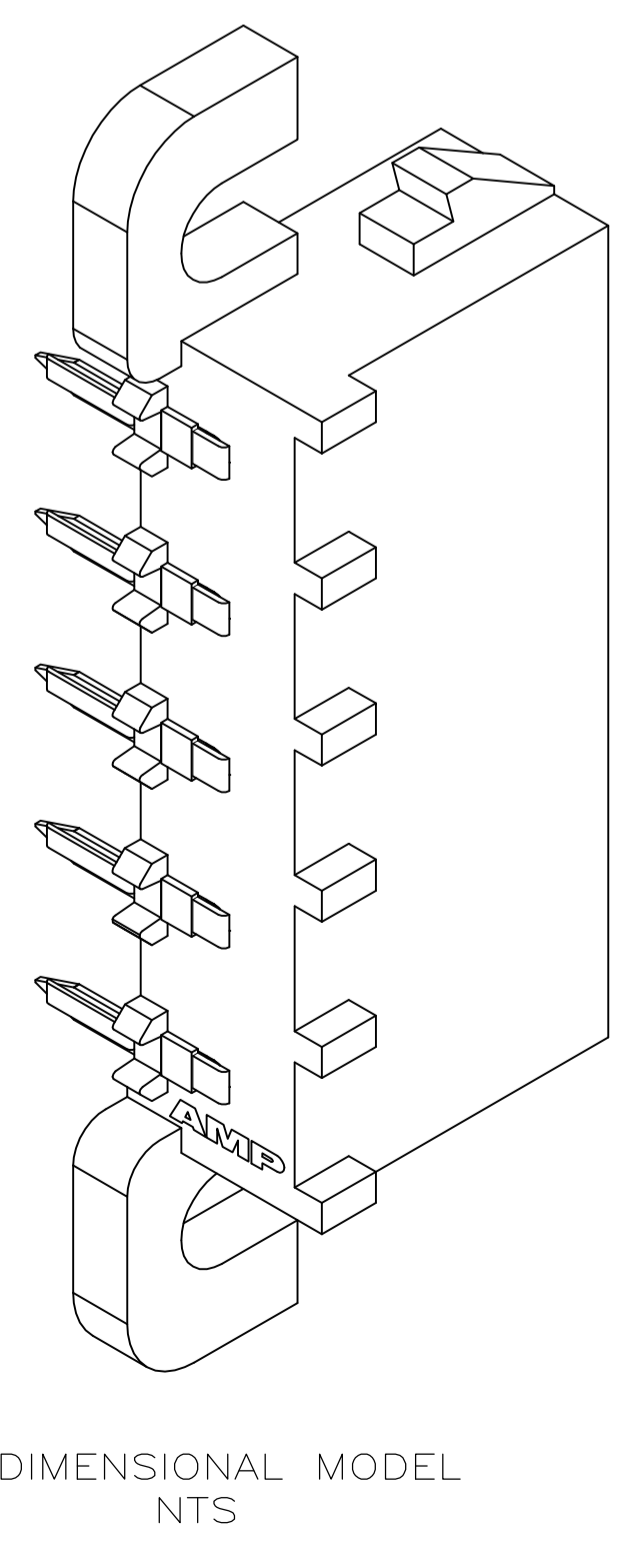
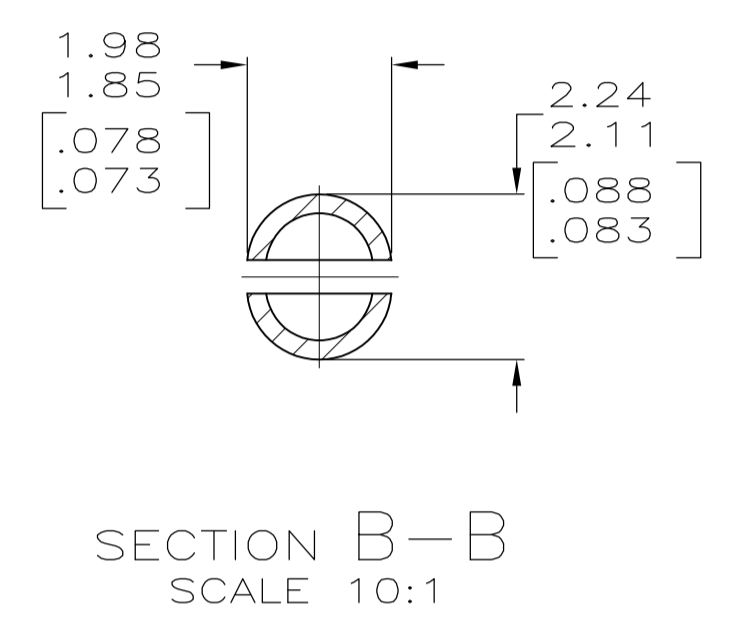
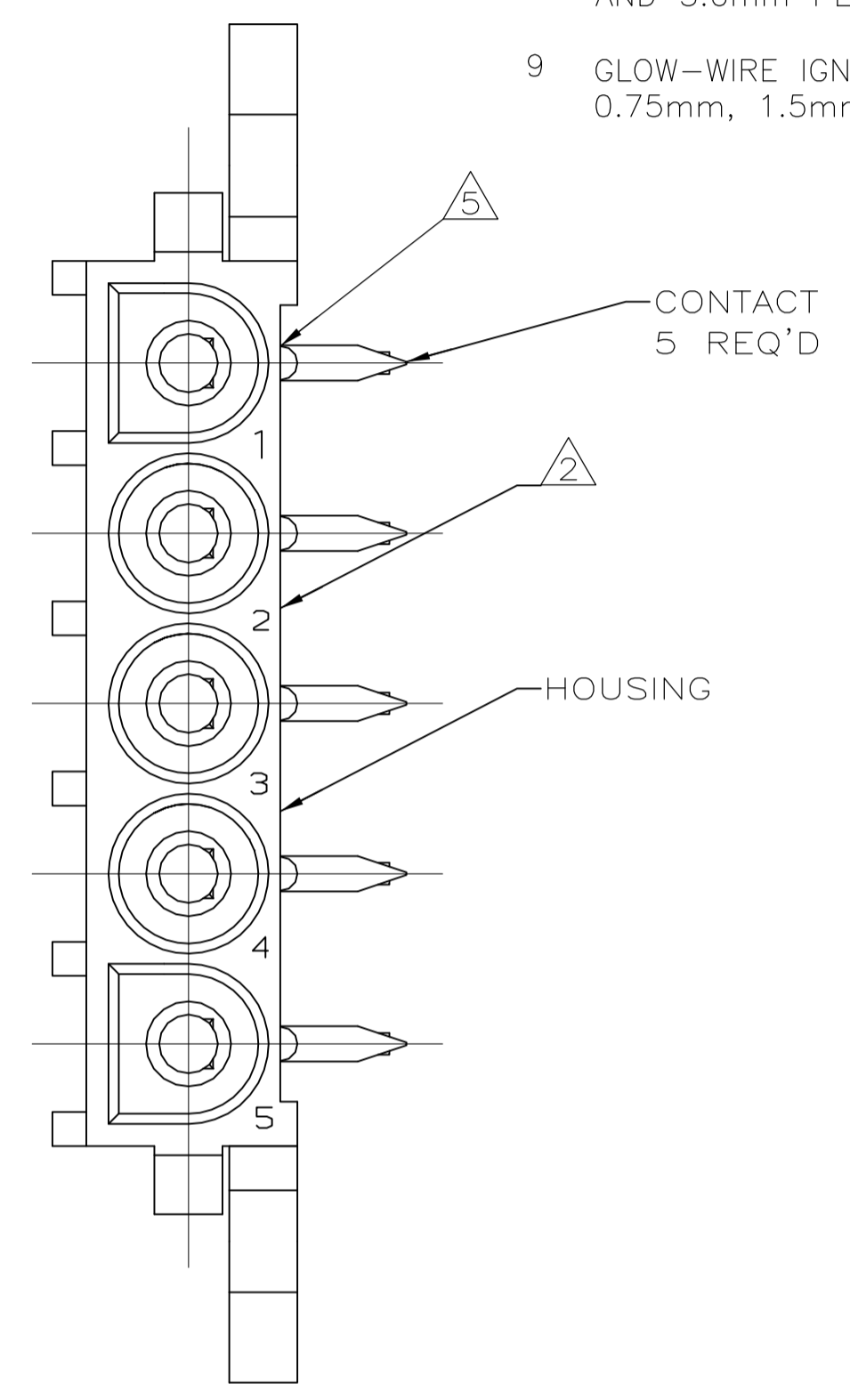
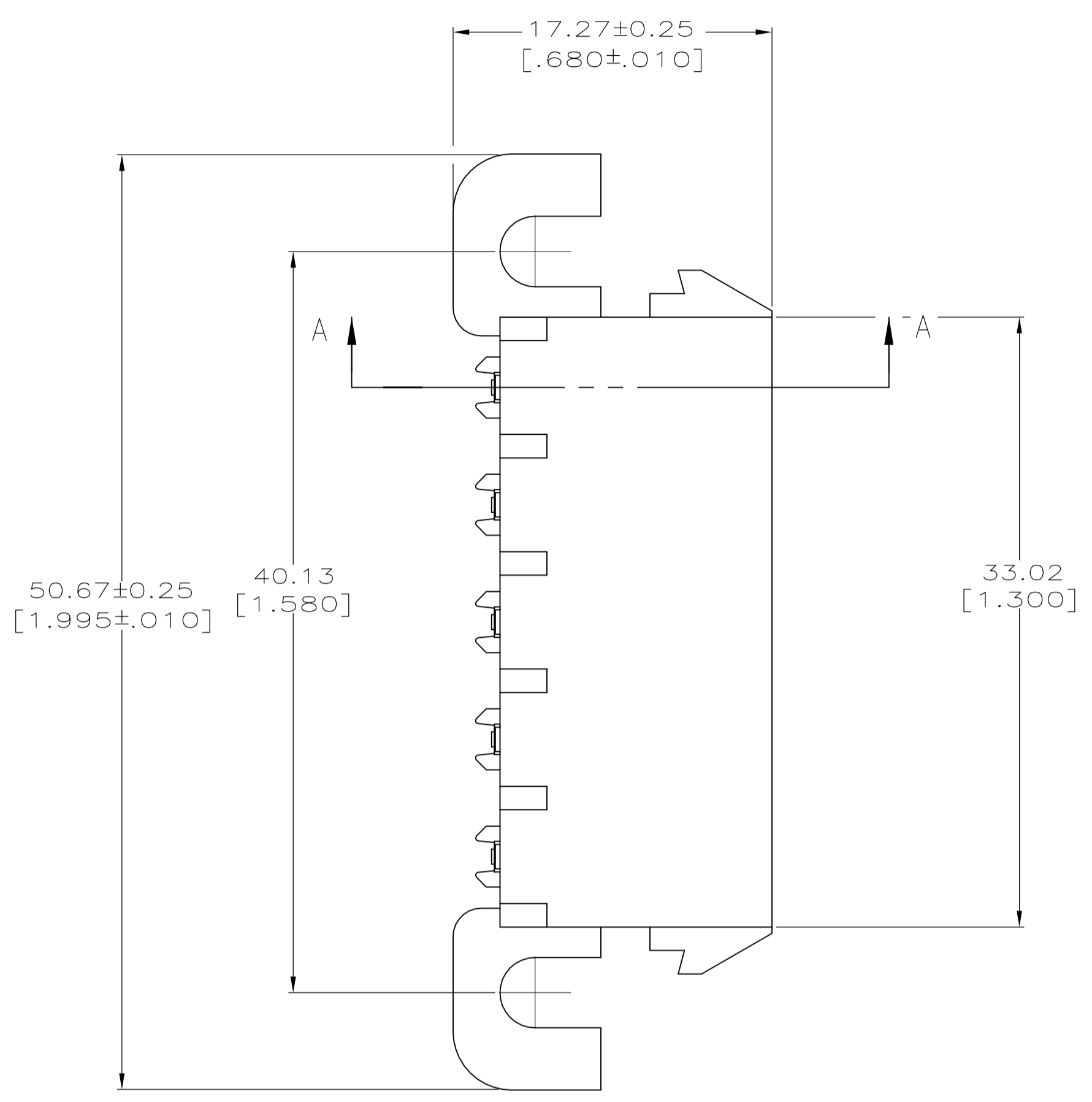
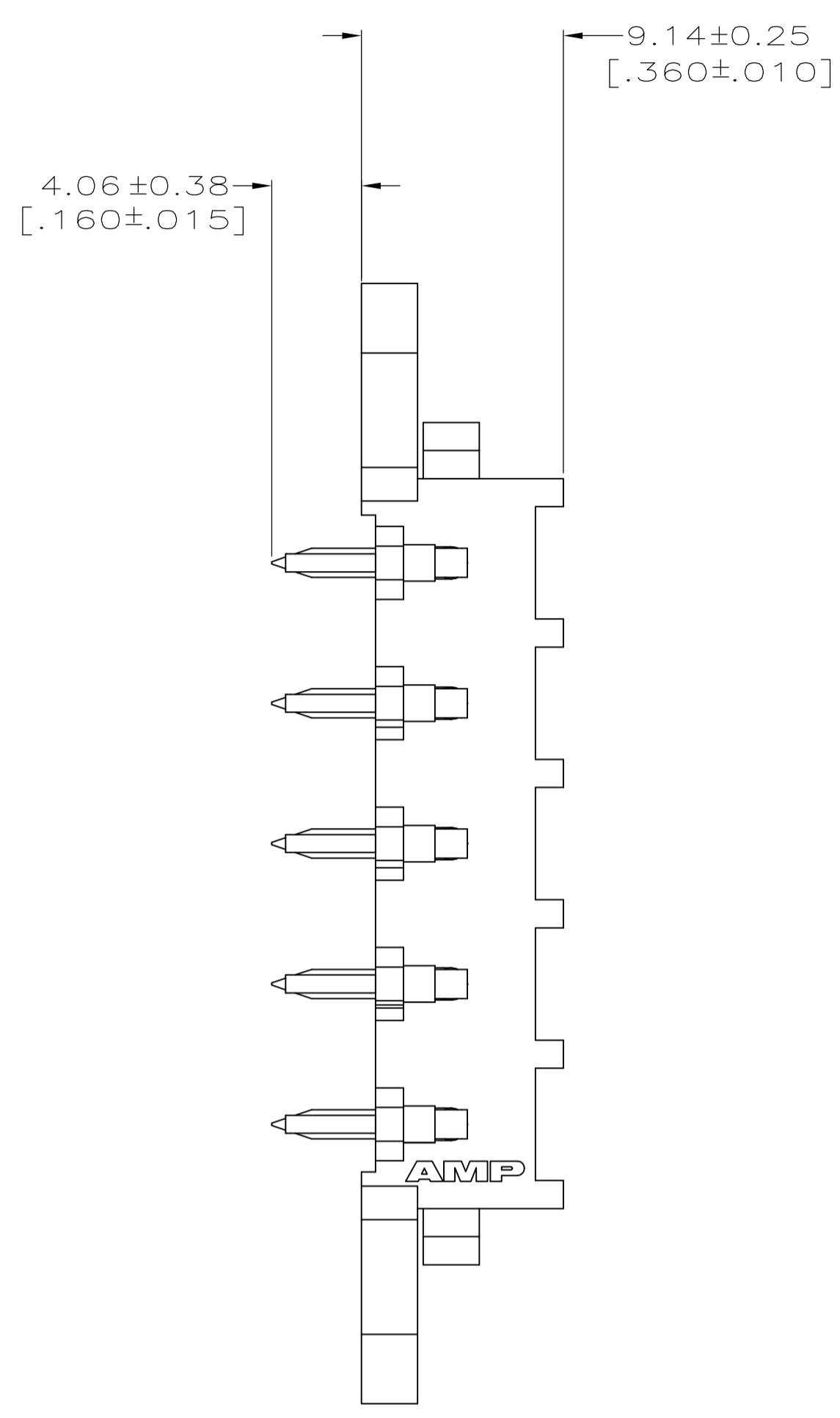


LOC		DIST		REVISIONS			
CM	00	P	LTR	DESCRIPTION	DATE	DWN	APVD
		B	REV PER	ECR 10-018921	14SEPT10	JR	TM

- PARTS COMPLY WITH AMP SOLDERABILITY SPECIFICATION 109-11-5.
- CIRCUIT IDENTIFICATION CHARACTERS ARE ADJACENT TO THE INDICATED CAVITIES, BUT LOCATION AND ORIENTATION MAY DIFFER FROM PRINT.
- TOLERANCE NON-CUMULATIVE
- DIMENSIONS IN BRACKETS ARE IN INCHES.
- OPTIONAL CONSTRUCTION MAY DELETE THIS RIB.
- FLAMMABILITY V2 FOR THICKNESS 0.38mm, 1.5mm, and 3.0mm PER IEC 60695-11-10.
- GLOW-WIRE FLAMMABILITY (GWFI) 800°C FOR THICKNESS 0.38mm AND 0.75mm PER IEC 60695-2-12.
- GLOW-WIRE FLAMMABILITY (GWFI) 960°C FOR THICKNESS 1.5mm AND 3.0mm PER IEC 60695-2-12.
- GLOW-WIRE IGNITION (GWIT) 825°C FOR THICKNESS 0.38mm, 0.75mm, 1.5mm AND 3.0mm PER IEC 60695-2-13.



RECOMMENDED MOUNTING HOLE PATTERN FOR .062 [1.57] THICK P.C. BOARD



THIS DRAWING IS A CONTROLLED DOCUMENT.		DIN K WHITAKER 14MAR2008		Tyco Electronics Corporation	
DIMENSIONS: mm [INCHES]		CHK D COLEY 14MAR2008		Harrisburg, Pa 17105-3608	
TOLERANCES UNLESS OTHERWISE SPECIFIED:		APVD D COLEY 14MAR2008		NAME	
0 PLC ± -	1 PLC ± -	PRODUCT SPEC		PIN HEADER ASSEMBLY, RIGHT	
2 PLC ± -	3 PLC ± 0.13 [0.005]	APPLICATION SPEC		ANGLE MOUNT, 5 POSITION,	
4 PLC ± -	ANGLES ± 0° 30'	WEIGHT		UNIVERSAL MATE-N-LOK (TM)	
MATERIAL SEE TABLE	FINISH SEE TABLE	SIZE	CAGE CODE	DRAWING NO	RESTRICTED TO
		A1	00779	1586898	
CUSTOMER DRAWING		SCALE	4:1	SHEET	1 OF 1
				REV	B