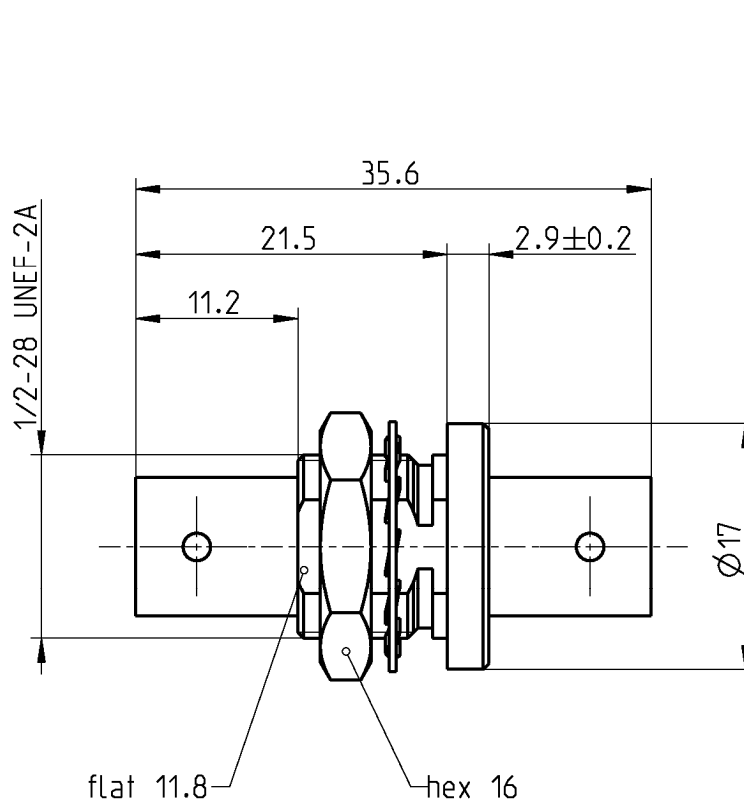


BNC 75 Ω ADAPTOR JACK – JACK WITH INSULATED ROUND FLANGE

71K542-K00A5



All dimensions are in mm; tolerances according to ISO 2768 m-H

Interface

Compatible to IEC 61169-8, MIL-PRF-39012, CECC 22120

Documents

Panel piercing B 3

Material and plating

Connector parts

Center contact
Outer contact
Body
Dielectric
Insulated round flange

Material

CuNi1Pb1P
Brass
Brass
PTFE
POM

Plating

AuroDur®, gold plated
Nickel, 2.5-5 µm
Nickel, 2.5-5 µm

Dieses Dokument ist urheberrechtlich geschützt • This document is protected by copyright • Rosenberger Hochfrequenztechnik GmbH & Co. KG

RF_35/05.10/6.0

BNC 75 Ω ADAPTOR JACK – JACK
WITH INSULATED
ROUND FLANGE

71K542-K00A5

Electrical data

Impedance 75 Ω
 Frequency DC to 4 GHz
 Return loss ≥ 36 dB @ DC to 1 GHz
 ≥ 31 dB @ 1 GHz to 2 GHz
 ≥ 29 dB @ 2 GHz to 3 GHz
 Insertion loss ≤ 0.05 x √ f [GHz] dB, DC to 3 GHz
 Insulation resistance ≥ 5 GΩ
 Center contact resistance ≤ 20 mΩ
 Outer contact resistance ≤ 5 mΩ
 Test voltage (at sea level) 1500 V rms
 Working voltage (at sea level) 400 V rms
 Power handling (at 20 °C, sea level, VSWR 1.0) ≤ 80 W @ 2 GHz

Mechanical data

Mating cycles ≥ 500
 Center contact captivation: axial ≥ 15 N

Environmental data

Temperature range -25 °C to +110 °C
 Thermal shock MIL-STD-202, Method 107, Condition B
 Corrosion resistance MIL-STD-202, Method 101, Condition B
 Vibration MIL-STD-202, Method 204, Condition B
 Shock MIL-STD-202, Method 213, Condition G
 Moisture resistance MIL-STD-202, Method 106
 RoHS compliant

Tooling

N/A

Suitable cables

N/A

Weight

Weight 13.9 g/pce

While the information has been carefully compiled to the best of our knowledge, nothing is intended as representation or warranty on our part and no statement herein shall be construed as recommendation to infringe existing patents. In the effort to improve our products, we reserve the right to make changes judged to be necessary.

Draft	Date	Approved	Date	Rev.	Engineering change number	Name	Date
Gasteiger A.	14.03.12	Sa. Krautenbacher	24.03.14	b00	14-0352	T. Krojer	24.03.14

Rosenberger Hochfrequenztechnik GmbH & Co. KG P.O.Box 1260 D-84526 Tittmoning Germany www.rosenberger.de				Tel. : +49 8684 18-0 Fax : +49 8684 18-499 Email : info@rosenberger.de		Page 2 / 2
--	--	--	--	---	--	---------------