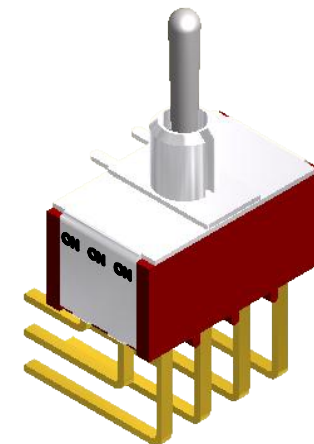
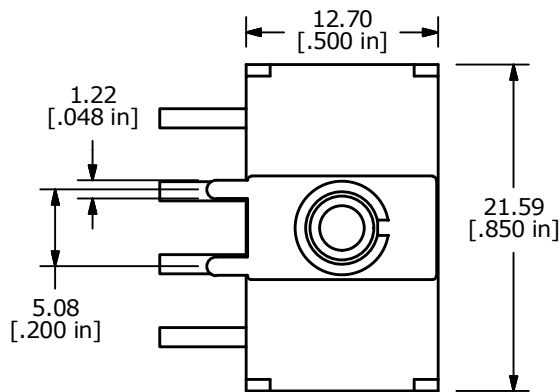
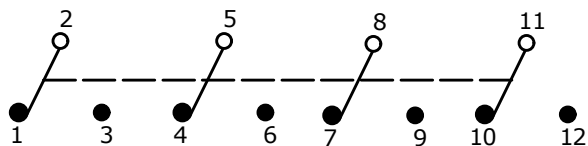


P.C. MOUNTING



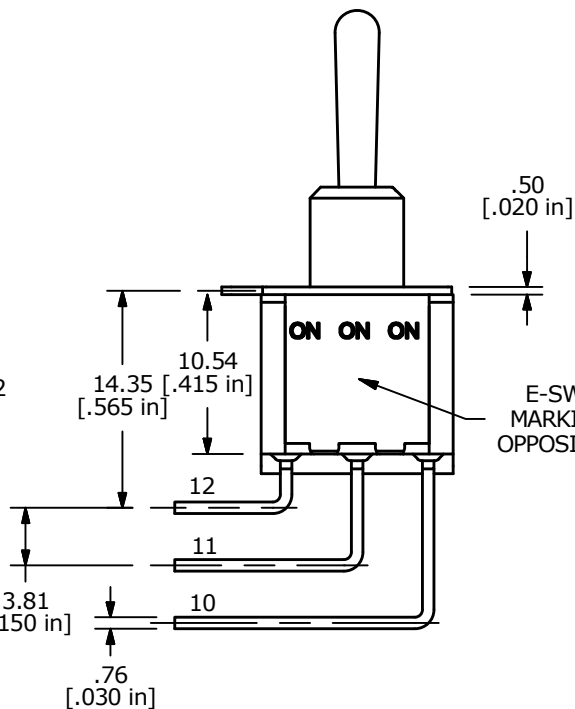
SWITCH FUNCTION		
POS. 1	POS. 2	POS. 3
ON	ON	ON
2-3, 5-6, 8-9, 11-12	2-3, 5-4, 8-9, 11-10	2-1, 5-4, 8-7, 11-10



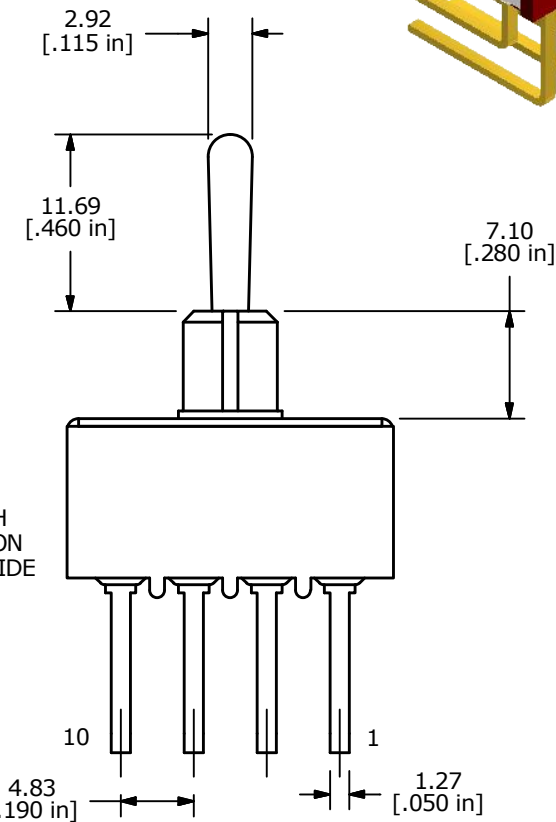
CIRCUIT: 4PDT

NOTE:

1. ALL DIMENSIONS IN MM [INCH]
2. GENERAL TOLERANCE: X.X=±0.4
X.XX=±0.25
3. TERMINAL NUMBERS FOR REF ONLY
4. PLATING MATERIAL: GOLD
5. RATING: 0.4 (VA) Max. @20V Max.
6. ELECTRIC LIFE: 40,000 make-and-break cycles at full load.
7. INSULATION RESISTANCE: 1,000 Mega-ohm min.
8. DIELECTRIC STRENGTH: 1,000 V RMS @sea level.
9. OPERATING TEMP.: -30°C to 85°C
10. ▲ DENOTES CRITICAL PARAMETER.
11. 2011/65/EU (ROHS) COMPLIANT



E-SWITCH MARKING ON OPPOSITE SIDE



G	22512	UPDATED TERMINALS	9/16/16	MJR
F	15881	CORRECT TERMINAL NUMBERS	3/21/06	PH
REV	PCR NO	DESCRIPTION	DATE	BY

TITLE 1004P6T1B4M7QE				
SCALE 2:1	DATE 3/1/1999	DR MM	DWG T146007	REV G