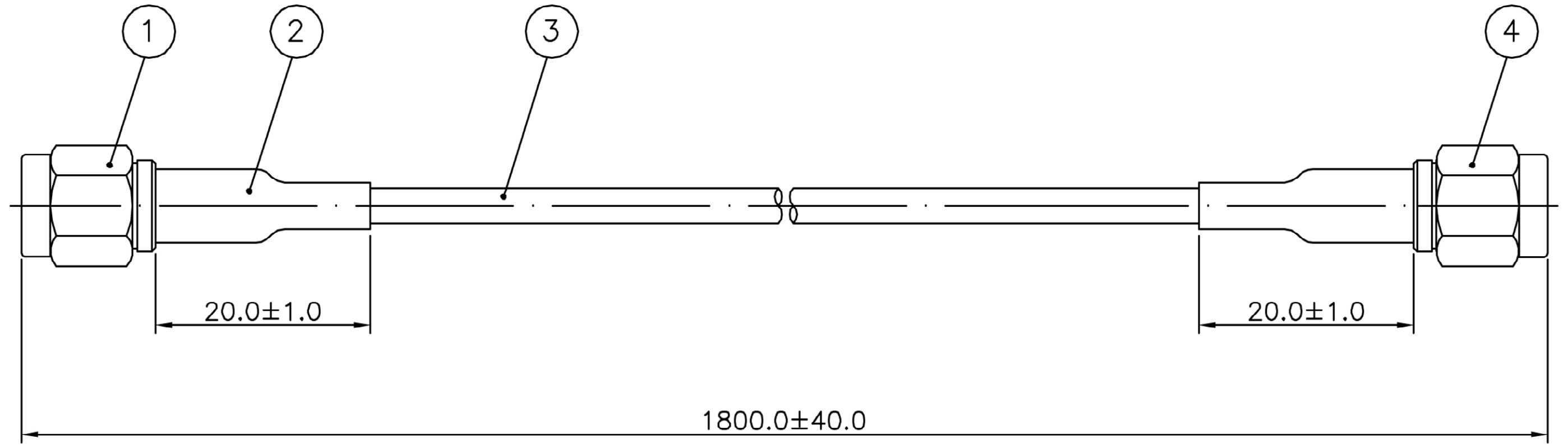


8 7 6 5 4 3 2 1

H
G
F
E
D
C
B
A



Notes

- 1. SMA (M) Bulkhead Straight
 - 2. Heatshrink
 - 3. RG58 Cable
 - 4. RP-SMA (M) Bulkhead Straight
- Impedance 50ohm
DC-2.7GHz
VSWR: ≤ 1.4
All Dimensions in mm



NOT TO SCALE

DESCRIPTION				
Cable Assy SMA(M) straight plug to Reverse Polarity SMA(M) RP-Plug 1.8m				
FILENAME	DRAWN BY	DATE	REVISED	PAGE
CBA-SMA-SMA18.VSD	John Fairall		15/04/2014	1 of 1
REVISIONS				
ZONE	REV	DESCRIPTION	DATE	APPROVED
N/A	1	First Issue	1.8.09	
	2	Correct Coax Cable type	14/4/14	jf
	3			
	4			
	5			
	6			

8 7 6 5 4 3 2 1