

MODEL NUMBER
PWD-5530-04-SMA-79

NOTES:

1.0 ELECTRICAL SPECIFICATIONS:

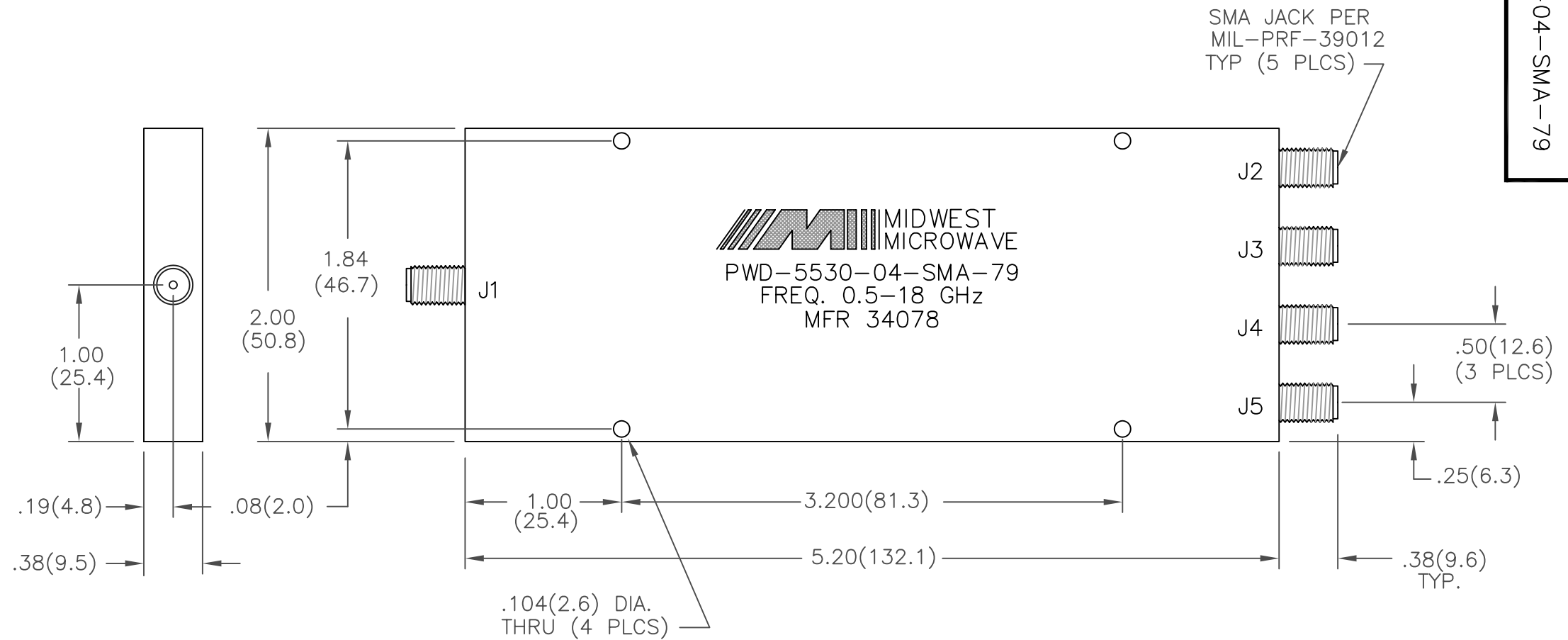
- 1.1 FREQUENCY RANGE: 0.5 to 18.0 GHz
- 1.2 INSERTION LOSS: $(0.5+0.20f)$ dB MAX.,
WHERE f =FREQUENCY IN GHz
- 1.3 ISOLATION: 16dB MIN.
- 1.4 VSWR (MAX): 1.50:1
- 1.5 OUTPUT UNBALANCE:
AMPLITUDE: 0.5dB MAX.
PHASE: 10°
- 1.6 MAX. INPUT POWER: 30 WATTS

2.0 FINISHING:

- 2.1 GREY PER MIL-E-15090 TYPE II, CLASS 2
OVER MIL-C-5541 CLASS 3A
MEETS MIL-F-14072
MEETS MIL-E-5400

- 2.2 MARKING: MARK UNIT AS SHOWN
(REF.: SLK-09423-82-04)

3.0 DIMENSIONS IN PARENTHESIS ARE
IN MILLIMETERS.



NOTICE: The information contained in this drawing is proprietary and must not be used without the permission of Emerson Network Power.	CAGE CODE	34078		MIDWEST MICROWAVE	
	 EMERSON Network Power Connectivity Solutions		TITLE POWER DIVIDER OUTLINE DRAWING		
UNLESS OTHERWISE NOTED DIMENSIONS ARE IN INCHES AND TOLERANCES ARE: 3 PLACE DECIMALS ±.005 2 PLACE DECIMALS ±.02 FRACTIONS ±1/64 PARALLELITY: T.I.R. _____ FLATNESS: T.I.R. _____ CONCENTRICITY: T.I.R. _____ ANGLES AND PERPENDICULARITY: ±1°	DRAWN/DATE A.BEATTY 5/26/95	ENG./DATE J.O'NEIL 6/1/95	DRAWING NUMBER PWD-5530-04-SMA-79-01		REV. A
	CHECKED/DATE	APPROVED/DATE	SCALE: 1=1	SHEET 1 of 1	

REV.	DESCRIPTION	DATE
-	RELEASED	6/1/95
A	ECN 18585	6/17/02