

Panel mounting frames - VS-PPC-F1-RJ45-MNNA-1R-F - 1405358

Please be informed that the data shown in this PDF Document is generated from our Online Catalog. Please find the complete data in the user's documentation. Our General Terms of Use for Downloads are valid (<http://phoenixcontact.com/download>)



RJ45 panel mounting frame, IP67, for push-pull interlocking, metal, with the Freenet system, for square panel cutout, with grommet, without mounting screws



Key Commercial Data

Packing unit	1 STK
GTIN	
GTIN	4046356419949

Technical data

Mechanical characteristics

Color	silver
Degree of protection	IP65/IP67
Type	RJ45, IP65/67, version 14
Note	This product corresponds to the PROFINET Cabling and Interconnection Technology Guideline for PROFINET regulations, version 2.00, order no: 2.252, Chapter 8.2 Connectors for Outside Environment (Balanced cabling) and chapter 13 Application specific Cabling and Interconnection Technology (AIDA)

Ambient conditions

Ambient temperature (operation)	-40 °C ... 70 °C
---------------------------------	------------------

Material data

Flammability rating according to UL 94	V0
Housing material	Zinc die-cast
Housing surface material	Nickel-plated
Material	Metal
Height	42 mm

Standards and Regulations

Flammability rating according to UL 94	V0
--	----

Panel mounting frames - VS-PPC-F1-RJ45-MNNA-1R-F - 1405358

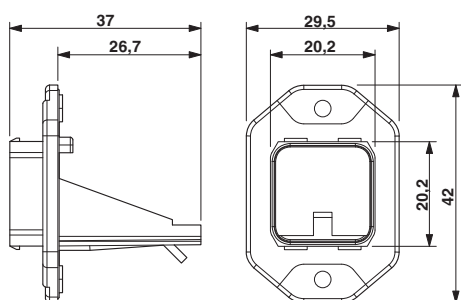
Technical data

Environmental Product Compliance

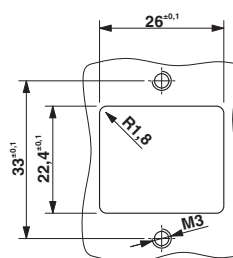
China RoHS	Environmentally friendly use period: unlimited = EFUP-e
	No hazardous substances above threshold values

Drawings

Dimensional drawing



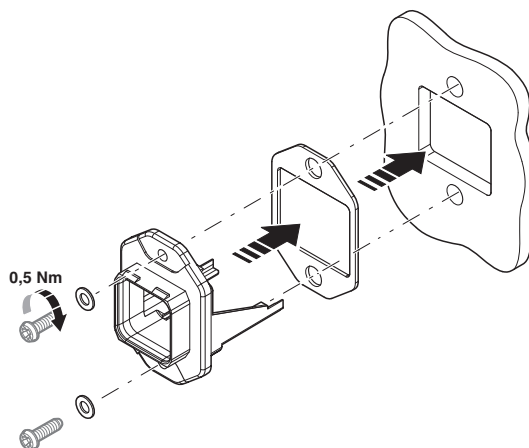
Dimensional drawing



Mounting cutout

Push-Pull panel mounting frame, Freenet system, IP67

Explosion drawing



Phoenix Contact 2018 © - all rights reserved
<http://www.phoenixcontact.com>

PHOENIX CONTACT GmbH & Co. KG
Flachmarktstr. 8
32825 Blomberg
Germany
Tel. +49 5235 300
Fax +49 5235 3 41200
<http://www.phoenixcontact.com>