

4

3

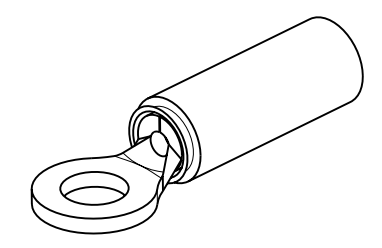
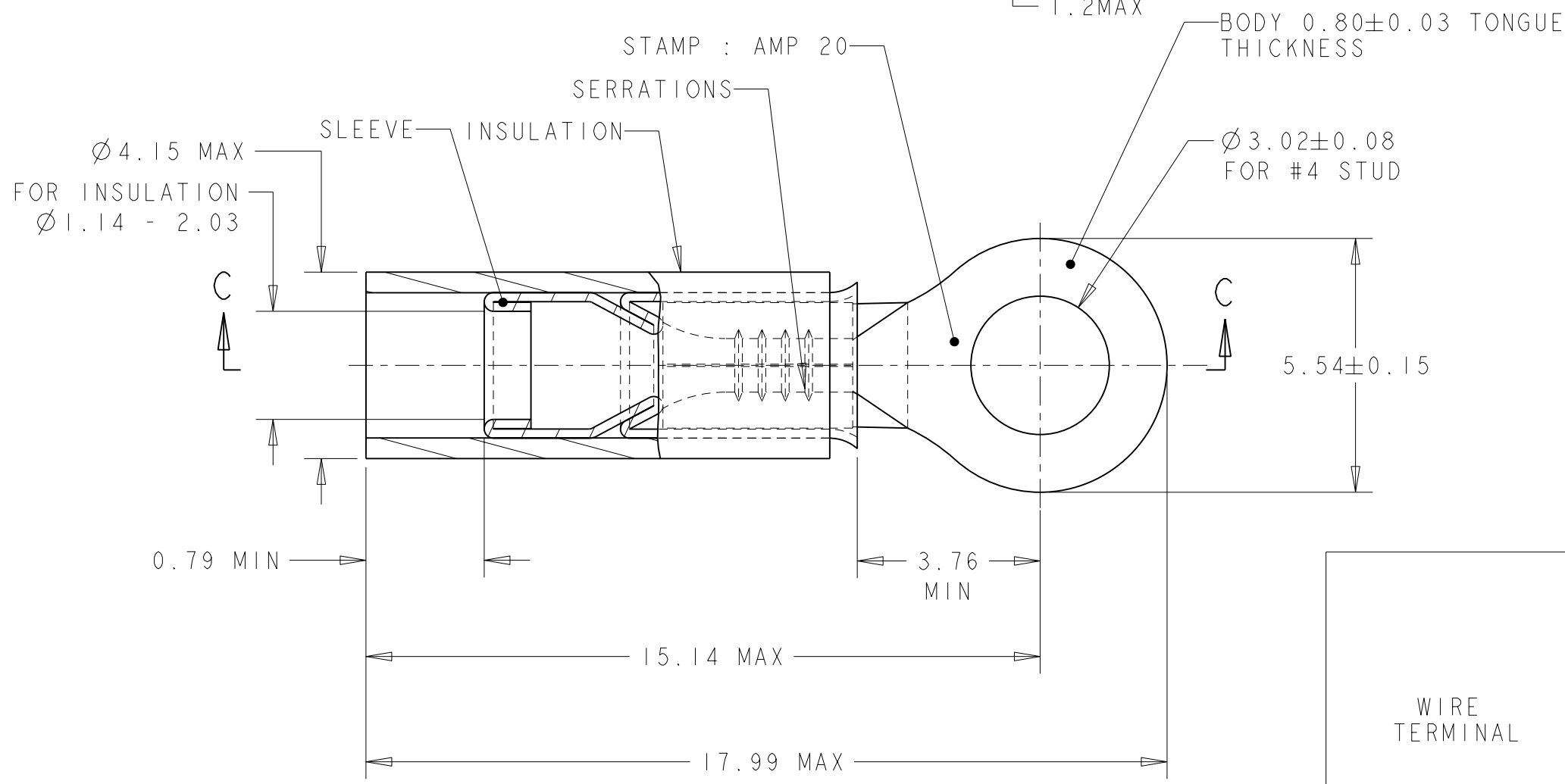
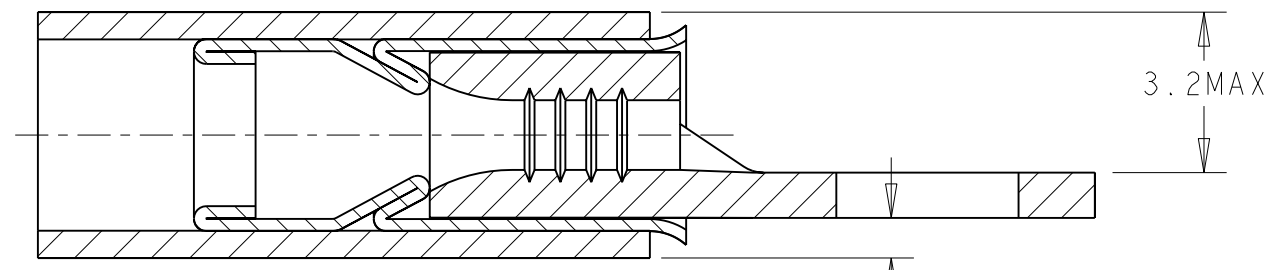
2

1

THIS DRAWING IS UNPUBLISHED. RELEASED FOR PUBLICATION 20
 © COPYRIGHT 20 BY TYCO ELECTRONICS CORPORATION. ALL RIGHTS RESERVED.

LOC	DIST	REVISIONS			
P	LTR	DESCRIPTION	DATE	DWN	APVD
F	00	B	ECR 07-025006	25OCT2007	JT GR

COUPE C-C



SCALE 3:1

WIRE TERMINAL	1577626-1	BODY : COPPER ANNEALED FINISH : NICKEL PLATED
		SLEEVE : COPPER ANNEALED FINISH : NICKEL PLATED
		INSULATION : PEEK COLOR : GREY
DESCRIPTION	PART NUMBER	MATERIAL & FINISH

<small>THIS DRAWING IS A CONTROLLED DOCUMENT FOR TYCO ELECTRONICS CORPORATION IT IS SUBJECT TO CHANGE AND THE CONTROLLING ENGINEERING ORGANIZATION SHOULD BE CONTACTED FOR THE LATEST REVISION.</small>		DWN JJ. DESPRETZ 02NOV2005 CHK G. ROBERT 02NOV2005 APVD Y. PETRONIN 02NOV2005		TYCO ELECTRONICS France SAS BP 30039, 95301 CERGY-PONTOISE Cedex	
DIMENSIONS: mm 		TOLERANCES UNLESS OTHERWISE SPECIFIED: 0 PLC ±- 1 PLC ±0.3 2 PLC ±- 3 PLC ±- 4 PLC ±- ANGLES ±5 FINISH SEE TABLE		NAME: TERMINAL, PEEK PIDG STRATO, 20 AWG PRODUCT SPEC: 108-15356 APPLICATION SPEC: 114-15102 WEIGHT: 0,58 gr	
MATERIAL: SEE TABLE		FINISH: SEE TABLE		SIZE: A3 CAGE CODE: 00779 DRAWING NO: C-1577626	RESTRICTED TO: - SCALE: 8:1 SHEET: 1 OF 1 REV: B