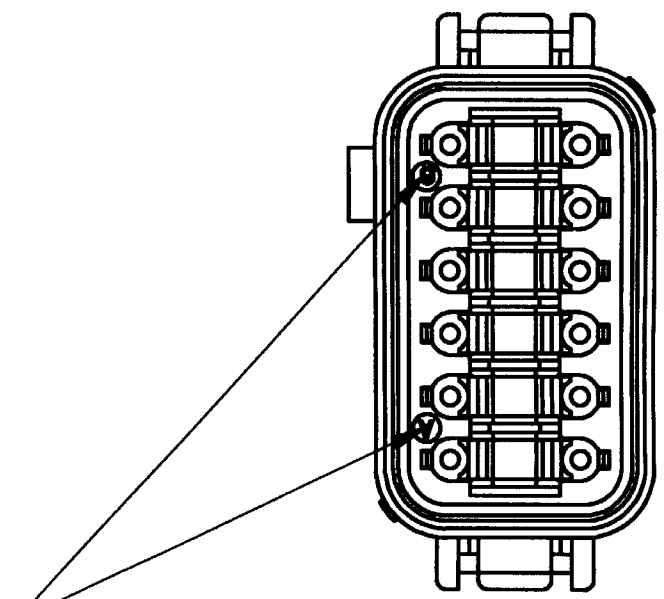
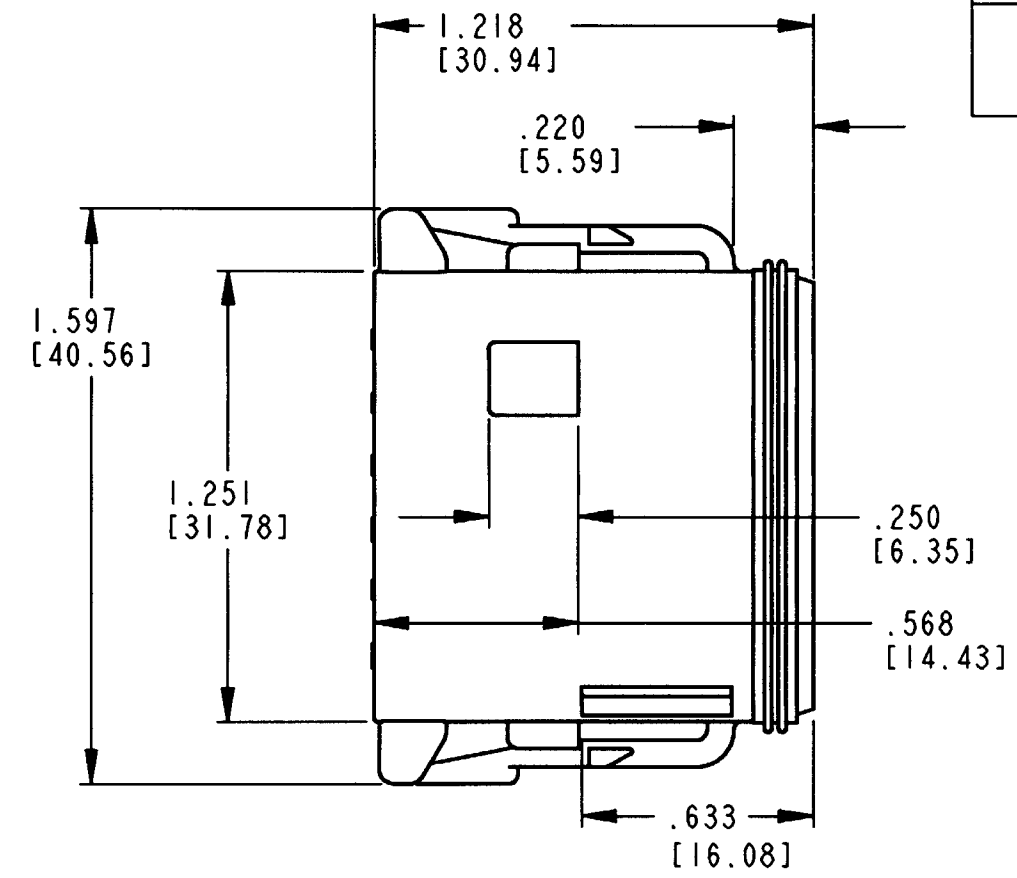
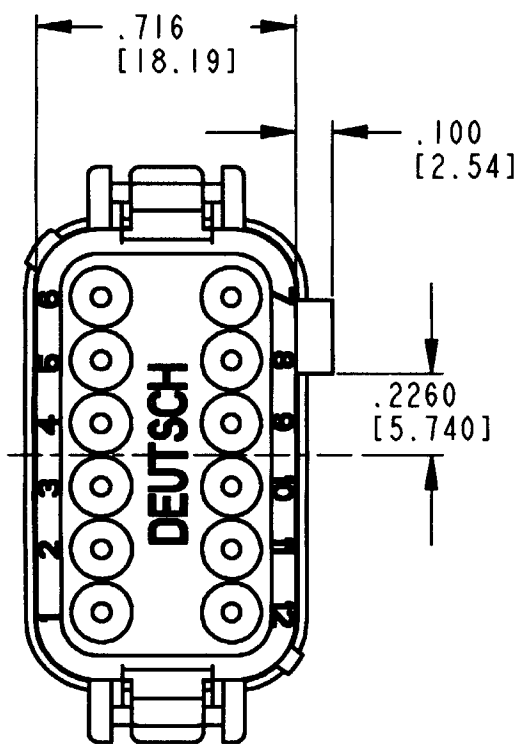


REV  
A DT06-12SC-B016

REVISIONS			
SYM	DESCRIPTION	DATE	APPROVED
NC	NEW RELEASE PER E.O. P15131	9/26/96	R.D.R
A	REVISED PER E.O. P17422	9-5-01	RDR

CONTACT SIZE	MIN. INSUL. O.D.	MAX. INSUL. O.D.	WIRE RANGE [mm <sup>2</sup> ] REF ONLY <sup>3</sup>
16	.088 [2.23]	.145 [3.68]	14-20 AWG [2.0-0.5]



DATE CODE  
MONTH IS REPRESENTED BY SEQUENTIAL ALPHA CHARACTERS.  
EX: A = JANUARY  
YEAR IS REPRESENTED BY LAST NUMERICAL DIGIT.  
EX: 0 = 2000.

4. THIS PLUG MATES WITH DT04-12PC-\*\*\*\* RECEPTACLE. (\*\*\*\* = ALL MODIFICATIONS) CONSULT FACTORY FOR MODIFICATIONS.
- <sup>3</sup> FOR CONTACTS AND WIRE PERFORMANCE AND APPLICATION CHARACTERISTICS SEE ENVELOPE DRAWINGS 0425-015-0000 AND 0425-017-0000.
2. ALL DIMENSIONS ARE ±.025[.63].
1. ALL DIMENSIONS ARE IN INCHES [METRIC].

NOTES:

PLUG INSERTS INTO RCPT. WITHIN THIS DISTANCE.

SIGNATURE & DATE		12 WAY PLUG -B016 MOD. KEY ARR. -C- COLOR: GREEN D.T. SERIES  ENVELOPE	CP	MATL CODE
DR	T. YOHANNES 30AUG01		The Deutch Company DEUTSCH I.P.D. 3850 INDUSTRIAL AVE. HEMET, CALIF. 92545	
CHK	<i>[Signature]</i> 7/4/01		B DT06-12SC-B016	
PE	<i>[Signature]</i> 9/4/01			
APPD	<i>[Signature]</i> 9/4/01			
SCALE	NONE WT	DWG SIZE	CODE 11139	SHEET   OF