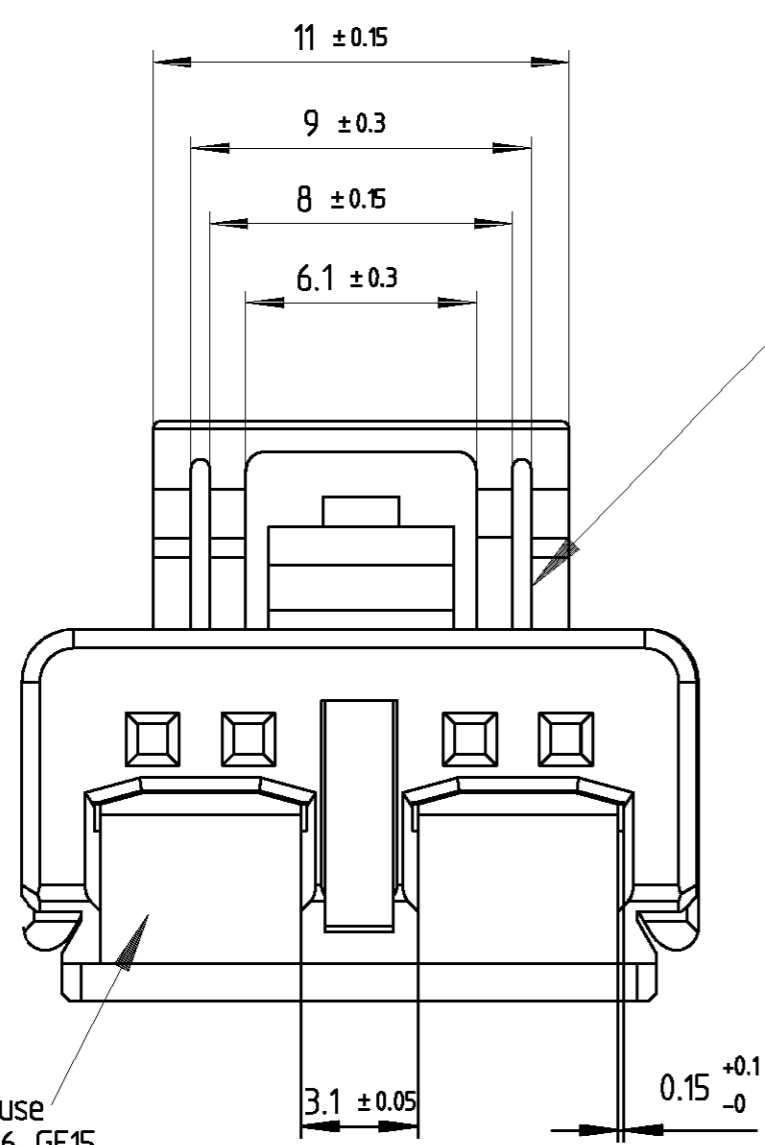


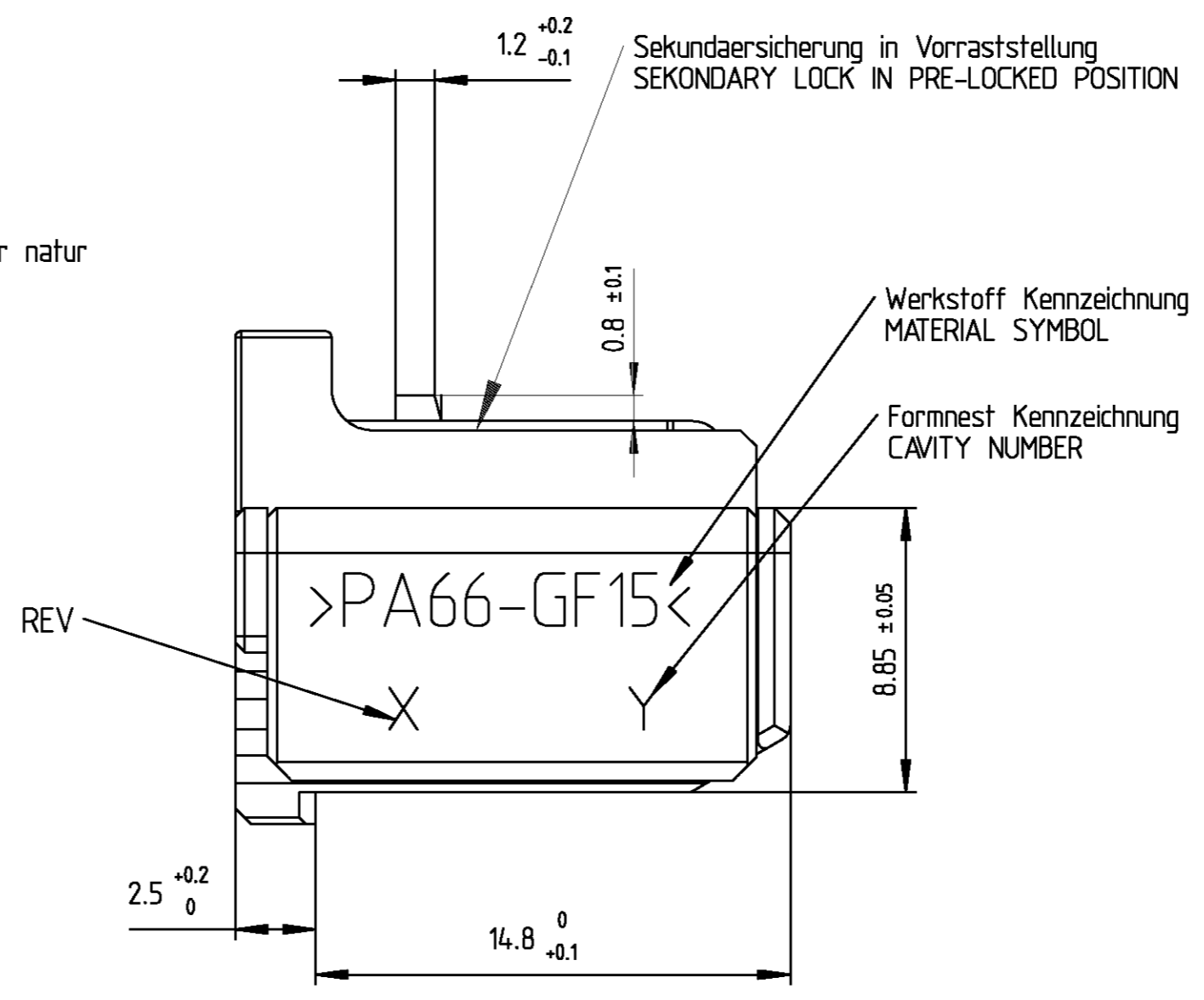
THIS DRAWING IS UNPUBLISHED. RELEASED FOR PUBLICATION 23.1.2001
 COPYRIGHT 2001 BY AMP INCORPORATED. ALL RIGHTS RESERVED.

REVISIONS					
P	LTR	DESCRIPTION	DATE	DWN	APVD
A1		EG00-0722-01	12.03.01	PS	BR
A2		added 141114-2-1	09.12.02	PS	BL
A3		DRAWING UPDATE, EG00-2068-03	11.06.03	PS	BL
A4		DRAWING UPDATE, EGA0-0149-03	14.08.03	PS	BL



Buchsengehäuse
 Material: PA66 GF15
 Farbe: verkehrsgelb
 SOCKET HOUSING
 MATERIAL: PA66 GF15
 COLOUR: TRAFFIC-YELLOW

Sekundaersicherung
 Material: PA66 GF15
 Farbe: verkehrspurpur oder natur
 SECONDARY LOCK
 MATERIAL: PA66 GF15
 COLOUR: NATURE

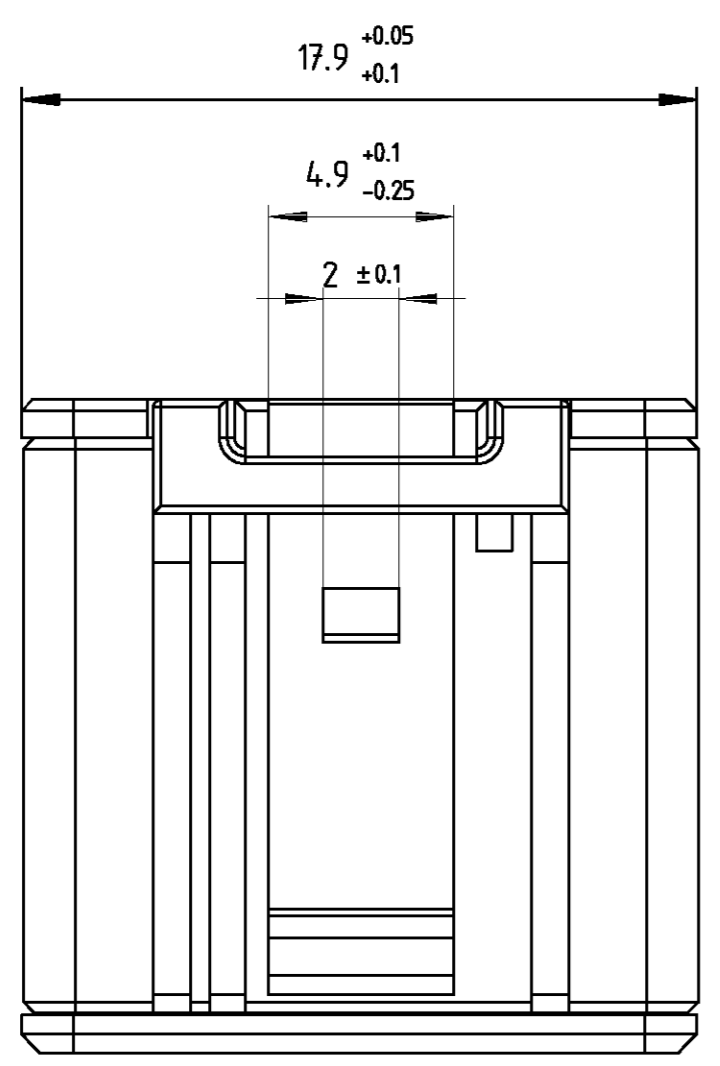
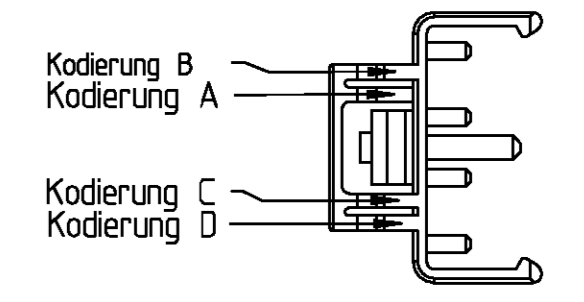


Sekundaersicherung in Vorraststellung
 SEKONDARY LOCK IN PRE-LOCKED POSITION

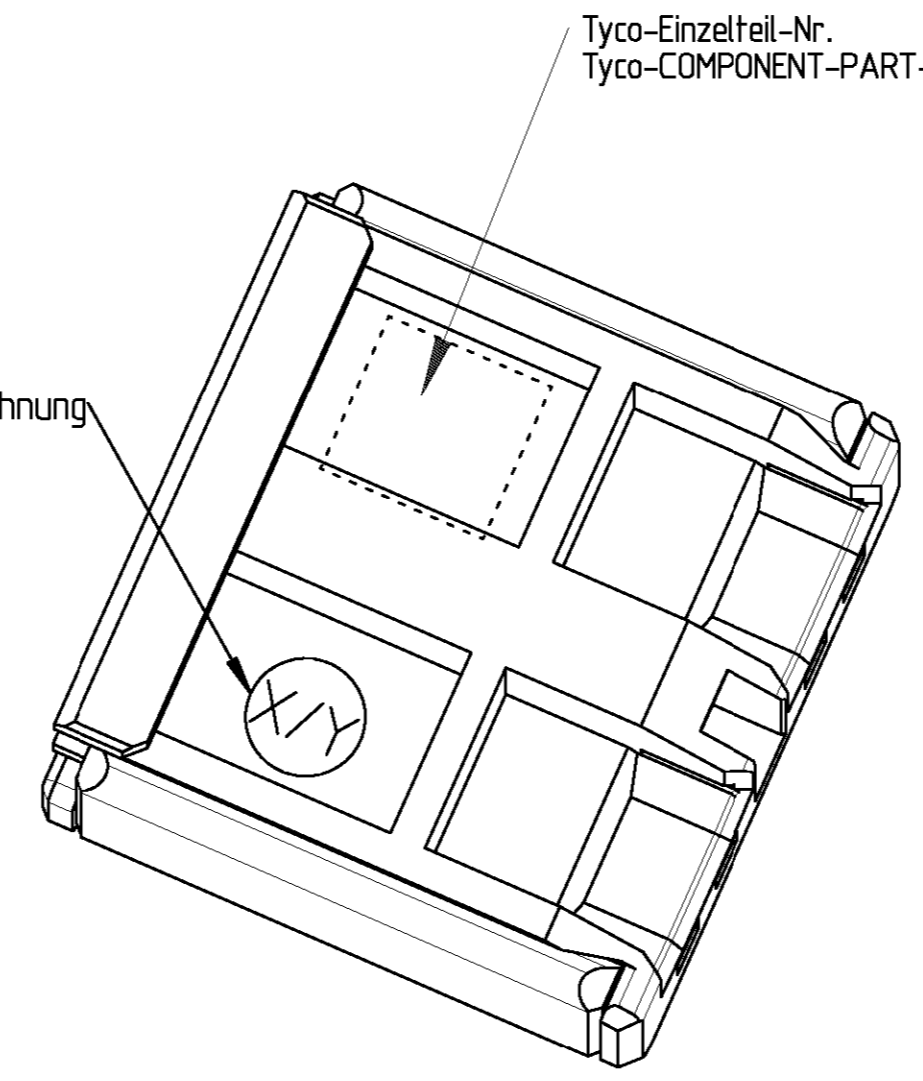
Werkstoff Kennzeichnung
 MATERIAL SYMBOL

Formnest Kennzeichnung
 CAVITY NUMBER

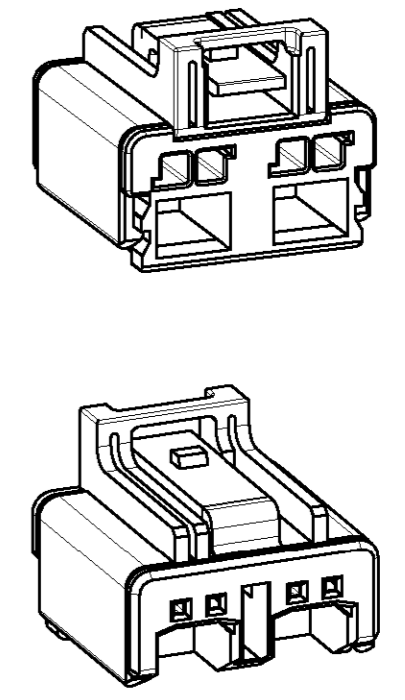
mögliche Kodierung an Buchsengehäuse-Assy
 POSSIBLE CODINGS AT SOCKET-HOUSING-ASSY



REV/Formnest-Kennzeichnung
 REV/CAVITY NUMBER



Tyco-Einzelteil-Nr.
 Tyco-COMPONENT-PART-NO.



Passende Stiftgehäuse:
 APPOSITELY PIN HOUSING

---	---
---	---
1411067-1	M5304-Y20
AMP	V23540-
Assy-PN	EC Bestell-Nr.

Diese Tyco AMP-Zeichnung ersetzt EC Zeichnung V23540-M5304-Y10-*-7427 und Stückliste V23540-M5304-Y10-*-7

0-141114-2-1	seitlich/SIDEWAYS	0-1411139-2	A	SECONDARY LOCK/Sekundaersicherung
		0-1411141-2	A	SOCKET HOUS./Buchsengeh.
ASSY/ORDER-NO. ZSB/Bestell-Nr.	Kontaktkodierung CONTACT CODING	COMPONENT-PART-NO. Einzelteil-Nr.	REV.	DESCRIPTION Beschreibung

THIS DRAWING IS A CONTROLLED DOCUMENT FOR AMP INCORPORATED. IT IS SUBJECT TO CHANGE AND THE CONTROLLING ENGINEERING ORGANIZATION SHOULD BE CONTACTED FOR THE LATEST REVISION.		DWN P. Spohr 23.1.01	tyco Electronics tyco Electronics AMP GmbH D-64625 Bensheim	
DIMENSIONS: mm		CHK B. Reiss 23.1.01	NAME Buchsengehäuse	
TOLERANCES UNLESS OTHERWISE SPECIFIED:		APVD S. Glaser 23.1.01	PRODUCT SPEC 4-polig, ELO-Kupplung, Kurzschluss	
MATERIAL		APPLICATION SPEC	RESTRICTED TO	
FINISH		WEIGHT	SIZE A2	CAGE CODE 00779
		CUSTOMER DRAWING	DRAWING NO. 1411142	
		SCALE 5:1	SHEET 1	OF 1
			REV A4	