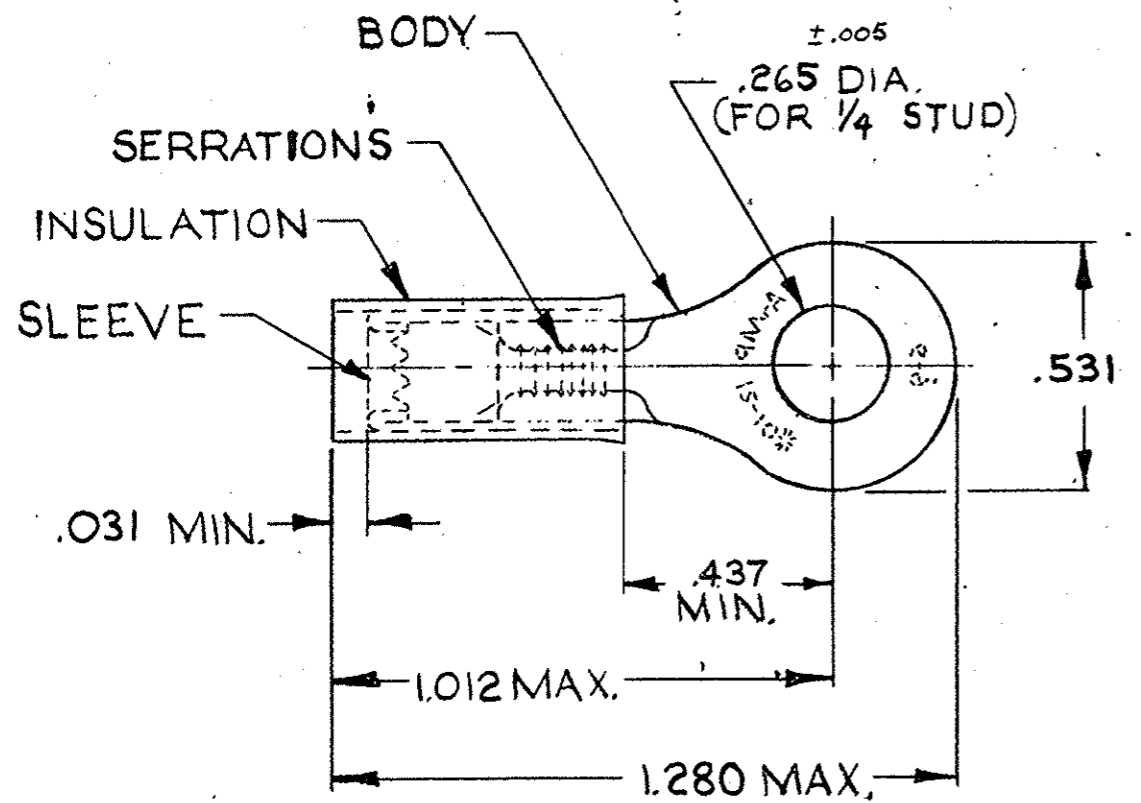



© 1967 BY AMP INCORPORATED. ALL RIGHTS RESERVED. AMP PRODUCTS COVERED BY PATENTS AND/OR PATENTS PENDING.

REVISIONS				
ZONE	LTR	DESCRIPTION	DATE	APPROVED
	B	REDRAWN & REV.	P-6077 ^{SK} 7-30-69	FCY
	C	REVISED	PC-5579 ^{WM} 10-8-70	me
	D	REVISED	PC-5578 ^{TC} 2-23-77	L.D.
	E	REV/0610-0094-98	2-4-99	ME/SH
	E1	REV PER ECR 05-013140	10/20/05	KE/TM



FOR .102 TO .214 WIRE INSULATION DIA.
TONGUE MATERIAL THK. = .040 ±.002

QTY		DESCRIPTION	PART NO.	MATERIAL & FINISH	
		WIRE TERMINAL	50846	BODY: COPPER (ASTM B152) NICKEL PLATE (QQ-N-290) .0003 AVG EXT. THK. SLEEVE: COPPER (ASTM B152) NICKEL PL (QQ-N-290).00003 AVG. EXT. THK. INSULATION: TEFLON (ASTM D3295) COLOR: BLACK	
UNLESS OTHERWISE SPECIFIED DIMENSIONS ARE IN INCHES		CONTRACT NO. 11		 AMP INCORPORATED HARRISBURG, PENNSYLVANIA	
TOLERANCES ON: DECIMALS ±.008 ANGLES ± 5°		DR. Steve Kautz 7-29-69			
MATERIAL		CHK. F.L. [Signature] 7-30-69		NAME WIRE TERMINAL	
SEE TABLE		APPD. [Signature] 8-6-69		PIDG™- STRATO-THERM-RING TONGUE	
		REL. [Signature] 8-6-69		WIRE SIZE: 12-10	
		DSGN APPD.		SIZE B	CODE IDENT NO. 00779
		OTHER APPD.		NUMBER 50846	
				SCALE NTS	SHEET 10F1