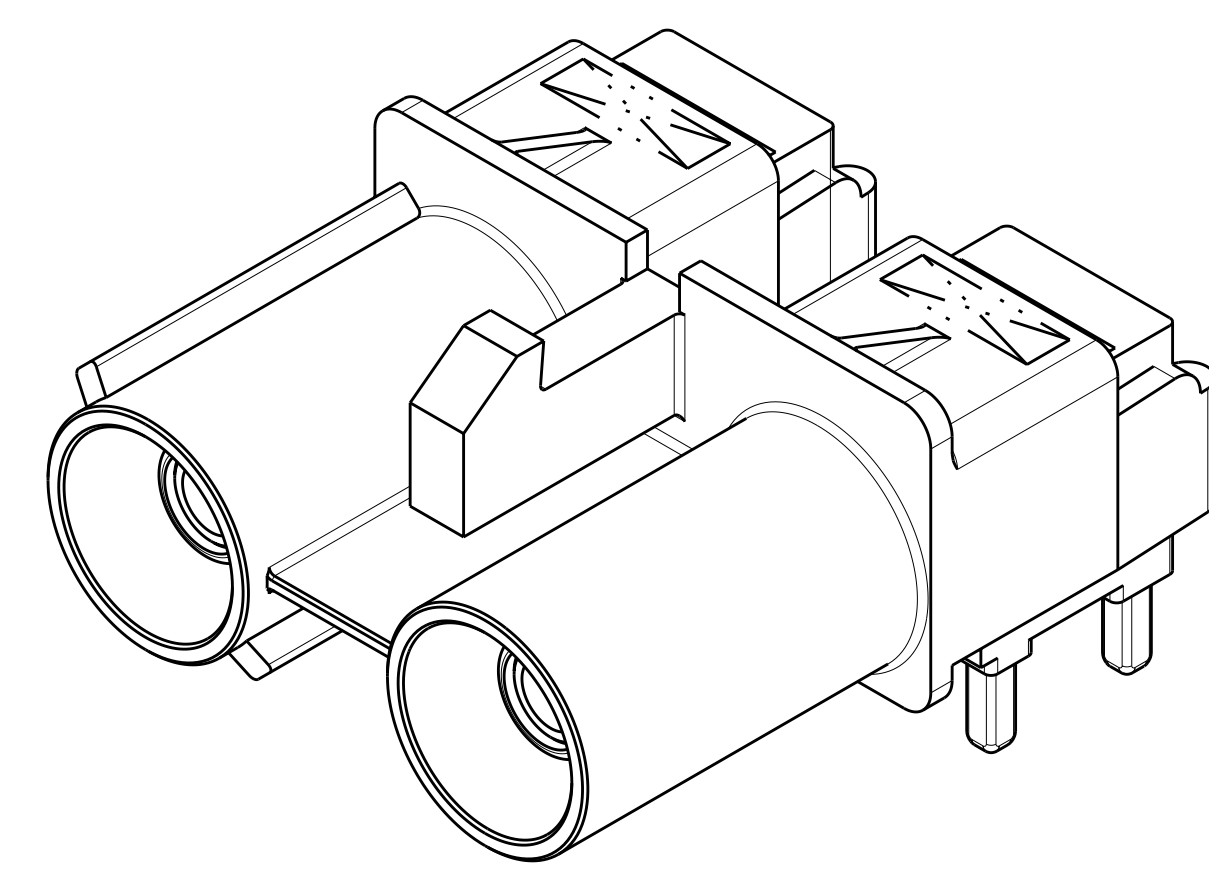
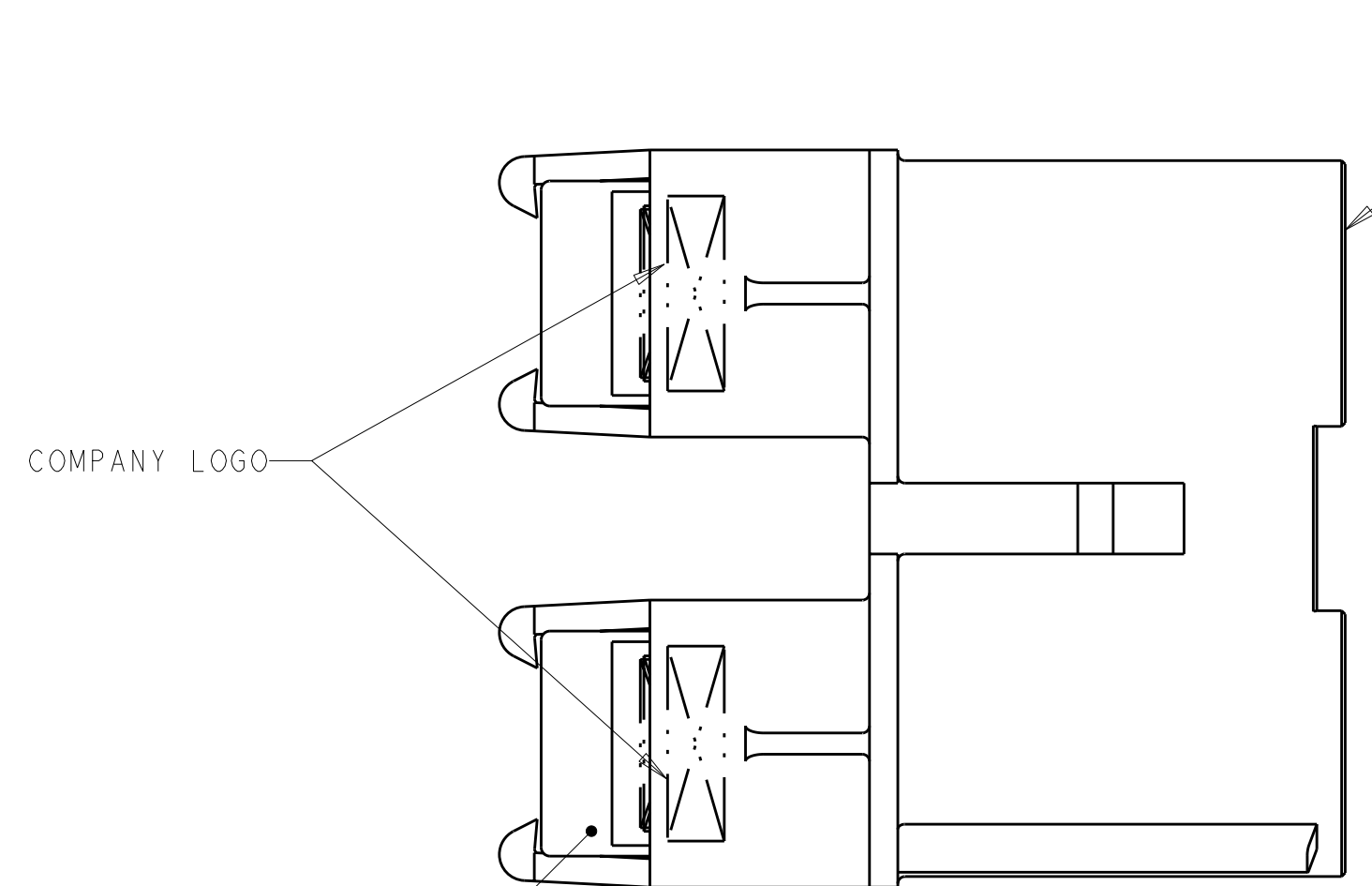
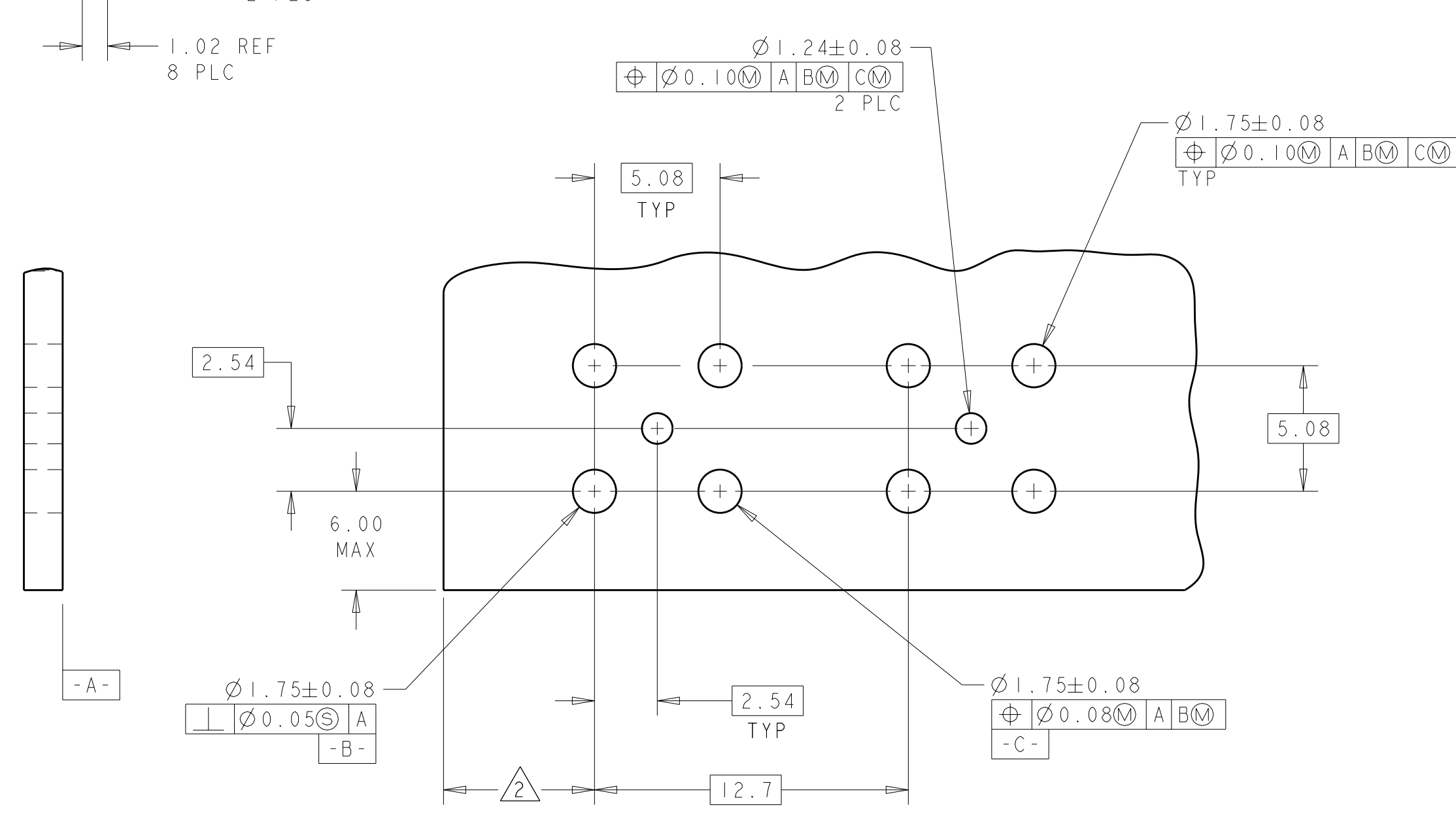
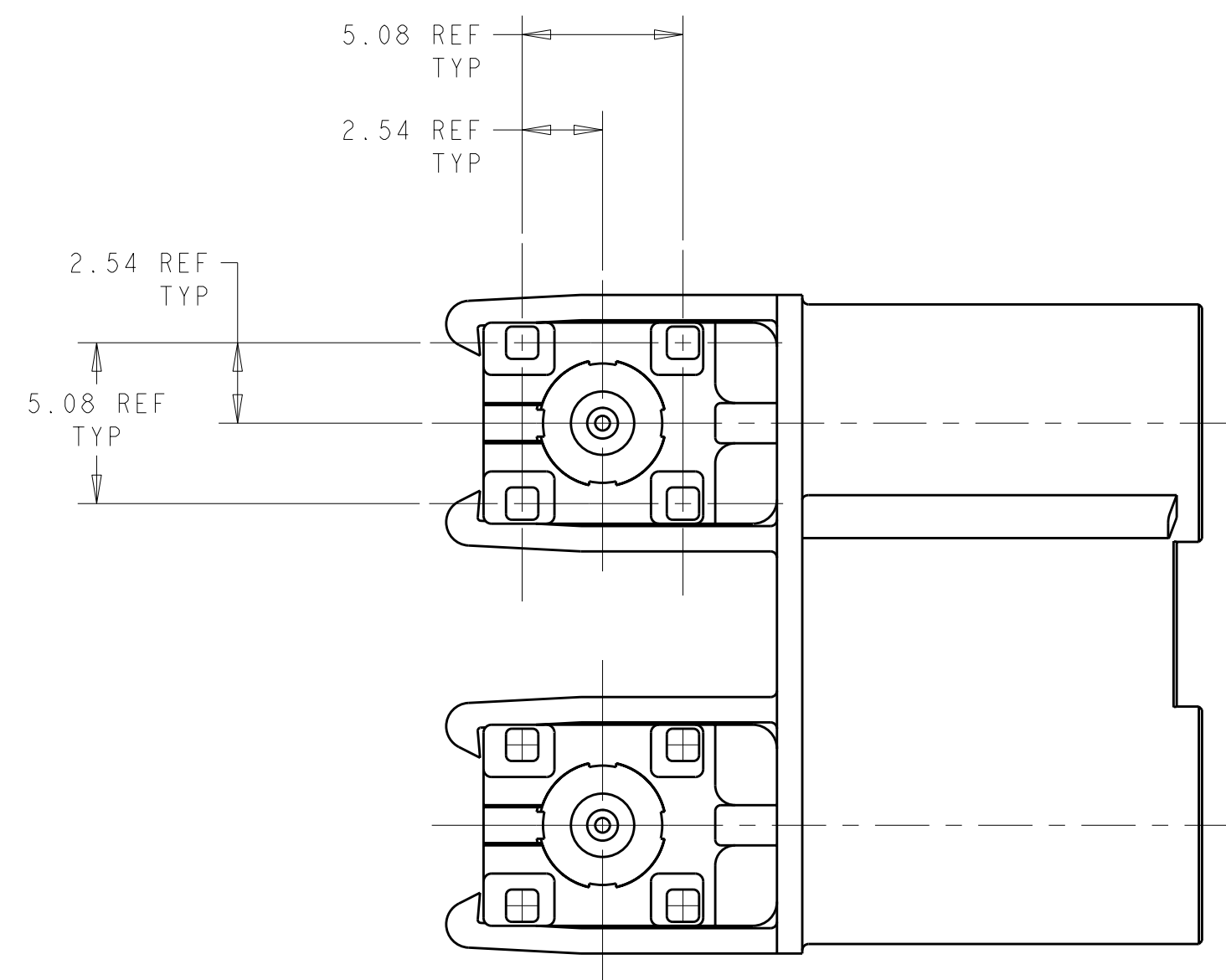
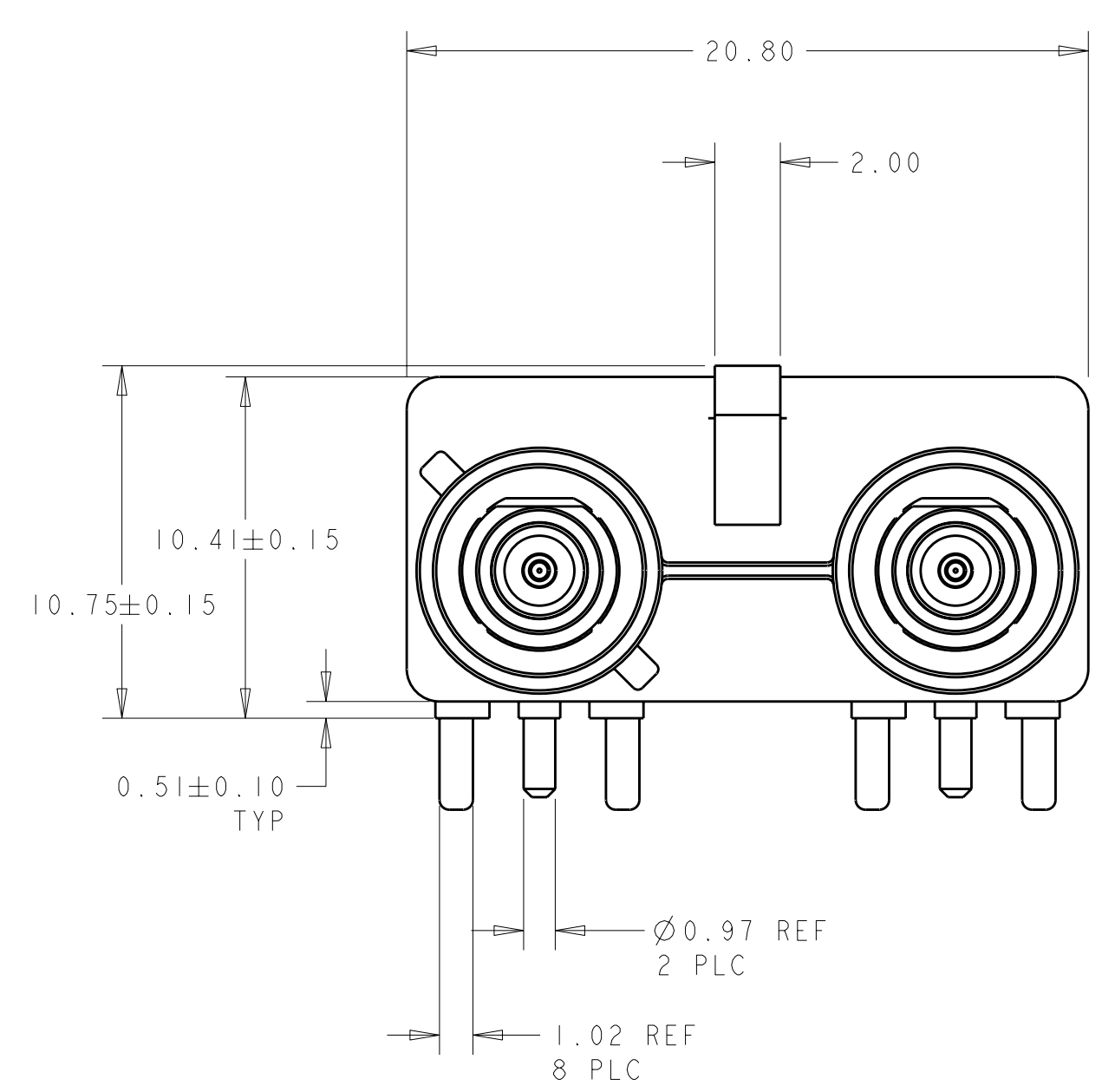
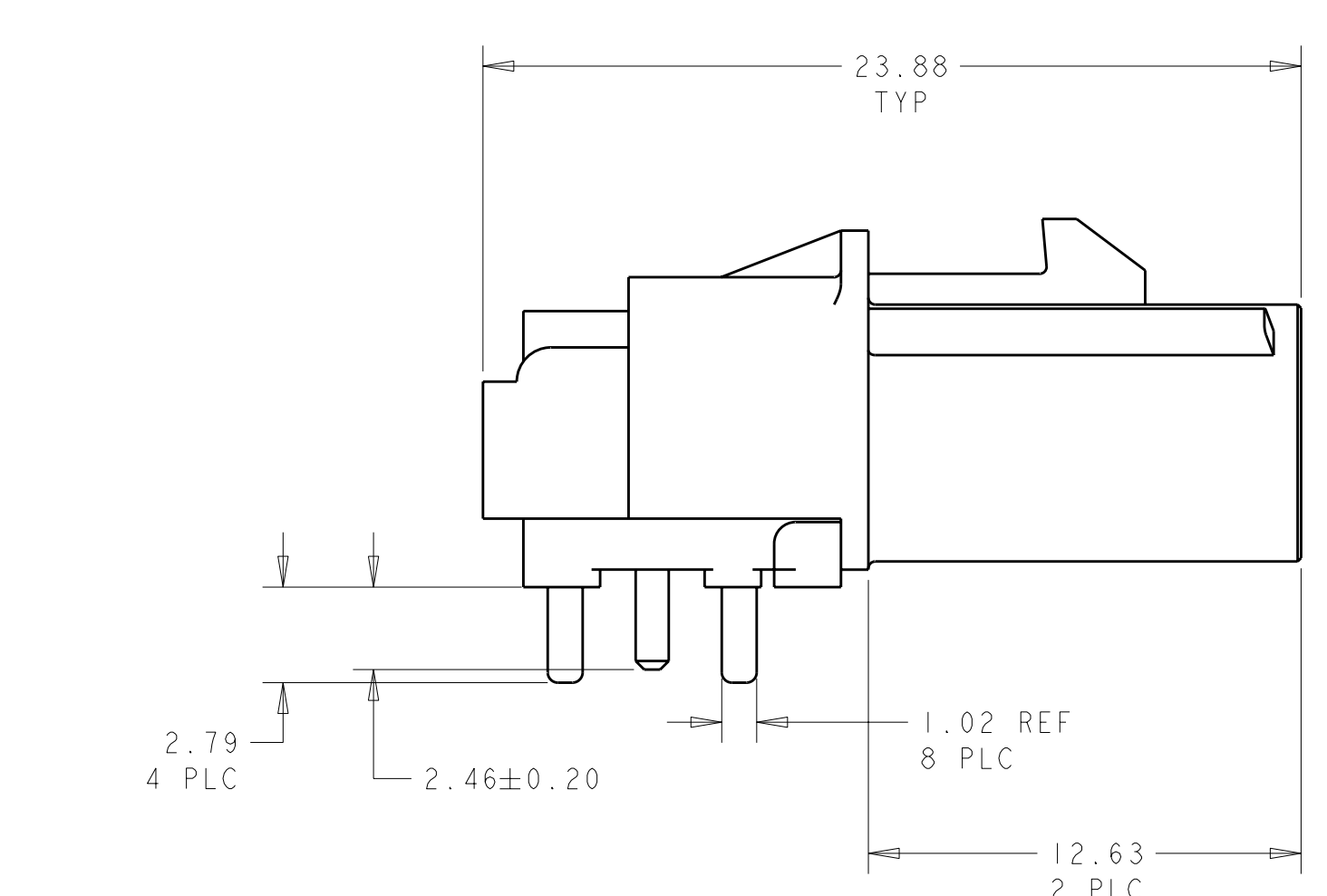


LOC	DIST	REV	DATE	BY	CHK	APPD
FX	00	J	22DEC2003	DLD	SLM	
		K	09MAR2010	DLD	LLV	



- △ MATERIAL:
HOUSING: PBT
JACK: ZINC
PIN: BRASS
DIELECTRIC - REAR: POLYMETHYLPENTENE AND FRONT: TEFLON
- △ DIMENSION ESTABLISHED BY CUSTOMER RELATIVE TO LOCATION ON PCB.
- △ JACK INTERFACE PER SAE-USCAR-18, FAKRA SMB RF CONNECTOR SUPPLEMENT.
- △ FINISH:
JACK: PLATE 2.0μm - 4.0μm TIN OVER 1.52μm - 4.06μm BRIGHT NICKEL OVER 2.54μm COPPER FLASH
PIN: 1.27μm MINIMUM THICK GOLD OVER 1.3μm MINIMUM THICK NICKEL

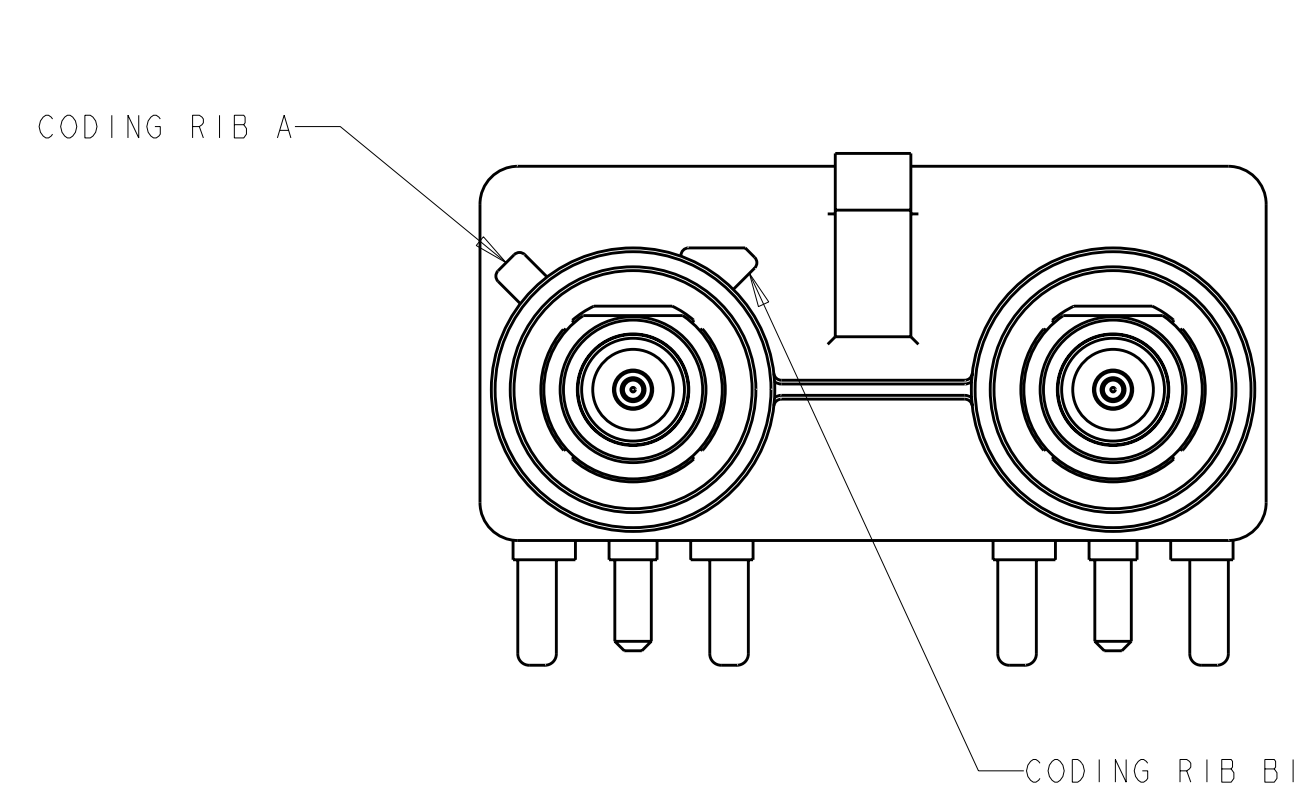


RECOMMENDED PC BOARD LAYOUT

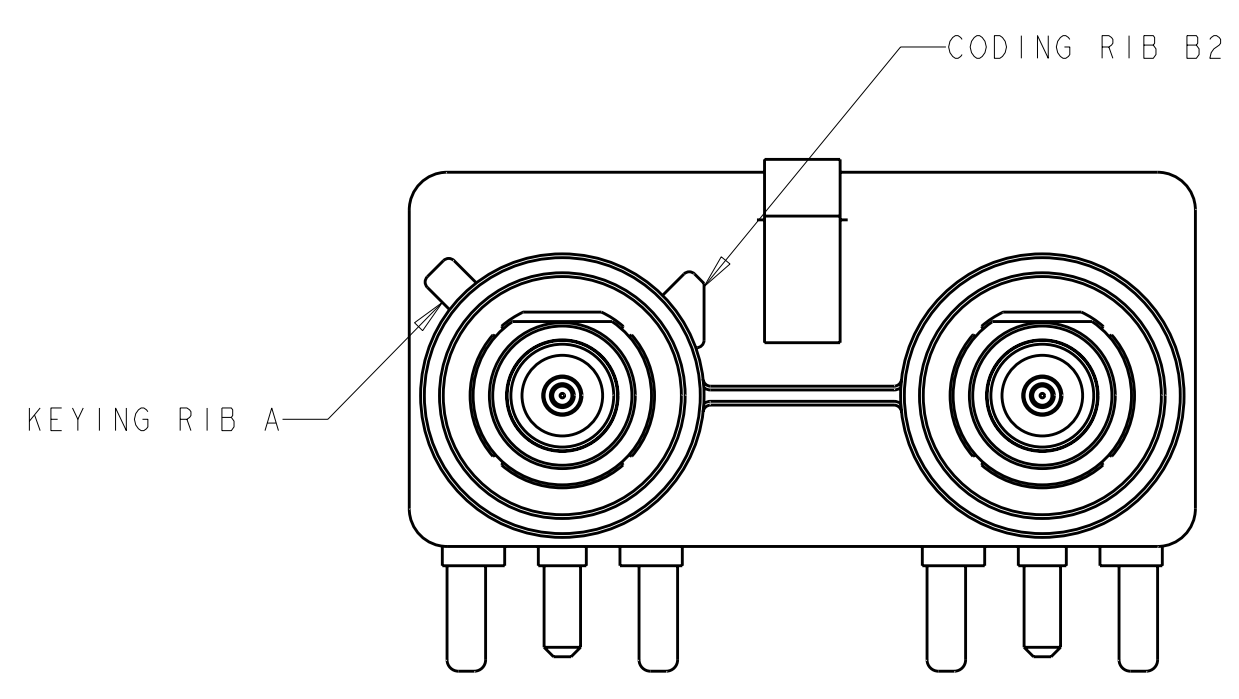
PER DETAIL	KEY	IDENTIFIER	JACK HOUSING COLOR	PART NUMBER
PER DETAIL Z	Z		WATER BLUE	1-638818-1
PER DETAIL W	G2		BLUE GREY	638818-7
PER DETAIL V	F2		BROWN	638818-6
PER DETAIL U	E2		LEAF GREEN	638818-5
PER DETAIL T	D2		BORDEAUX VIOLET	638818-4
PER DETAIL S	C2		SIGNAL BLUE	638818-3
PER DETAIL R	B2		SIGNAL WHITE	638818-2
PER DETAIL L	A2		DEEP BLACK	638818-1

DIMENSIONS: mm 		TOLERANCES UNLESS OTHERWISE SPECIFIED: 9 PLC ± 2 PLC ±0.25 5 PLC ± 4 PLC ± ANGLES ± FINISH: △		DWN: D. HARDY 05JUL00 CHK: J.W. HALL 06JUL00 APVD: J.W. HALL 06JUL00 PRODUCT SPEC: 108-2054 APPLICATION SPEC: 114-13043 WEIGHT: 8.22g CUSTOMER DRAWING		Tyco Electronics Harrisburg, PA 17105-3608 NAME: JACK ASSEMBLY, FAKRA, 2 POSITION, RIGHT ANGLE, PCB, 50 Ohm, SMB SIZE: A1 CAGE CODE: 00779 DRAWING NO: C=638818 SCALE: 4:1 SHEET: 1 OF 2 REV: K	
-----------------------	--	---	--	--	--	---	--

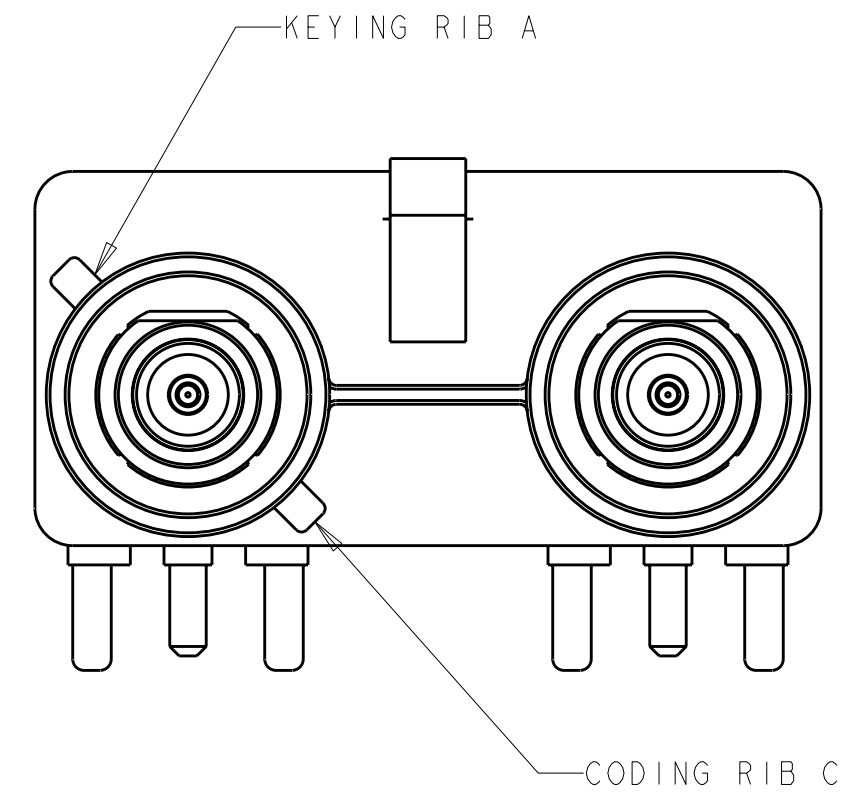
LOC	DIST	REVISIONS			
P	LTB	DESCRIPTION	DATE	DWN	APVD
-	-	SEE SHEET 1	-	-	-



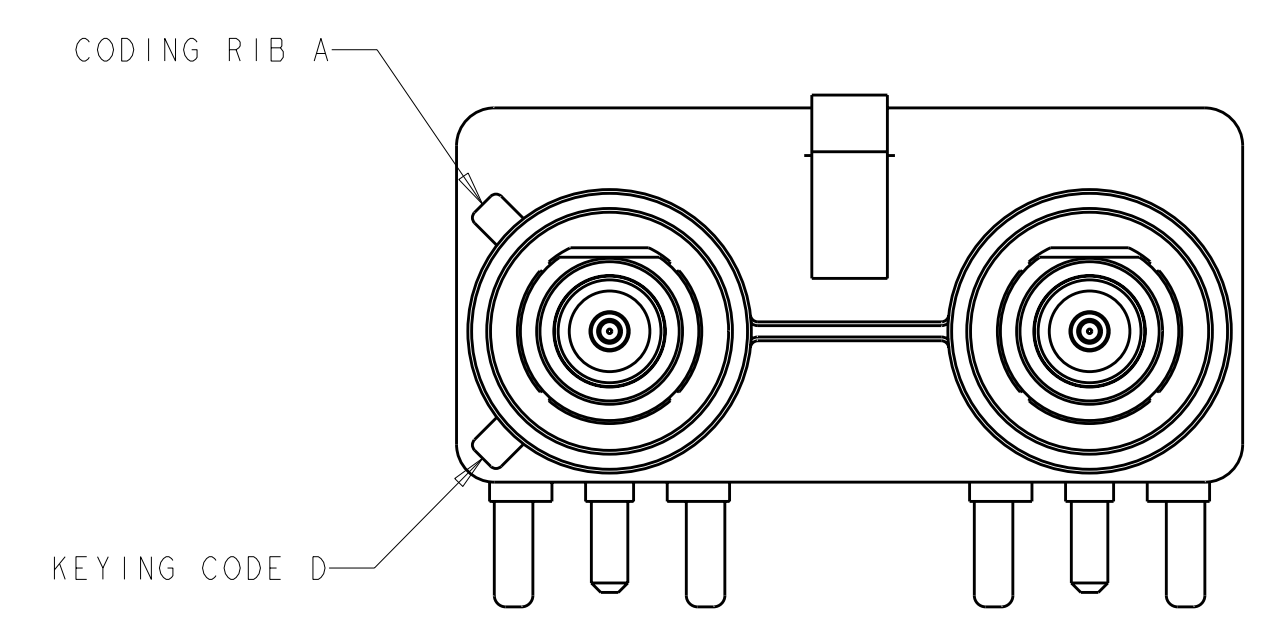
DETAIL L



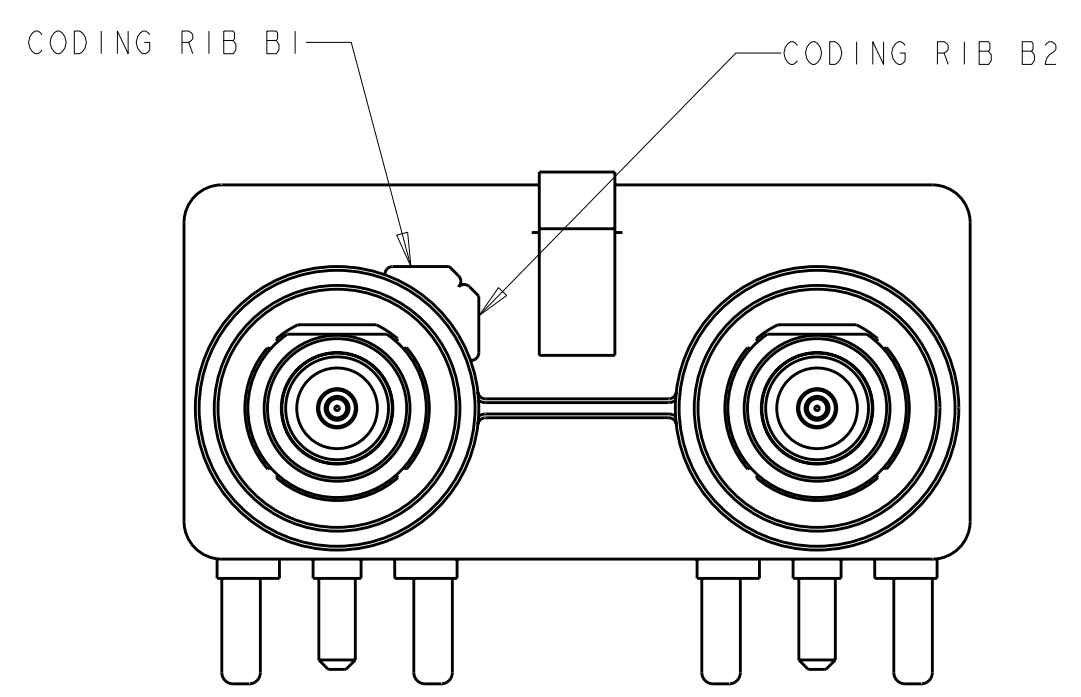
DETAIL R



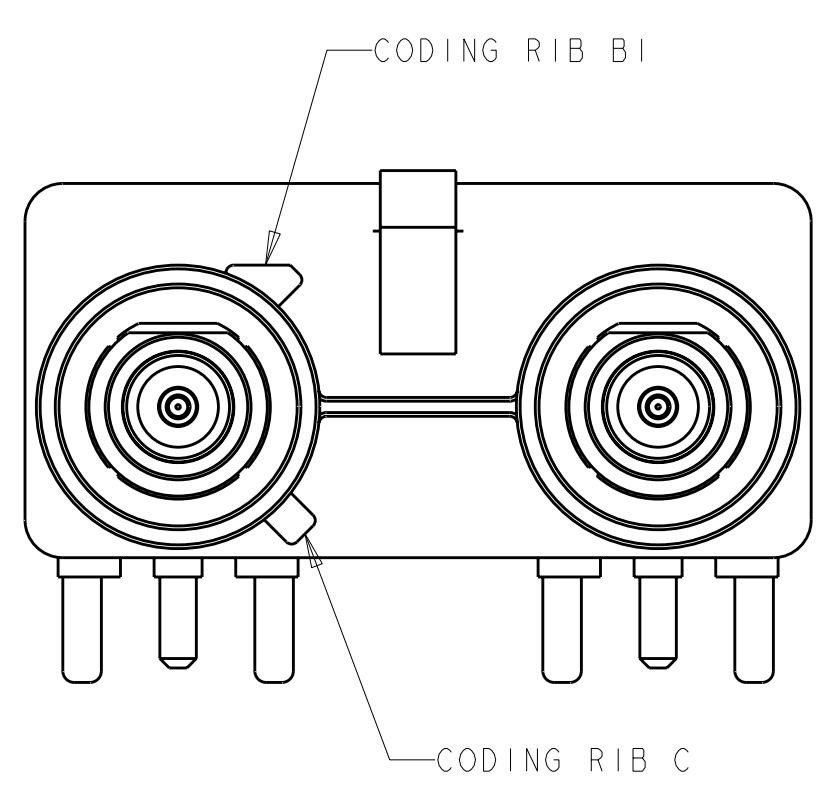
DETAIL S



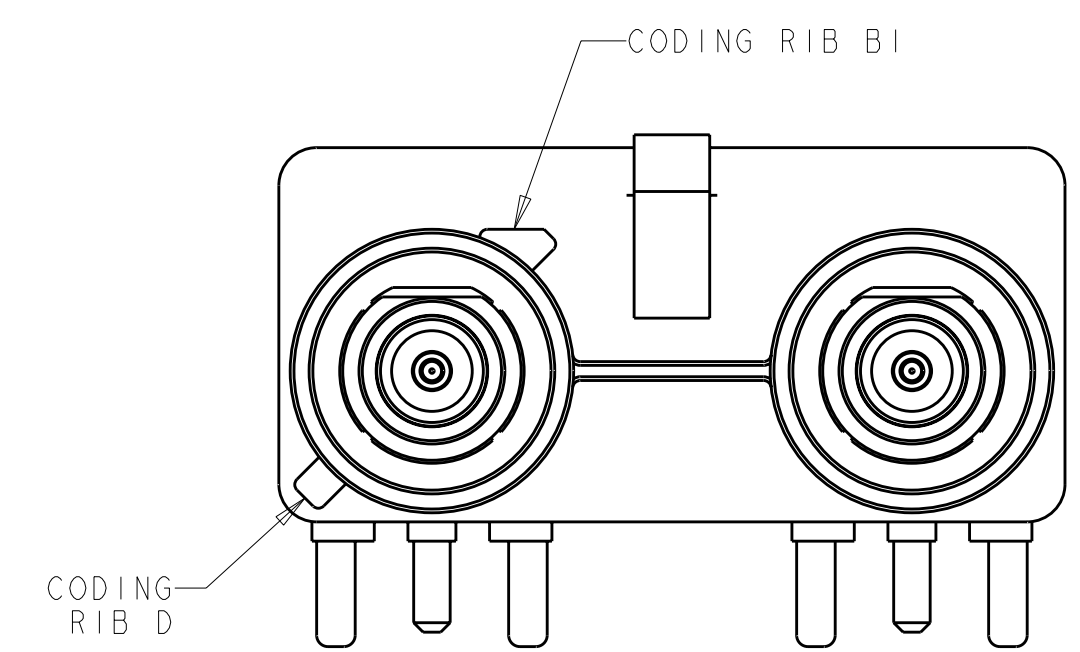
DETAIL T



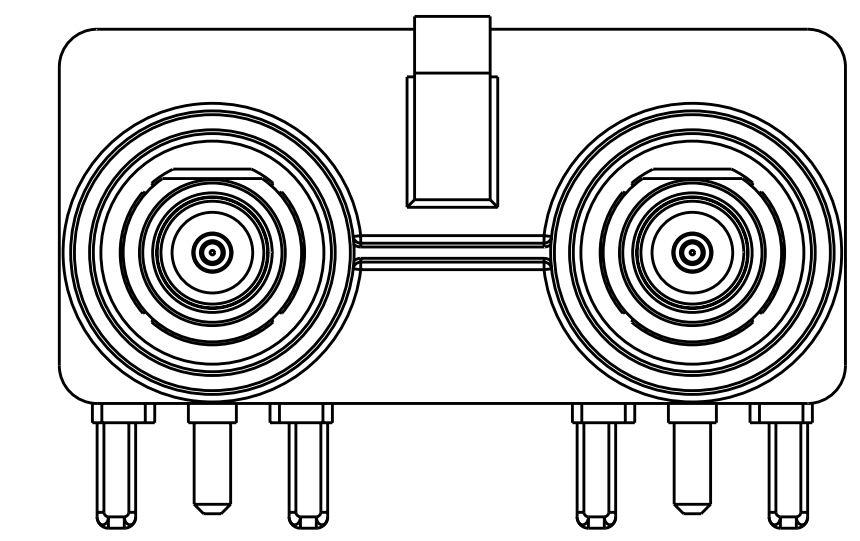
DETAIL U



DETAIL V



DETAIL W



DETAIL Z

<small>THIS DRAWING IS UNPUBLISHED. RELEASED FOR PUBLICATION BY TYCO ELECTRONICS CORPORATION. IT IS SUBJECT TO CHANGE WITHOUT NOTICE AND WITHOUT OBLIGATION. SHOULD BE CONTACTED FOR THE LATEST REVISION.</small>		DWN D. HARDY 05JUL00 CHK J. W. HALL 06JUL00 APVD J. W. HALL 06JUL00	Tyco Electronics Harrisburg, PA 17105-3608
DIMENSIONS: mm 	TOLERANCES UNLESS OTHERWISE SPECIFIED: 9 PLC ± 1 PLC ± 2 PLC ±0.25 3 PLC ± 4 PLC ± ANGLES ± FINISH	NAME PRODUCT SPEC APPLICATION SPEC WEIGHT CUSTOMER DRAWING	JACK ASSEMBLY, FAKRA, 2 POSITION, RIGHT ANGLE, PCB, 50 Ohm, SMB SIZE CAGE CODE DRAWING NO. RESTRICTED TO A1 00779 C-638818 SCALE 4:1 SHEET 2 OF 2 REV K