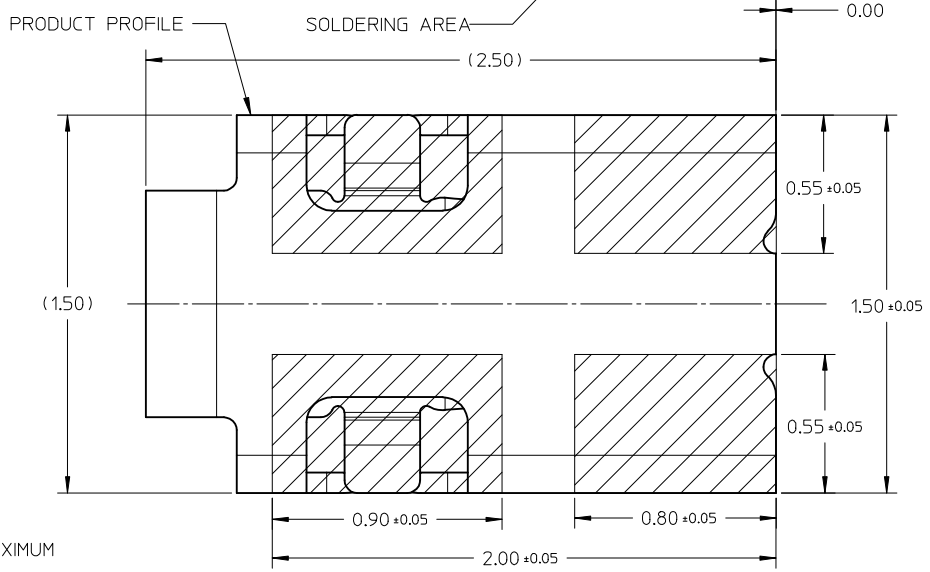
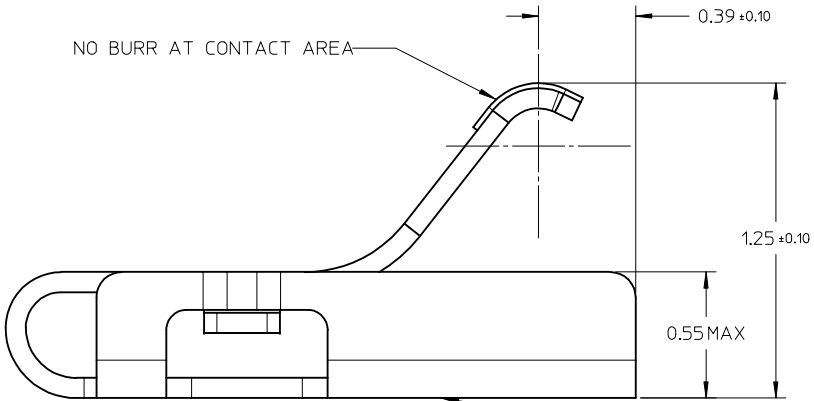
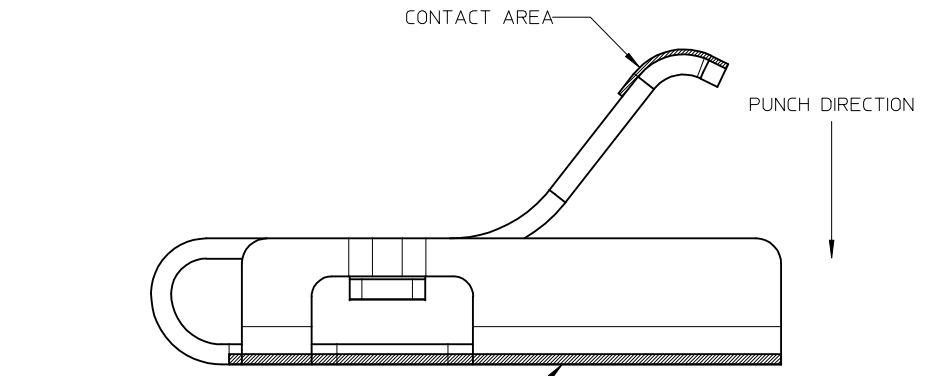
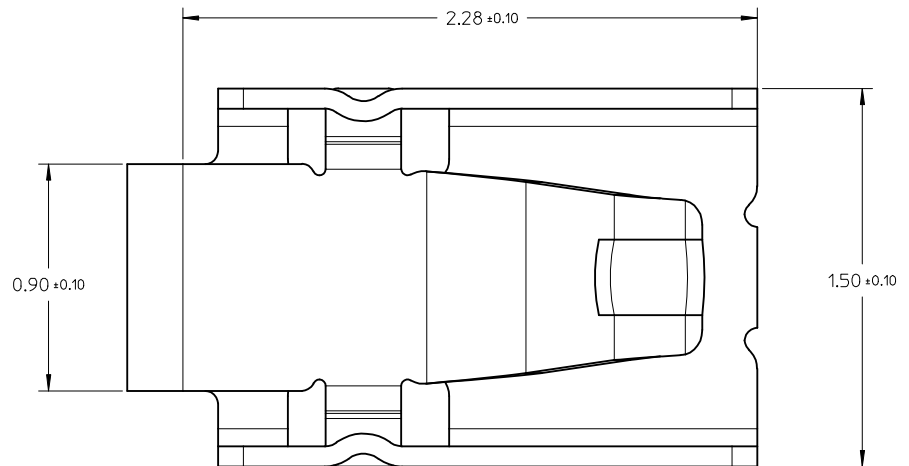


10 9 8 7 6 5 4 3 2 1



- NOTES:
1. MATERIAL: STAINLESS STEEL
 2. FINISH:
 NI UNDER PLATING OVERALL: 1.25um MINIMUM
 SOLDERING AREA: GOLD FLASH
 CONTACT AREA: 0.25um Au MINIMUM
 3. COMPONENT UN-COMPRESSED HEIGHT: 1.25mm
 COMPONENT WORKING RANGE: 0.55mm~1.05mm
 4. CURRENT: 1.5Amps MAXIMUM
 5. CONTACT RESISTANCE:
 INITIAL: 75mOHM MAXIMUM
 AFTER GROUP TEST: 100mOHM MAXIMUM
 6. CONTACT FORCE:
 0.2N MINIMUM AT 1.05mm POSITION
 7. PRODUCT COMPLIANT TO ROHS DIRECTIVE 2011/65/EU
 AND ELV DIRECTIVE 2003/53/EC

CO-PLANARITY 0.08MM MAXIMUM

RECOMMENDED PWB GOLDEN PAD
 THICKNESS OF SOLDER PASTE: 0.10mm

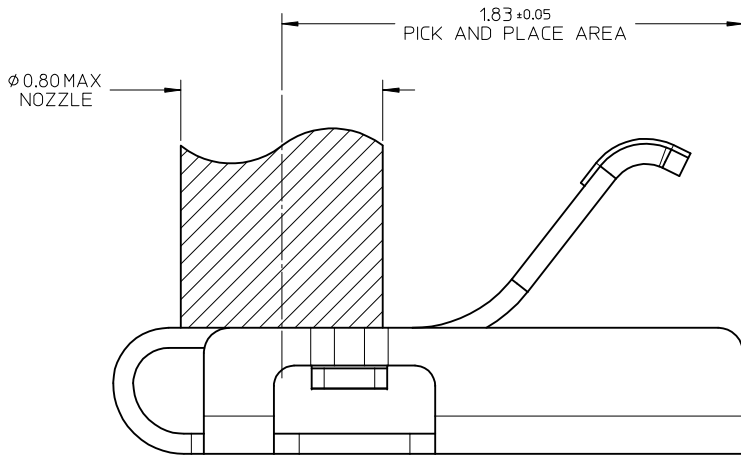
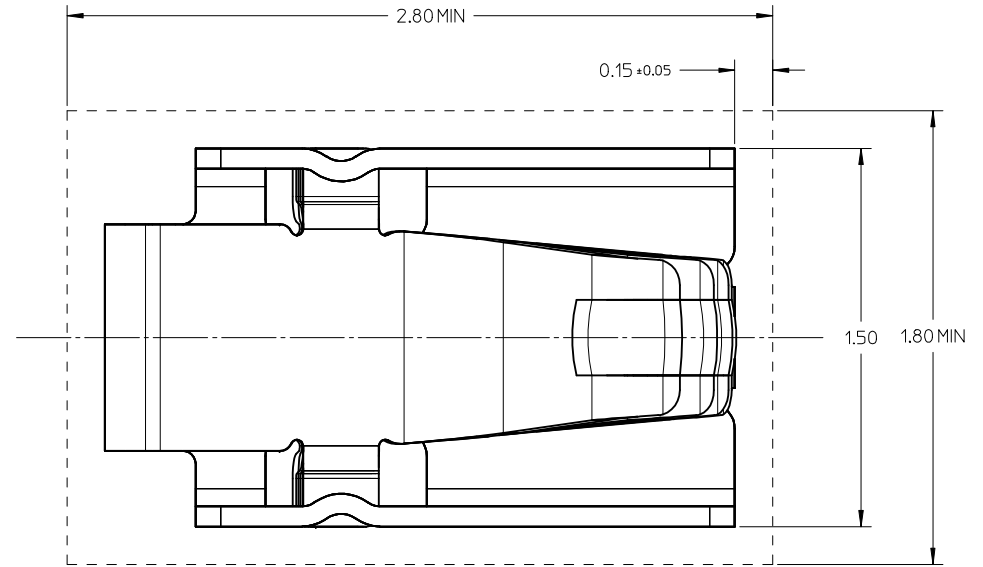
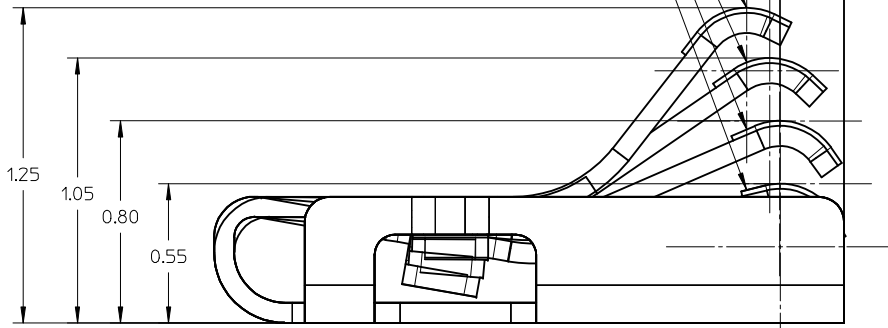
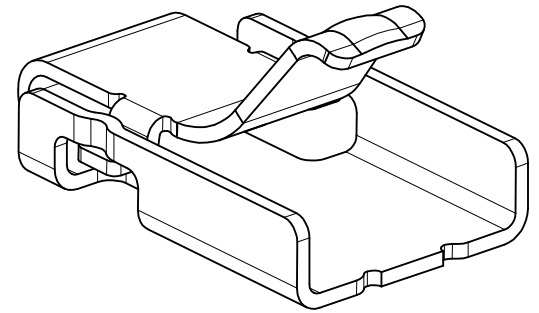
PROPOSAL EC NO: SHZ016-0120 DRW: RL109 CHKD: APPR: RZHANG 2015/11/11 2015/12/03	QUALITY SYMBOLS	GENERAL TOLERANCES (UNLESS SPECIFIED)	DIMENSION STYLE	SCALE	DESIGN UNITS	THIRD ANGLE PROJECTION																		
	$F_A=0$ $F_G=0$ $F_P=0$	<table border="1"> <thead> <tr> <th></th> <th>mm</th> <th>INCH</th> </tr> </thead> <tbody> <tr> <td>4 PLACES</td> <td>± ---</td> <td>± ---</td> </tr> <tr> <td>3 PLACES</td> <td>± ---</td> <td>± ---</td> </tr> <tr> <td>2 PLACES</td> <td>± 0.15</td> <td>± ---</td> </tr> <tr> <td>1 PLACE</td> <td>± 0.20</td> <td>± ---</td> </tr> <tr> <td>0 PLACE</td> <td>± ---</td> <td>± ---</td> </tr> </tbody> </table>		mm	INCH	4 PLACES	± ---	± ---	3 PLACES	± ---	± ---	2 PLACES	± 0.15	± ---	1 PLACE	± 0.20	± ---	0 PLACE	± ---	± ---	MM ONLY	50:1	METRIC	
		mm	INCH																					
	4 PLACES	± ---	± ---																					
3 PLACES	± ---	± ---																						
2 PLACES	± 0.15	± ---																						
1 PLACE	± 0.20	± ---																						
0 PLACE	± ---	± ---																						
DRAWN BY: RL109 DATE: 2015/04/02 CHECKED BY: DATE: APPROVED BY: RZHANG DATE: 2015/12/03	MATERIAL NO.: 1054390002 DOCUMENT NO.: SD-105439-200 SHEET NO.: 1 OF 2	TITLE: SPRING FINGER WORKING RANGE 0.55MM~1.05MM 																						
DRAFT WHERE APPLICABLE MUST REMAIN WITHIN DIMENSIONS	SIZE: A3 THIS DRAWING CONTAINS INFORMATION THAT IS PROPRIETARY TO MOLEX INCORPORATED AND SHOULD NOT BE USED WITHOUT WRITTEN PERMISSION																							

9 8 7 6 5 4 3 2 1

10 9 8 7 6 5 4 3 2 1

FREE HEIGHT
 MINIMUM WORKING POSITION
 NOMINAL WORKING POSITION
 MAXIMUM WORKING POSITION

0.39
 CONTACT POINT AT FREE HEIGHT
 0.30 ± 0.20
 CONTACT POINT AT MINIMUM WORKING POSITION
 0.26 ± 0.20
 CONTACT POINT AT NOMINAL WORKING POSITION
 0.25 ± 0.20
 CONTACT POINT AT MAXIMUM WORKING POSITION



ROOM RESERVATION FOR CLIP

PROPOSAL EC NO: SH2016-0120 DRW: RL109 CHKD: APPR: RZHANG 2015/11/11 2015/12/03	QUALITY SYMBOLS	GENERAL TOLERANCES (UNLESS SPECIFIED)	DIMENSION STYLE MM ONLY	SCALE 50:1	DESIGN UNITS METRIC	THIRD ANGLE PROJECTION	
	$F_A = 0$ $F_G = 0$ $F_P = 0$	mm INCH 4 PLACES ± --- ± --- 3 PLACES ± --- ± --- 2 PLACES ± 0.15 ± --- 1 PLACE ± 0.20 ± --- 0 PLACE ± --- ± ---	DRAWN BY: RL109 DATE: 2015/04/02 CHECKED BY: DATE: APPROVED BY: RZHANG DATE: 2015/12/03	TITLE	SPRING FINGER WORKING RANGE 0.55MM~1.05MM molex		
	ANGULAR ± 3 ° DRAFT WHERE APPLICABLE MUST REMAIN WITHIN DIMENSIONS	MATERIAL NO. 1054390002	DOCUMENT NO. SD-105439-200	SHEET NO. 2 OF 2			
	THIS DRAWING CONTAINS INFORMATION THAT IS PROPRIETARY TO MOLEX INCORPORATED AND SHOULD NOT BE USED WITHOUT WRITTEN PERMISSION						

9 8 7 6 5 4 3 2 1