

THIS DRAWING IS UNPUBLISHED. RELEASED FOR PUBLICATION

© COPYRIGHT BY TYCO ELECTRONICS CORPORATION. ALL RIGHTS RESERVED.

LOC GZ DIST 00

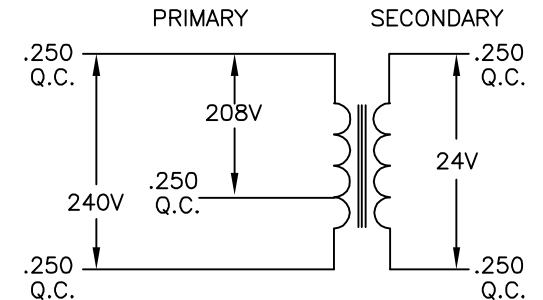
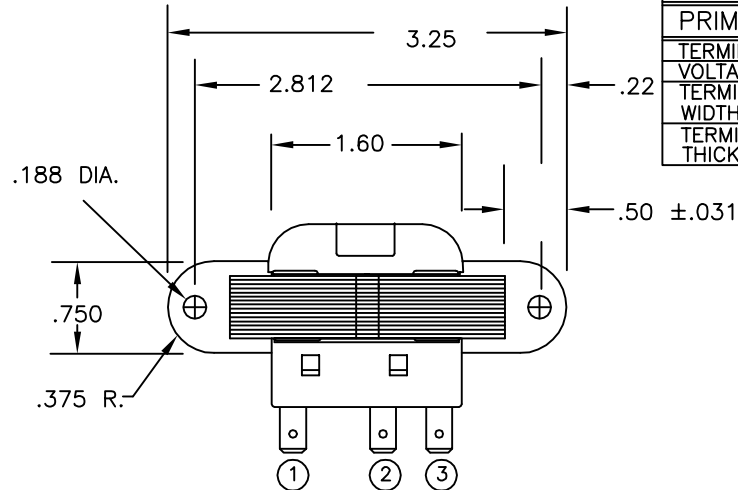
REVISIONS

P	LTR	DESCRIPTION	DATE	DWN	APVD
A		NEW FORMAT & EC0720-0114-04	23FEB04	MD	KH

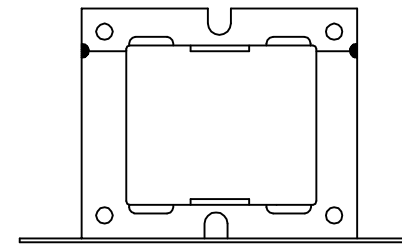
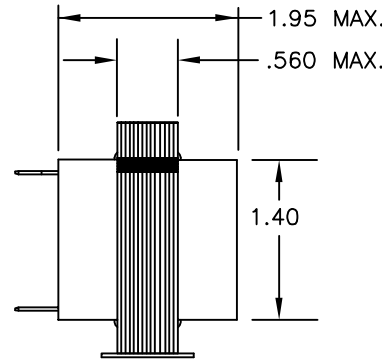
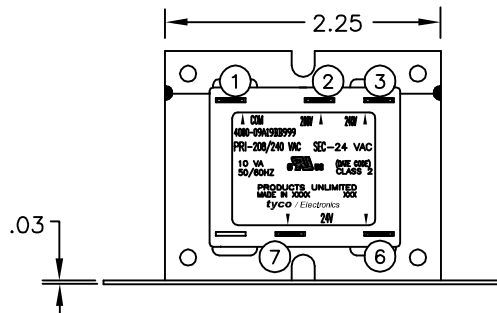
PRIMARY			
TERMINAL NO.	1	2	3
VOLTAGE	COM	208	240
TERMINAL WIDTH	.250	.250	.250
TERMINAL THICKNESS	.032	.032	.032

- NOTES
1. DIMENSIONS FOR REFERENCE ONLY.
 2. WINDING PROTECTION—INHERENTLY LIMITING

SECONDARY		
TERMINAL NO.	6	7
VOLTAGE	24	VAC
TERMINAL WIDTH	.250	.250
TERMINAL THICKNESS	.032	.032



ALL Q.C. .250 X .032



SCHEMATIC

THIS DRAWING IS A CONTROLLED DOCUMENT.

DIMENSIONS:	TOLERANCES UNLESS OTHERWISE SPECIFIED:
INCHES	
0 PLC	± .
1 PLC	± .
2 PLC	± .
3 PLC	± .
4 PLC	± .
ANGLES	± 1°

MATERIAL	FINISH
-	-

DWN	M.DAVIS	23FEB04
CHK	K.HOLSCHUH	23FEB04
APVD	K.HOLSCHUH	23FEB04
PRODUCT SPEC	-	-
APPLICATION SPEC	-	-
WEIGHT	-	-

CUST. NO.	TYCO PART NUMBER
-	2-1611447-1

Products Tyco Electronics Corporation
 -W-UNLIMITED Harrisburg, Pa 17105-3608

NAME			
TRANSFORMER OUTLINE			
-			
-			

SIZE	CAGE CODE	DRAWING NO	RESTRICTED TO
A3	00779	C=4000-09A19BB999	-

CUSTOMER DRAWING	SCALE	SHEET	OF	REV
-	NTS	1	1	A