

4801, Socket, solder terminal, screened, 2.5 mm, 2-pole, straight, UK-Connector



Description

- Solder terminal :
Screw-on mounting , from rear-side
- Data and Signal transfer
- Data and Signal Connectors 2-pole , shielded , straight
- Reinforced gold plating for increased insertions

References

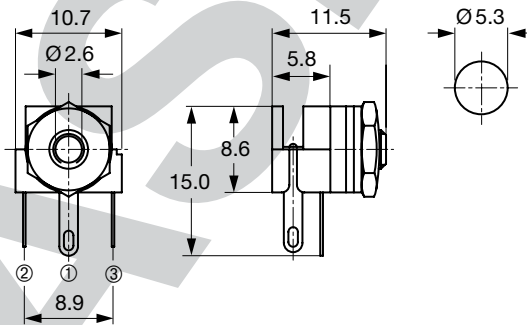
Last order date: 30.06.2016

Technical Data

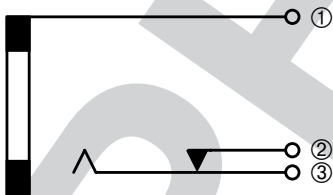
Diameter	2.5 mm
Number of Poles	2-pole
Ratings DC	1 A / 12VDC
Ratings AC	0.65A / 12VAC
Dielectric Strength	500VDC
Insulation Resistance	> 10000 MΩ @ 500VDC

Allowable Operation Temp.	-20 °C to 70 °C
Terminal	solder terminal
Mounting	Screw-on mounting wall thickness max. 2.2mm
Housings	screened
Style	straight
Lifetime	10000 Insertions

Dimensions



Diagrams



All Variants

Product group	Diameter [mm]	Number of Poles	Terminal	Order Number
Data and Signal Plug/ Sockets	2.5	2-pole	solder terminal	4801.2200

Most Popular.

Availability for all products can be searched real-time:<http://www.schurter.com/Stock-Check/Stock-Check-SCHURTER>

Packaging unit 100 Pcs

PHASE-OUT