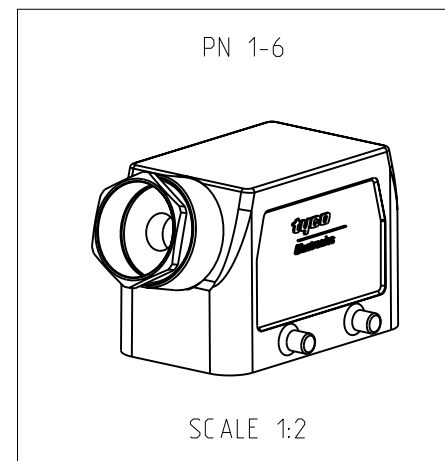
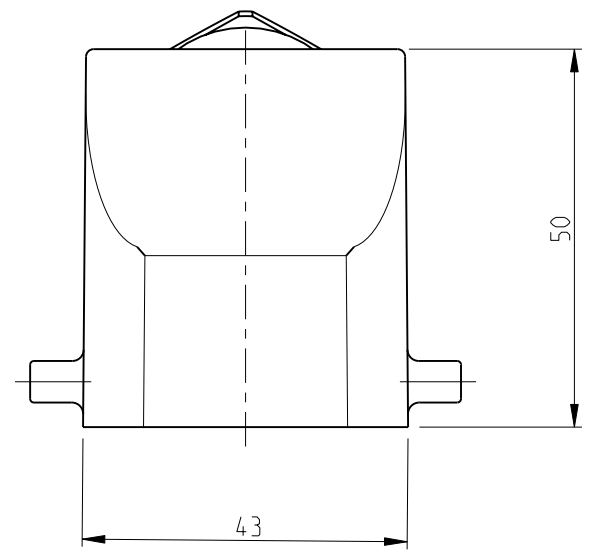
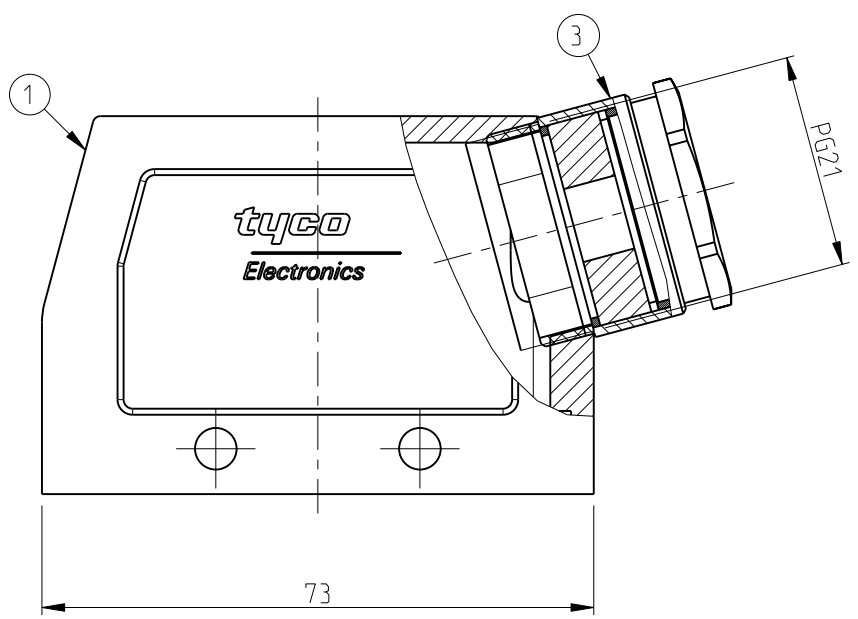


THIS DRAWING IS UNPUBLISHED. RELEASED FOR PUBLICATION .1997
 © COPYRIGHT 1997 BY TYCO ELECTRONICS CORPORATION. ALL RIGHTS RESERVED.

LOC	DIST	REVISIONS				
P	LTR	DESCRIPTION	DATE	DWN	APVD	
A1	-	A3	Released as per ECR-07-030422	17.12.07	SP	TS

- NOTES.
- 1 Material:Housing:Aluminium Diecasting Alloy
 - 2 Surface-Powder Varnish Grey
-Aluminium Oxide +
Varnish Black
 - 3 Varnish on the inside not necessary
 - 4 Packaging
Quantity 5 Pieces in a box

PN 1-6



QTY	DESCRIPTION	MATERIAL	SURFACE	COLOR	ITEM NO	REMARKS
4	VS-Clip bolt	Stainless steel	-		5	
1	HUT-Gland fitting PG21	Brass	Nickel plated		4	-
1	PG-Gland fitting PG21	Brass	Nickel plated		3	-
1	Hood HB.10.PG.1.21	Aluminium	Aluminium oxide	Black	2	-
1	Hood HB.10.PG.1.21	Aluminium		Grey	1	-

ORDERING TEXT
 HB.10.STS.1.21
 HB-K.10.Sts.1.21

THIS DRAWING IS A CONTROLLED DOCUMENT FOR TYCO ELECTRONICS CORPORATION
 IT IS SUBJECT TO CHANGE AND THE CONTROLLING ENGINEERING ORGANIZATION
 SHOULD BE CONTACTED FOR THE LATEST REVISION.

DIMENSIONS:	TOLERANCES UNLESS OTHERWISE SPECIFIED:
mm	n. ISO 2768-mS-E n. DIN 16761-120
	0 PLC ± 1 PLC ± 2 PLC ± 3 PLC ± 4 PLC ± ANGLES ±
MATERIAL -	FINISH -

DWN Schneider 29.10.98	Tyco Electronics AMP GmbH D-53819, Neunkirchen, Germany	
CHK Kramer 29.10.98	NAME Hood HB.10.STS.1.21	
APVD -	PRODUCT SPEC 114-74004	RESTRICTED TO -
	APPLICATION SPEC 108-74003	SIZE A3 CAGE CODE 00779 DRAWING NO C=1102262
	WEIGHT -	SCALE 1:1 SHEET 1 OF 1 REV A3
CUSTOMER DRAWING		