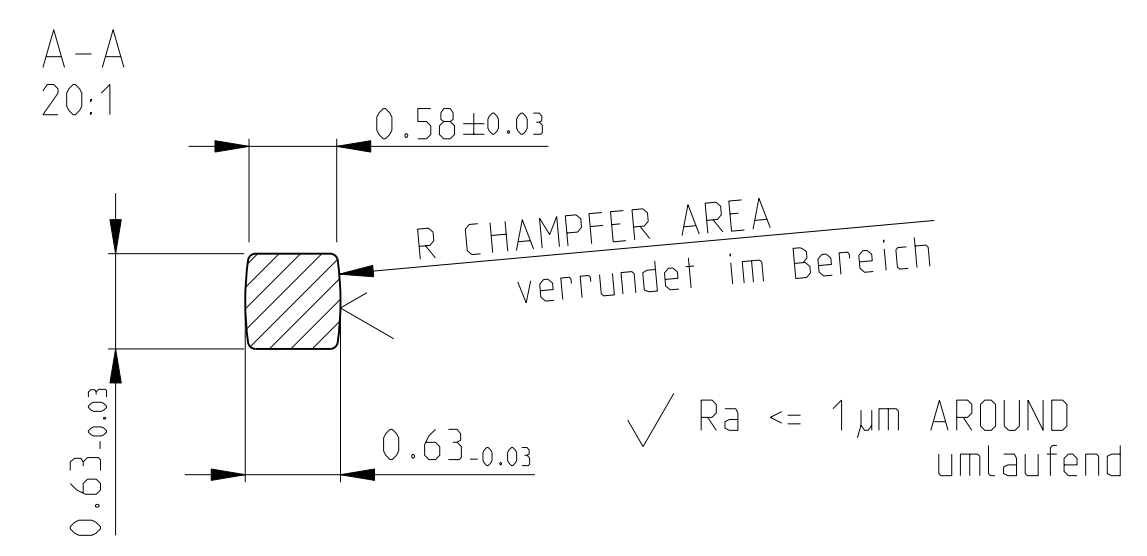
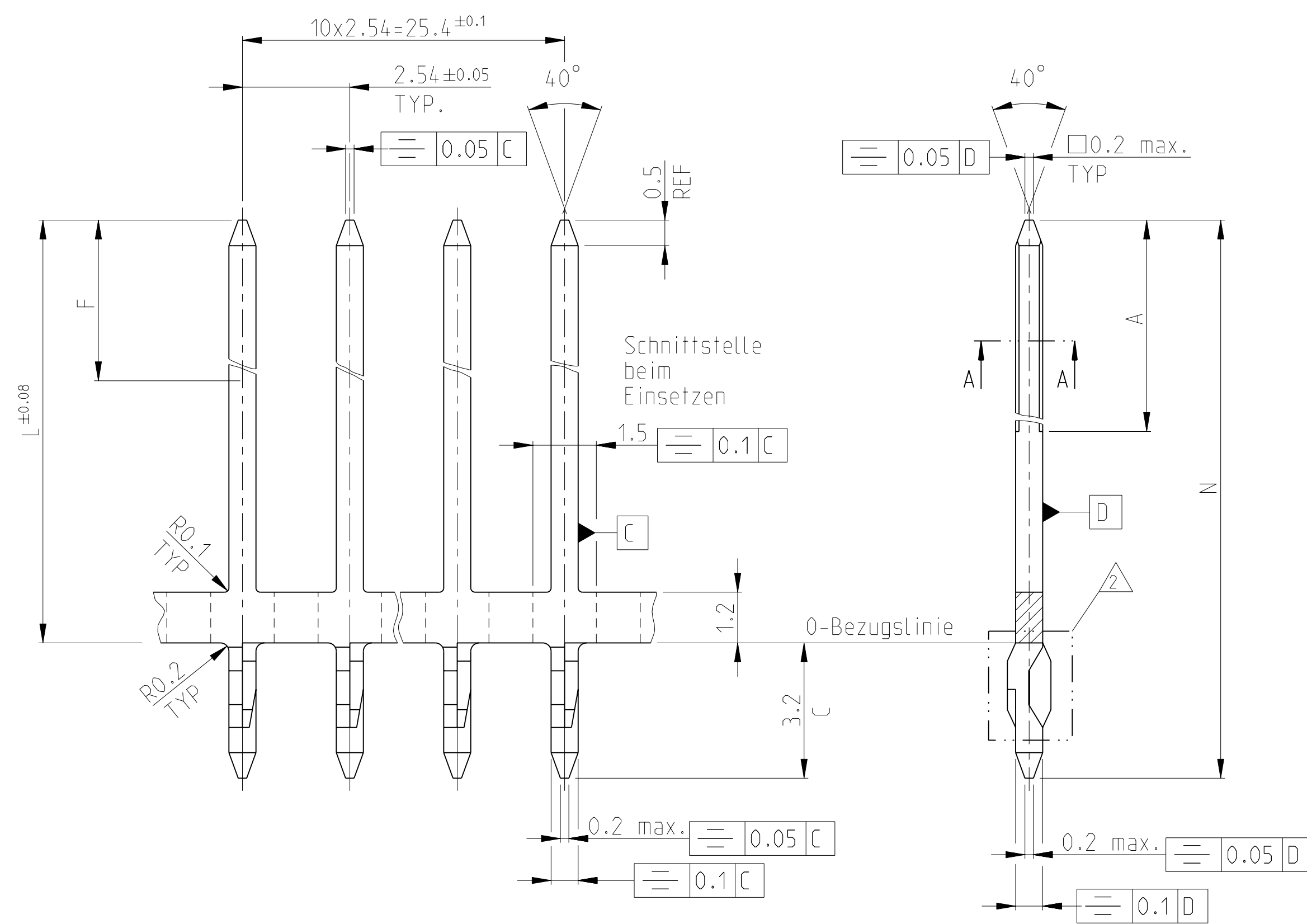
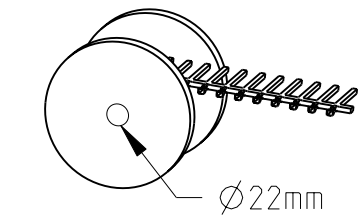


THIS DRAWING IS UNPUBLISHED. RELEASED FOR PUBLICATION 2008  
 © COPYRIGHT 2008 BY TYCO ELECTRONICS CORPORATION. ALL RIGHTS RESERVED.

LOC	DIST	REVISIONS					
		P	LTR	DESCRIPTION	DATE	DWN	APVD
A1	-	F1		Zeichnung wird NEUTRAL	31JUL1996	Beu	-
		F2		Material bleifrei	13SEP2004	Stein	-
		F3		Bem. 2 korrigiert	26AUG2005	Beu	-
		F4		New drawing created / note 3 updated	11MAR2008	Haas	Zitz



- 7 APPLICATION TOOL; X-Y- MACHINE 2-872 020-9  
Verarbeitungswerkzeug; X-Y-Einsetzmaschine 2-872 020-9
- 6 1-2 µm TIN IN AREA "F" ABOVE  
1.2 µm NICKEL IN AREA "L"  
AREA "C": 5.0 µm TIN ABOVE 1.2 µm NICKEL  
1-2 µm Zinn im Bereich "F" über  
1.2 µm Nickel im Bereich "L"  
Im Bereich "C" 5.0 µm Zinn über 1.2 µm Nickel
- 5 TE-SPEC. 108-18002  
TE-Spez.
- 4 SOLDERABILITY ACC. TO DIN40046  
Lötbarkeit nach
- 3 REEL UNIT 50000 PINS Rolleneinheit 50000 Stifte  
REEL-Ø 600MM Rollen-Ø 600mm  
REEL THICKNESS Rollendicke  
14mm for 1-929958-1  
14mm for 2-929958-1  
19mm for 1-929958-2  
16mm for 2-929958-2
- 2 PRESS-IN ZONE FOR 1.6mm PCB  
REQUIREMENTS ON THE PCB-hole:  
Einpresszone für 1.6mm Leiterplatte  
Anforderung an Leiterplatten-Bohrung:  
Bohrlochdurchmesser / HOLE DIAMETER: 1.0±0.025mm  
Cu-Dicke / Cu-THICKNESS: 25-50 µm  
Sn-Dicke / Sn-THICKNESS: 4-10 µm  
Fertiglochdurchmesser / FINISHED HOLE DIAMETER: 0.9±0.05mm
- 1 0.2 µm Au IN AREA "F" ABOVE  
1.2 µm NICKEL IN AREA "L"  
IN AREA "C": 5.0 µm TIN ABOVE  
1.2 µm NICKEL.  
0.2 µm Au im Bereich "F" über  
1.2 µm Nickel im Bereich "L"  
Im Bereich "C" 5.0 µm Zinn über  
1.2 µm Nickel



NOT FOR NEW APPLICATIONS  
Nicht für Neuanwendungen

6	CuSn4/F65	7	7	13.2	10	2-929 958-2
1	CuSn4/F65	7	6	13.2	10	1-929 958-2
6	CuSn4/F65	6.7	6.7	11.45	8.25	2-929 958-1
1	CuSn4/F65	6.7	6	11.45	8.25	1-929 958-1
FINISH	MATERIAL	"A"	"F"	"N"	"L"	ORDER NO Bestell-Nr.
DIMENSIONS						3

THIS DRAWING IS A CONTROLLED DOCUMENT FOR TYCO ELECTRONICS CORPORATION IT IS SUBJECT TO CHANGE AND THE CONTROLLING ENGINEERING ORGANIZATION SHOULD BE CONTACTED FOR THE LATEST REVISION.		DWN Zwarnig 14 JUL 1989	Tyco Electronics AMP GmbH 64625 Bensheim (Germany)	
DIMENSIONS: mm		CHK Zitz, A. 12MAR2008	NAME ACTION PIN FOR MICRO QUADLOK SYSTEM	
TOLERANCES UNLESS OTHERWISE SPECIFIED:		APVD Bleicher, M. 14MAR2008	SIZE A2	
0 PLC ± ±0.2	1 PLC ± ±0.2	PRODUCT SPEC	CAGE CODE 00779	DRAWING NO G-929958
2 PLC ± ±0.2	3 PLC ± ±0.2	APPLICATION SPEC	SCALE 5:1	SHEET 1 OF 1
4 PLC ± ±0.2	ANGLES ±5°	WEIGHT	CUSTOMER DRAWING	REV F4
MATERIAL SSE TABLE	FINISH SEE TABLE	RESTRICTED TO		