

PART NAME: KNOB

SCALE: 1:1

DATE: 7/25/94

DR. BY: D

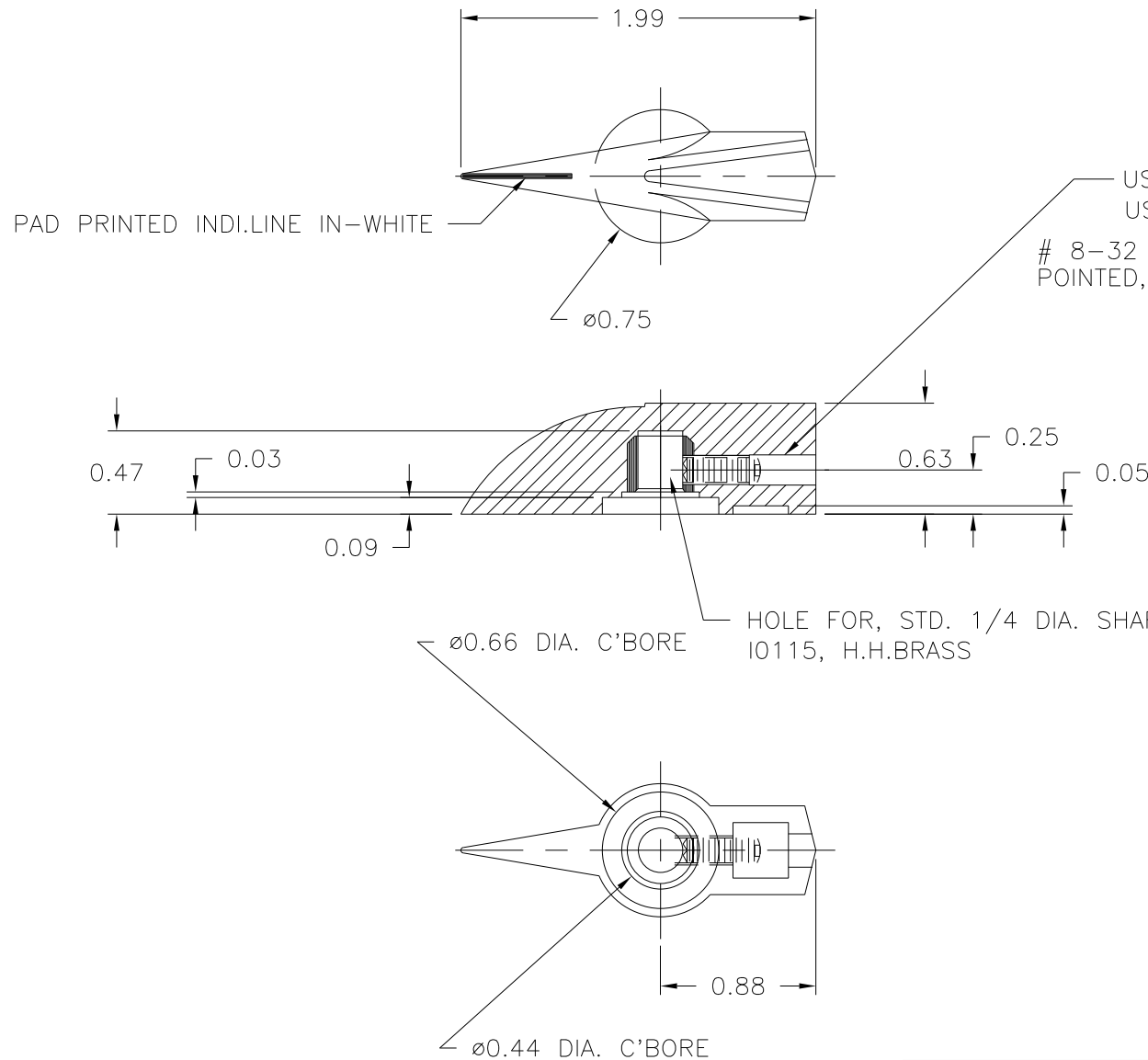
DAVIES MOLDING COMPANY  
CAROL STREAM, ILLINOIS 60188

P/N 2350-AH

BASE PART 2350-02

SET SCREW I0022

THIS DRAWING IS THE PROPERTY OF DAVIES MOLDING COMPANY, IS SUBMITTED SOLELY AS A DESIGN OR ENGINEERING PROJECT.  
WE ACCEPT NO RESPONSIBILITY WHATSOEVER FOR THE PRACTICAL APPLICATION OF THE PIECES MADE TO THIS DESIGN.



USE # 18 DR.(.169) X 3/8 DEEP CBORE.  
 USE # 29 DR.(.140); # 8-32 TAP.  
 # 8-32 THD'D. X 1/4 LG. CUP  
 POINTED, SLOTTED TYPE, SET SCREW I0022, (1)

HOLE FOR, STD. 1/4 DIA. SHAFT  
 I0115, H.H.BRASS

MARERIAL : #4311 PLENCO PHENOLIC (B41)  
 COLOR : BLACK

TOLERANCES: UNLESS OTHERWISE SPECIFIED	DO NOT SCALE DRAWING			
DECIMALS: X.XXX ± .005 X.XX ± .015	MM: X.XX ± 0.15MM X.X ± 0.4MM	-	UPDATED TOOLBOX	JAM10/21/02
FRACTIONS ± 1/64	ANG. ± 1°	CHANGES		