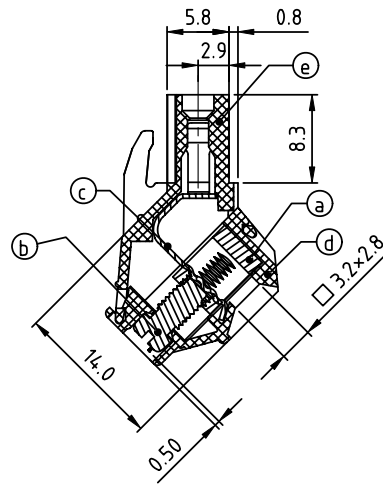
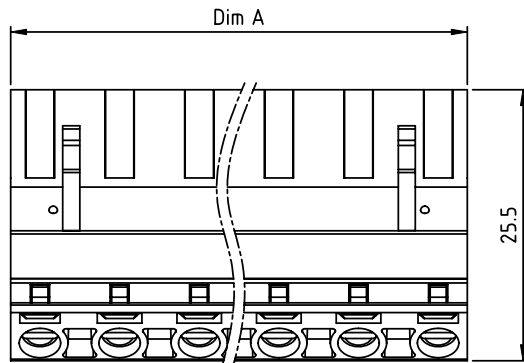
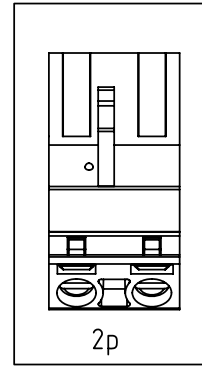
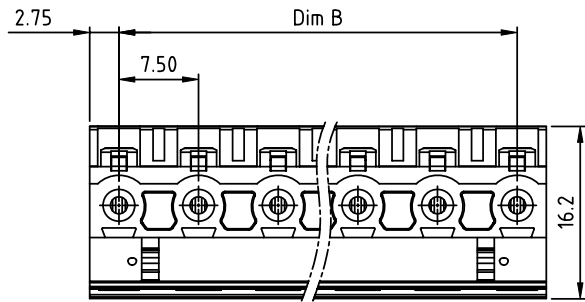


PRODUCT NUMBER	PITCH
EMxxA1x000J0G	7.50 mm



Material:

- Item (a) Clamp: Brass(CuZn) Ni plated
- Item (b) Terminal screw: Steel Zinc plating "-" slot type
- Item (c) Female contact: High conductivity copper, Tin plated
- Item (d) Terminal (top body): Thermoplastic (UL94V-0)
- Item (e) Terminal (bottom body): Thermoplastic (UL94V-0)

Electrical cULus

- Voltage rating: 300VAC
- Current rating: 20A
- Wire range:
- Solid wire(AWG): 12-22
- Stranded wire(AWG): 12-22
- Torque: 4 Lb-In
- Screw: M3
- Wire strip length: 7-8mm
- Withstanding Voltage: 1.6KV
- Operating temperature: -40°C to +115°C
- Safety Approval:

PART NO.: EM xx A1 x 0 00J0 G

DimA=(N-1)×7.5+5.5  
DimB=(N-1)×7.5  
N=Number of poles

POLES	Tolerance
2p-6p	±0.20
7p-12p	±0.30
13p-16p	±0.40

Solid block	No. of poles	Color	RoHS compliant (lead<4%) In copper Alloy
0	2	Black (RAL9005)	
02	2	Red (RAL3001/D)	
03	3	Orange(RAL2011/P)	
4	3	Yellow(RAL1018/A)	
5	...	Green(RAL6018/T)	
6	16	Blue (RAL5015/A)	
8		Grey(RAL7035/D)	
9		White(RAL1102)	
C		Green(RAL6018/U)	

mat'l. code		surface ASME Y14.5 ✓	tolerance ASME Y14.5	projection	product family
ltr ecn no dr date		tolerances unless otherwise specified			TERMINAL BLOCK
		angles	X.±0.5	MM	title
		X*±1"	X.X±0.3	scale	TERMINAL BLOCK
		dr	EVIN ZHONG 042114		PLUGGABLE PLUG, WITHOUT FLANGE
		enrg	EVIN ZHONG 042114		dwg no
		chr	HANKE FENG 042114		sheet 1 of 1
		appd	SHI JUN 042114		size
sheet index	revision sheet	A	1		EMxxA1x000J0G A4
					type CUSTOMER Drawing