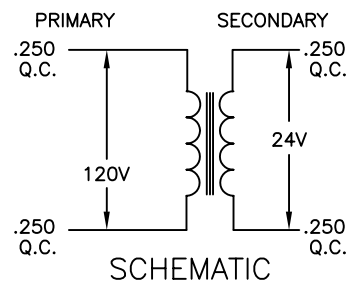
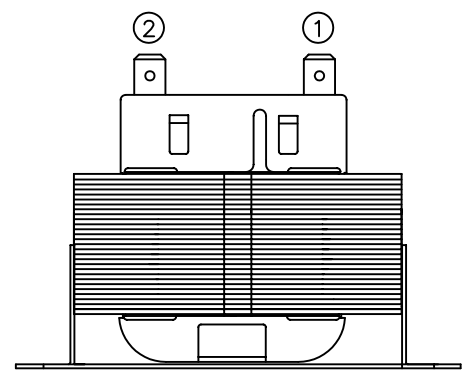
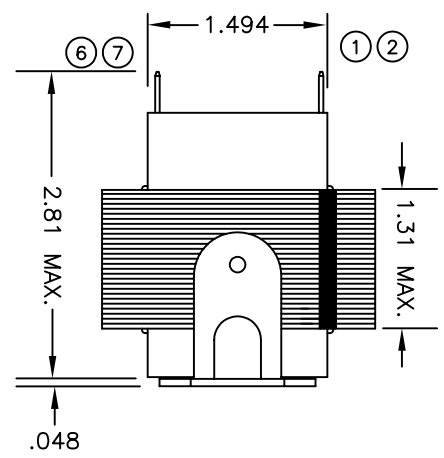
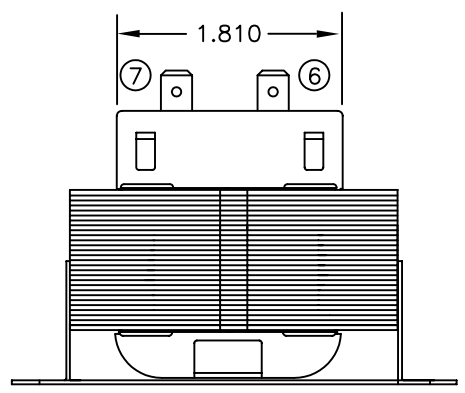


| | | | | | | | | | |
|--------------------|------|------|---|---|-----------|------|------|---|---|
| PRIMARY | | | | | SECONDARY | | | | |
| TERM NO. | 1 | 2 | 3 | 4 | 5 | 6 | 7 | 8 | 9 |
| VOLTAGE | COM | 120 | | | | 24 | VAC | | |
| TERMINAL WIDTH | .250 | .250 | | | | .250 | .250 | | |
| TERMINAL THICKNESS | .032 | .032 | | | | .032 | .032 | | |

NOTES:
 1. DIMENSIONS FOR REFERENCE ONLY.
 2. WINDING PROTECTION-INHERENTLY LIMITED

CERTIFICATION: UL/CUL FILE NO E87824



TYCO PART NUMBER
 3-1611513-9

| | | | | |
|--|--|------------------|------------|--|
| THIS DRAWING IS A CONTROLLED DOCUMENT. | | DWN | 26JAN07 | Tyco Electronics Corporation Harrisburg, PA 17105-3608 |
| DIMENSIONS: INCHES | | CHK | 26JAN07 | |
| TOLERANCES UNLESS OTHERWISE SPECIFIED: | | APVD | 26JAN07 | |
| 0 PLC ± - 1 PLC ± - 2 PLC ± .01 3 PLC ± .005 4 PLC ± - ANGLES ± - | | NAME | | |
| MATERIAL | | PRODUCT SPEC | | TRANSFORMER OUTLINE P.U. STOCK |
| FINISH | | APPLICATION SPEC | | |
| | | WEIGHT | | SIZE: A3 CAGE CODE: 00779 DRAWING NO: C=4000-01AW18AE999 |
| | | CUSTOMER DRAWING | SCALE: 1:1 | SHEET: 1 OF 1 REV: A |