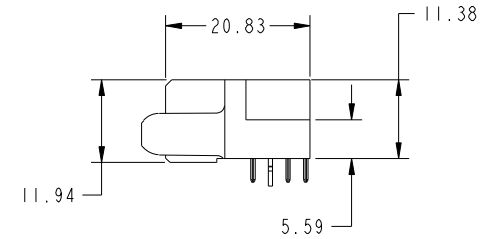
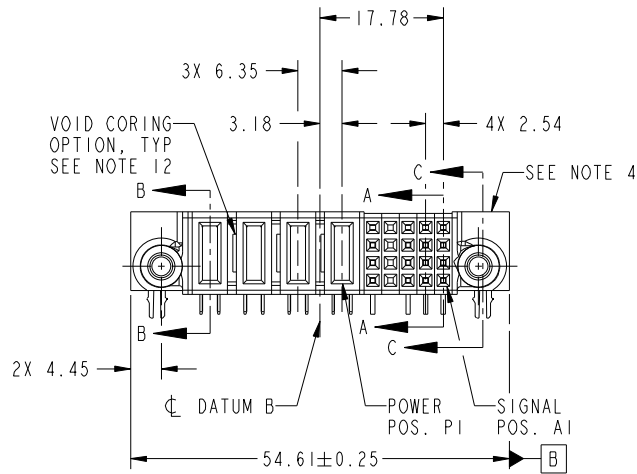


Tous droits strictement reserves. Reproduction ou communication a des tiers interdite sous quelque forme que ce soit sans autorisation écrite du propriétaire. Propriete de c FCI. Droits de reproduction FCI.



All rights strictly reserved. Reproduction or issue to third parties in any form whatever is not permitted without written authority from the proprietor. Property of FCI. Copyright FCI.

PRODUCT NO.	ROWS	POWER				SIGNAL					E1
		E2	P4	P3	P2	P1	5	4	3	2	
51771-018-- NOTE ③	D C B A		PA	PA	PA	PA	H	X	H	H	H
							G	X	G	G	G
							F	X	F	F	F
							E	X	E	E	E



CODE	DIM "M" MATING LENGTH	CONTACT TYPE
PA	[1.07]	POWER
H	[N/A]	SIGNAL
G	[N/A]	SIGNAL
F	[N/A]	SIGNAL
E	[N/A]	SIGNAL
HA	[N/A]	HOLD-DOWN
X	OMITTED	OMITTED

mat'l code				SEE NOTE 2		tolerances unless otherwise specified		CUSTOMER		FCI	
ltr	ecn no.	dr	date	linear	0.X ± 0.5	projection		COPY		www.fciconnect.com	
A	DG08-0300	JC	10/30/08	angles	0.XX ± 0.25	MIM		title		20S + 4P R/A STB RECEPTACLE	
				dr	0.XXX ± 0.10	scale		product family		PwrBlade code	
				enr	0° + 2°	1:1		size		213	
				chr				dwg no		1 of 4	
				appd				51771-018			
sheet index	revision sheet	A	A	A	A			A			
		1	2	3	4			cage code		22526	

Pro/E

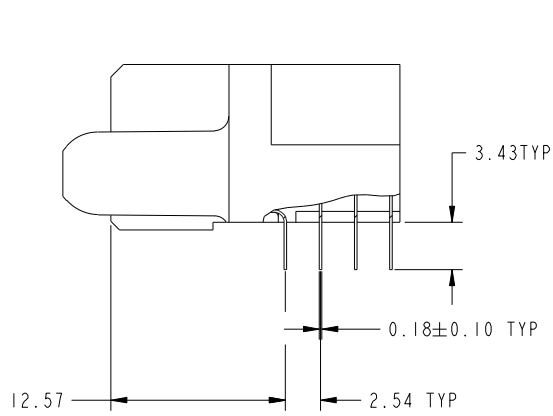
cage code 22526

Tous droits strictement reserves. Reproduction ou communication a des tiers interdite sous quelque forme que ce soit sans autorisation écrite du propriétaire. Propriete de c FCI. Droits de reproduction FCI.

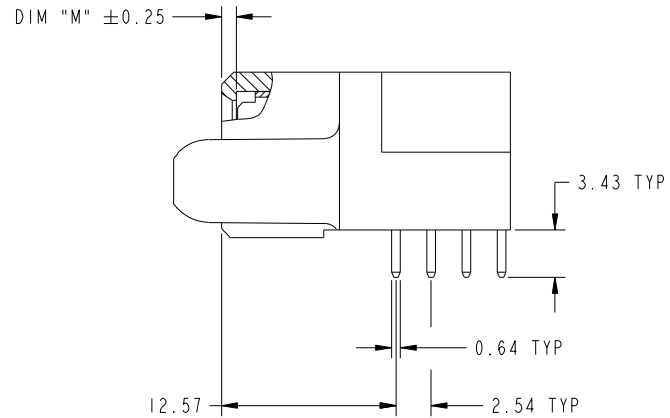


All rights strictly reserved. Reproduction or issue to third parties in any form whatever is not permitted without written authority from the proprietor. Property of FCI. Copyright FCI.

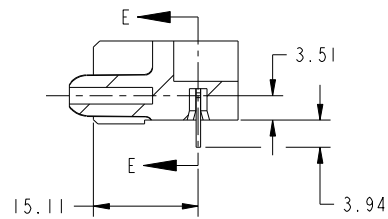
PRODUCT NUMBER
51771-018--
NOTE ③



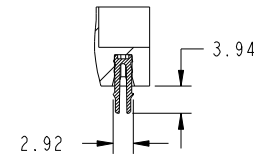
BROKEN-OUT SECTION A-A
SCALE 2:1



BROKEN-OUT SECTION B-B
SCALE 2:1



SECTION C-C



SECTION E-E

mat'l code				SEE NOTE 2		tolerances unless otherwise specified		CUSTOMER		FCI		
ltr	ecn no.	dr	date	linear	0.X ± 0.5	projection	COPY		www.fciconnect.com			
A					0.XX ± 0.25			title		20S + 4P R/A STB RECEPTACLE		
					0.XXX ± 0.10				product family		PwrBlade	code
					angles 0° ± 2°		scale		size		A	51771-018
				dr	Jerome Chen	07/31/08	1:1		sheet		2 of 4	
				enr	Jerome Chen	07/31/08			cage code		22526	
				chr	Gary Hsieh	07/31/08						
				appd	Joseph Hsia	07/31/08						
sheet index		revision sheet										

Pro/E

cage code 22526

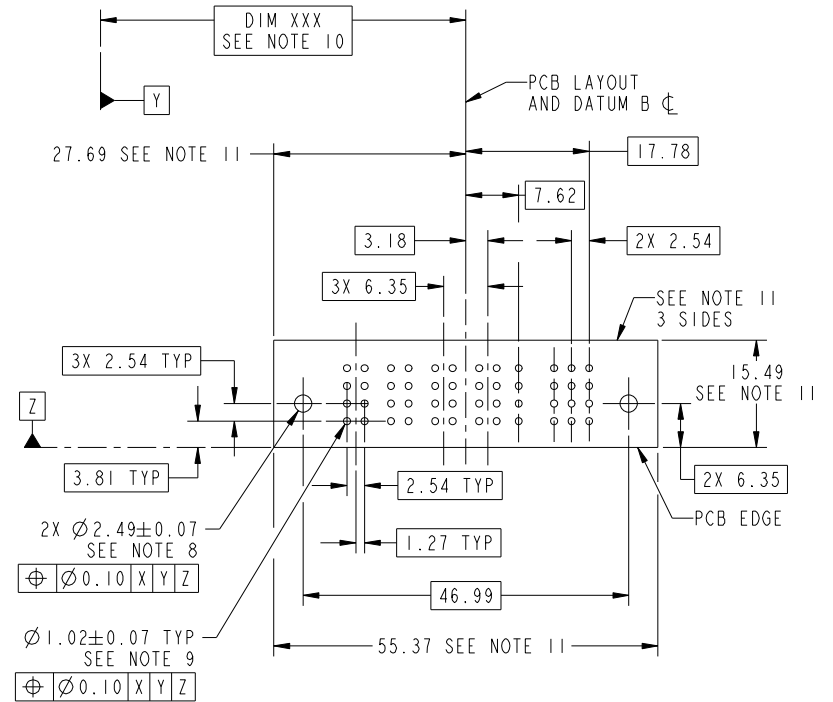
Tous droits strictement reserves. Reproduction ou communication a des tiers interdite sous quelque forme que ce soit sans autorisation écrite du propriétaire. Propriete de c FCI. Droits de reproduction FCI.



All rights strictly reserved. Reproduction or issue to third parties in any form whatever is not permitted without written authority from the proprietor. Property of FCI. Copyright FCI.

PRODUCT NUMBER
51771-018--
NOTE ③

1 | 2 | 3 | 4



RECOMMENDED PCB LAYOUT

mat'l code				SEE NOTE 2		tolerances unless otherwise specified		CUSTOMER		FCI	
ltr	ecn no.	dr	date	linear	0.X ± 0.5	COPY		www.fciconnect.com		title	
A					0.XX ± 0.25	projection		20S + 4P		R/A STB RECEPTACLE	
				angles	0.XXX ± 0.10	0° ± 2°		product family		PwrBlade	
		dr	Jerome Chen	07/31/08	MIM		size		dwg no		213
		enr	Jerome Chen	07/31/08	scale		A		51771-018		sheet
		chr	Gary Hsieh	07/31/08	1:1						3 of 4
		appd	Joseph Hsia	07/31/08							
sheet index	revision sheet										

cage code 22526

Pro/E

1 | 2

3 | 4

Tous droits strictement reserves. Reproduction ou communication a des tiers interdite sous quelque forme que ce soit sans autorisation écrite du propriétaire. Propriete de c FCI. Droits de reproduction FCI.

All rights strictly reserved. Reproduction or issue to third parties in any form whatever is not permitted without written authority from the proprietor. Property of FCI. Copyright FCI.



PRODUCT NUMBER
51771-018--
NOTE ③

NOTES:

1. DIMENSIONS AND TOLERANCES ARE IN ACCORDANCE WITH ASME Y14.5M, 1994 UNLESS OTHERWISE SPECIFIED.

CONNECTOR NOTES:

- ② HOUSING MATERIAL: UL 94 V-0 GLASS FILLED HIGH-TEMP THERMOPLASTIC
POWER CONTACT MATERIAL: COPPER ALLOY
SIGNAL PIN MATERIAL: COPPER ALLOY
- 3. PLATING:
SEE PRINT 10064183 FOR PLATING SPEC OF 51771-018; 51771-018LF
- ④ MANUFACTURER'S NAME, P/N, AND DATE CODE TO APPEAR ON THIS SURFACE.
- 5. PRODUCT SPECIFICATION GS-12-149.
APPLICATION SPECIFICATION BUS-20-067.
- 6. PACKAGED IN TRAYS.

PCB NOTES:

- 7. ALL HOLE DIAMETERS ARE FINISHED HOLE SIZE.
- ⑧ MOUNTING HOLES, WHERE APPLICABLE, ARE UNPLATED.
- ⑨ $\varnothing 1.151 \pm 0.025$ DRILLED HOLES PLATED WITH 0.008 MIN SnPb OVER 0.03 TO 0.08 Cu PLATING TO ACHIEVE $\varnothing 1.02 \pm 0.07$ HOLE.
- ⑩ "DIM XXX" TO BE DETERMINED BY THE CUSTOMER.
- ⑪ CONNECTOR KEEP-OUT ZONE.
- 12. THE VOID CORING IN BETWEEN POWER MODULES, SIGNAL MODULES AND END MODULES ARE OPTIONAL AND THE SHAPE MAY BE DIFFERENT FOR OPTIMIZING THE MOLDING PROCESS. THE VOID CORING WILL NOT EFFECT TO PRODUCT FUNCTION.

mat'l code		SEE NOTE 2		tolerances unless otherwise specified		CUSTOMER		FCI		www.fciconnect.com					
ltr	ecn no.	dr	date	linear	0.X ± 0.5	COPY		title 20S + 4P R/A STB RECEPTACLE							
A					0.XX ± 0.25	projection						product family		code	
				angles	0.XXX ± 0.10							PwrBlade		213	
				dr	Jerome Chen 07/31/08	MIM		size		sheet					
				enr	Jerome Chen 07/31/08			dwg no		4 of 4					
				chr	Gary Hsieh 07/31/08	scale		A		51771-018					
				appd	Joseph Hsia 07/31/08	1:1									
sheet index	revision sheet														

cage code 22526

Pro/E