

4

3

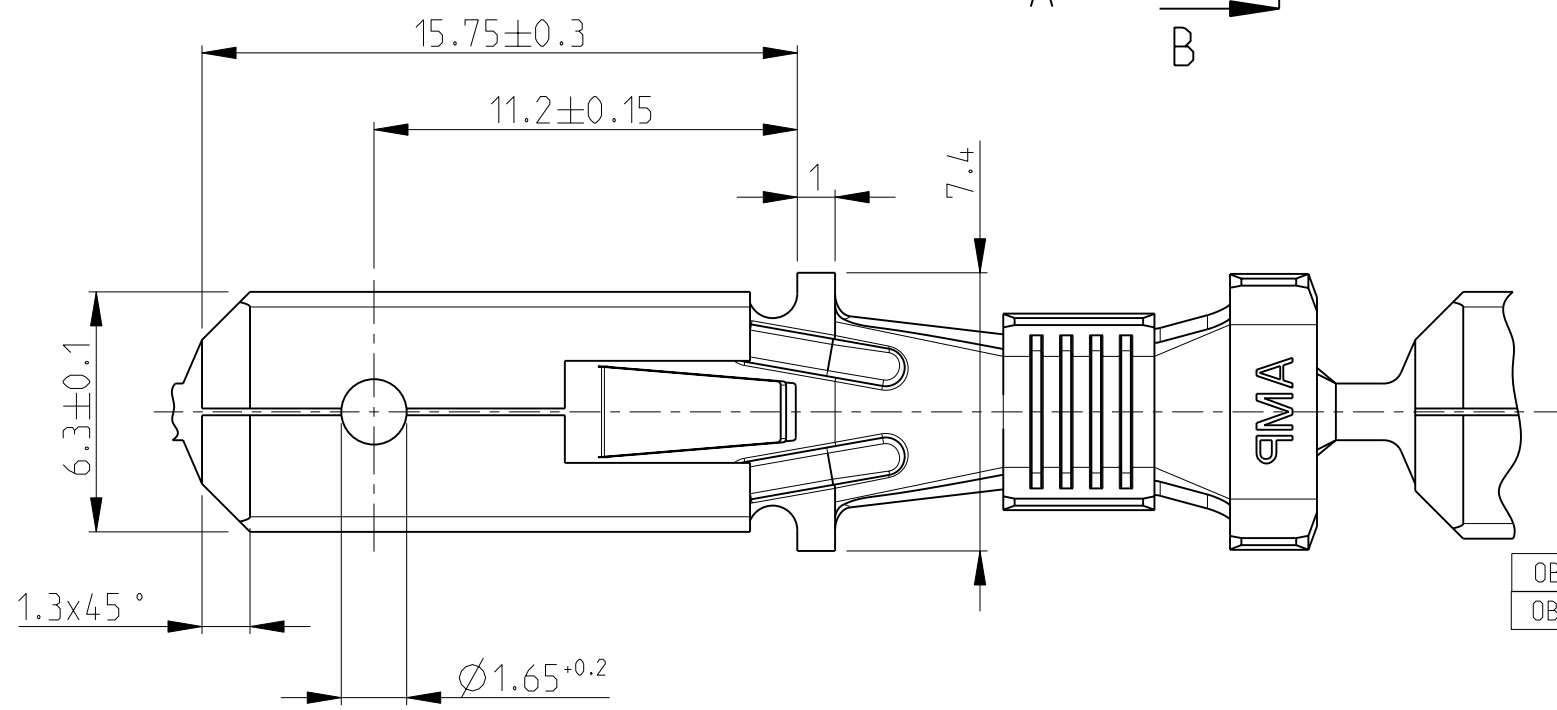
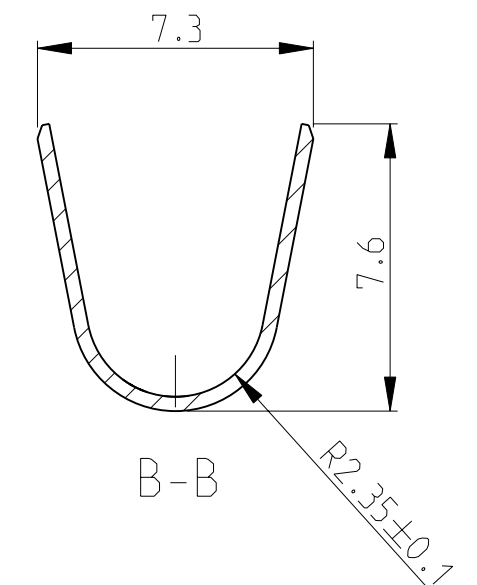
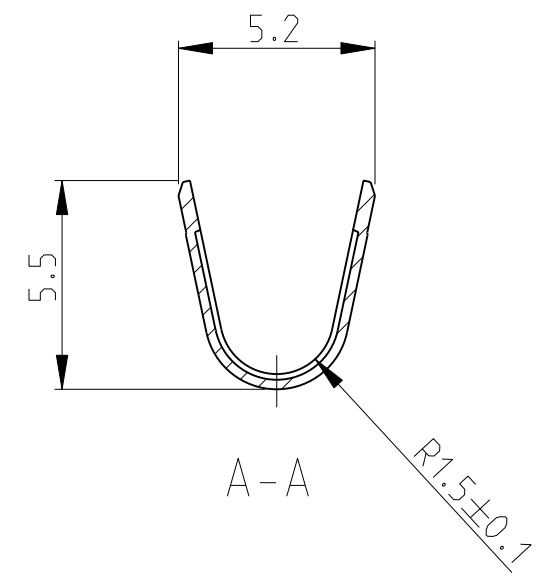
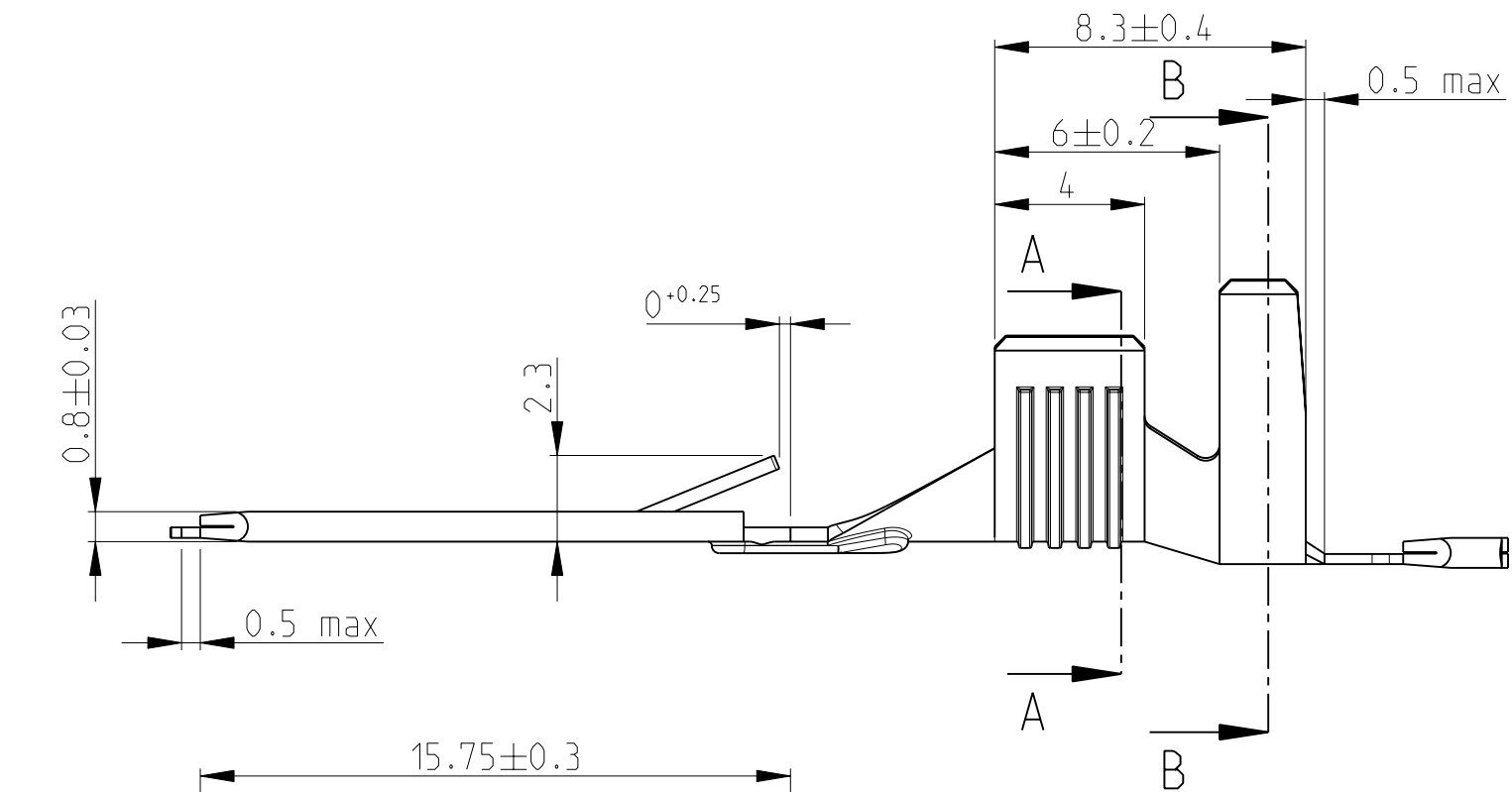
2

1

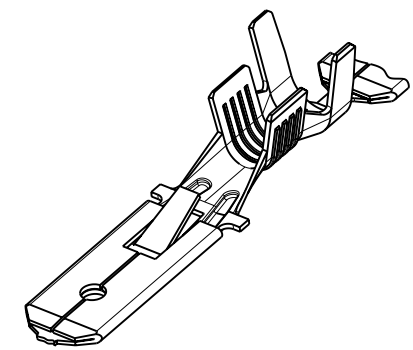
THIS DRAWING IS UNPUBLISHED. RELEASED FOR PUBLICATION 2005
 © COPYRIGHT 2005 ALL RIGHTS RESERVED.

LOC	DIST	REVISIONS			
P	LTR	DESCRIPTION	DATE	DWN	APVD
A1	-	G1	NEW CAD DRAWING CREATED	15AUG2005	KF CG
		G2	DASH-NO. -4 /-5/ -6/ -7/ -8 REMOVED	15MAR2006	Abr Goep
		G3	ECR-10-026307	16JUN2011	KK HMR

WAS 280080



OBSOLETE	928952-3	PLAIN / blank	CuSn4	928951-3	G
OBSOLETE	928952-2	TIN / Zinn OVER/über Ni	CuZn30	928951-2	G
	928952-1	PLAIN / blank	CuZn30	928951-1	G
	LOOSE PIECE No.	FINISH	MATERIAL	TE PART NUMBER	REV.



THIS DRAWING IS A CONTROLLED DOCUMENT.

DIMENSIONS: mm	TOLERANCES UNLESS OTHERWISE SPECIFIED: ±0.2	DWN K. Fruehwirth 15AUG2005	TE Connectivity .250ser. FASTIN-ON TAB (ACCORDING TO DIN 46 343)
	0 PLC ± 1 PLC ± 2 PLC ± 3 PLC ± 4 PLC ± ANGLES ±1°	CHK - 23AUG2005	
MATERIAL -	FINISH -	APVD M. Bleicher 24AUG2005	
		PRODUCT SPEC -	
		APPLICATION SPEC -	SIZE A3
		WEIGHT 0.9 g	CAGE CODE 00779
		CUSTOMER DRAWING	DRAWING NO. C=928951
			RESTRICTED TO -
			SCALE 5:1
			SHEET 1 OF 1
			REV G3