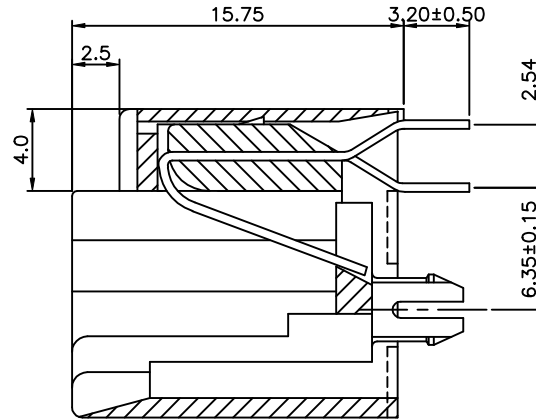
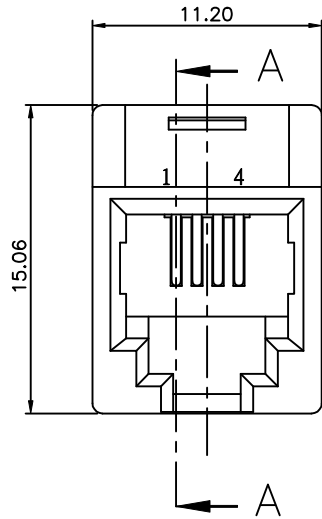
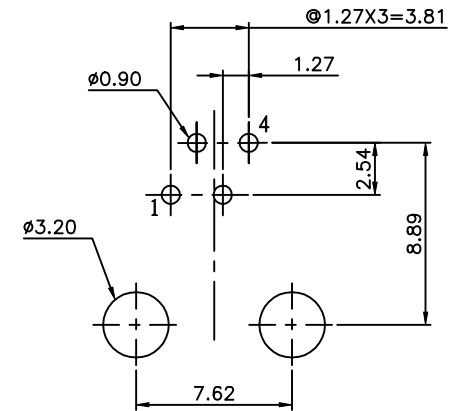
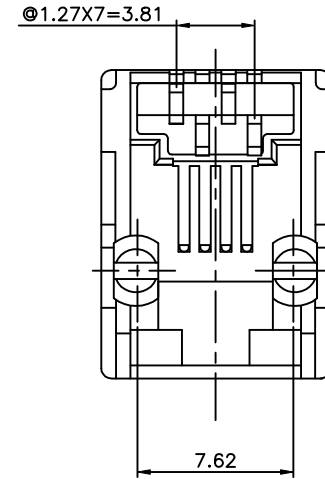


REVISION RECORD				
REV	ECO	DESCRIPTION	DRFT	CHKD
1		DESIGN MODIFY	CZH 2/12/2002	
2		ADD PART NO	WJH 6/10/2002	
3		NOTES MODIFY	APRNS 10/22/08	



SECTION A-A



PCB LAYOUT

NOTES:

ELECTRICAL:

1. VOLTAGE RATING : 125 VAC RMS.
2. CURRENT RATING : 1.5 AMP.
3. CONTACT RESISTANCE : 30 MILLIOHMS MAX.
4. INSULATION RESISTANCE: 500 MEGOHMS MIN @ 500 VDC.
5. DIELECTRIC STRENGTH : 1000 VAC RMS 60Hz, 1MIN.

MECHANICAL:

1. HOUSING MATERIAL : GLASS FILLED POLYESTER UL94V-0.
2. CONTACT MATERIAL : PHOSPHOR BRONZE t=0.35mm.
3. PLATING : GOLD PLATING OVER NICKEL.
4. OPERATING LIFE : 750 CYCLES MIN.
5. PCB RETENTION PRE-SOLDER : 1 LB MIN.
6. PCB RETENTION POST-SOLDER: 10 LBS MIN.

ENVIRONMENTAL:

1. STORAGE : -40°C TO +85°C.
 2. OPERATION: -40°C TO +85°C.
- MATES WITH MODULAR PLUG CONFORMING TO
FCC PART 68, SUBPART F.
CUL FILE NO. E163191
PART NUMBER: E5244-700X4X

- | | |
|-------------|---------|
| 1- 3u" | 2- 6u" |
| 3- 15u" | 4- 30u" |
| 5- 50u" | |
| 0--A06-0100 | |
| 4--A06-0110 | |
| 6--A06-0350 | |

MM (INCH)		DFTO SYANG	DATE 3/31/98	FULL RISE ELECTRONIC CO., LTD	
TOLERANCES EXCEPT AS NOTED		CHKD SAMMY	DATE 2004/11/18		
		MFO	DATE	TITLE RJ11 TOP ENTRY PCB MOLDING JACK (DIP TYPE)	
		APPVLUSHENG	DATE 2004/11/18		
DETAILED LISTS		MATERIAL :		DRAWING NO. GE523043 /PART NO. SEE NOTE	
ANGLES ± 0.5		QT'Y :			
THIRD ANGLE PROJECTION		FINISH :		SIZE A3	
		SCALE : 4:1			
DO NOT SCALE DRAWING				REV 3	
SHEET				OF	