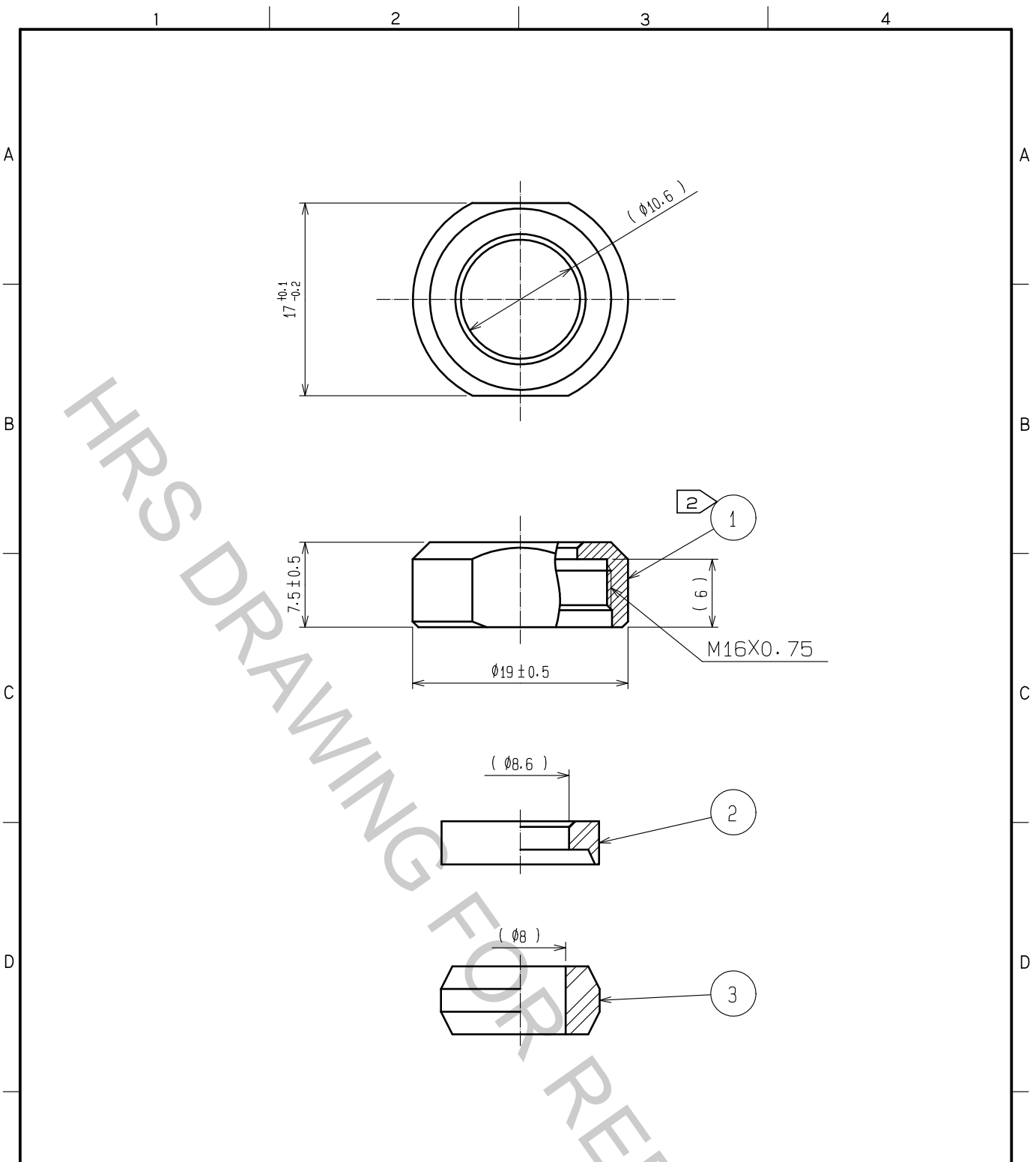


Aug.1.2018 Copyright 2018 HIROSE ELECTRIC CO., LTD. All Rights Reserved.
 In case that the application demands a high level of reliability, such as automotive,
 please contact a company representative for further information.



NOTES 1 THIS PRODUCT IS DELIVERED DISASSEMBLED.
 2 THE RECOMMENDED CLAMP TRQUE OF REF. ① TO BE 2 TO 2.5N·m
 LOCTITE 263, HENKEL JAPAN OR EQUIVALENT IS RECOMMENDED TO PREVENT
 REF. NO. ① FROM LOOSENING.

| 2 | PPS | (BLACK) UL94V-0 | | | | | |
|---------------------------|-------------|--------------------------|----------------|-------------|--------------------------|----------|---------|
| 1 | BRASS | BLACK CHROME PLATING | 3 | NBR | (GRAY) | | |
| NO. | MATERIAL | FINISH . REMARKS | NO. | MATERIAL | FINISH . REMARKS | | |
| | UNITS mm | | SCALE 2 : 1 | COUNT | DESCRIPTION OF REVISIONS | DESIGNED | CHECKED |
| HIROSE ELECTRIC CO., LTD. | | APPROVED : HY. KOBAYASHI | 18. 03. 12 | DRAWING NO. | EDC-110622-31-00 | | |
| | | CHECKED : HY. KOBAYASHI | 18. 03. 12 | PART NO. | JR13WCCA-8(31) | | |
| | | DESIGNED : TH. KAMEYA | 18. 03. 09 | CODE NO. | CL114-2073-6-31 | | |
| | | DRAWN : TH. KAMEYA | 18. 03. 09 | | 1/1 | | |