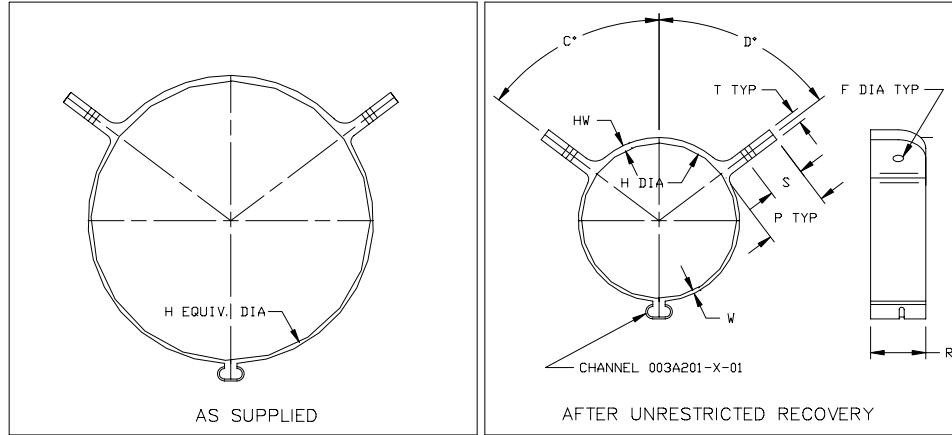


# Thermofit<sup>®</sup> Molded Parts Specification Control Drawing

Part Number : 200C814  
Description : Strap, Mounting  
Heat Detection Sensor

## NOTES

- All dimensions are in  $\frac{\text{inches}}{\text{[millimeters]}}$
- Dimensions appearing in table are as follows:
  - a - As Supplied
  - b - After Unrestricted Recovery



| PART NUMBER | H              |                | P              | R              | S             | T            | HW           | W            | C & D | F            |
|-------------|----------------|----------------|----------------|----------------|---------------|--------------|--------------|--------------|-------|--------------|
|             | Min            | Max            |                |                |               |              |              |              |       |              |
|             | a              | b              | b              | b              | b             | b            | b            | b            | Ref   | b            |
| 200C814     | 3.60<br>[91,4] | 2.50<br>[63,5] | 1.00<br>[25,4] | 1.00<br>[25,4] | .50<br>[12,7] | .20<br>[5,1] | .09<br>[2,3] | .05<br>[1,3] | 53*   | .17<br>[4,3] |

## Raychem

RAYCHEM CORPORATION  
300 CONSTITUTION DRIVE  
MENLO PARK, CALIFORNIA 94025

Revision : D  
Date : 4/9/97

Part Number : 200C814  
Description : Strap, Mounting  
Heat Detection Sensor

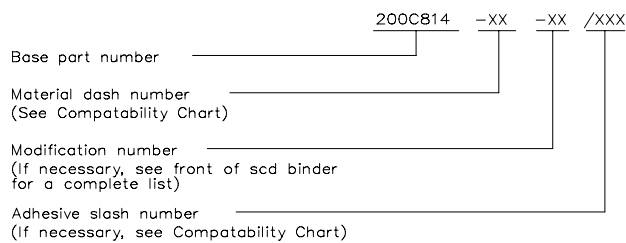
# Thermofit<sup>®</sup> Molded Parts Specification Control Drawing

Part Number : 200C814  
Description : Strap, Mounting  
Heat Detection Sensor

| MATERIAL DASH NO. | MATERIAL DESCRIPTION   | RT SPEC | COATING SLASH NO. | COATING S NO. | COATING DESCRIPTION |
|-------------------|------------------------|---------|-------------------|---------------|---------------------|
| -3                | Polyolefin, Semi-rigid | RT-301  | N/A               |               |                     |
| -12               | *VITON, Flexible       | RT-1312 | N/A               |               |                     |
|                   |                        |         |                   |               |                     |
|                   |                        |         |                   |               |                     |
|                   |                        |         |                   |               |                     |

\*VITON is a Registered Trademark of Dupont

## ORDERING INFORMATION



THIS DRAWING IS SUBJECT TO CHANGE WITHOUT NOTICE; CONSULT YOUR  
NEAREST FIELD REPRESENTATIVE FOR CURRENT REVISION

If this document is printed it becomes uncontrolled.  
Check with the web for latest revision.

## Raychem

RAYCHEM CORPORATION  
300 CONSTITUTION DRIVE  
MENLO PARK, CALIFORNIA 94025

Revision : D  
Date : 4/9/97

Part Number : 200C814  
Description : Strap, Mounting  
Heat Detection Sensor

CAD FILE MP97075