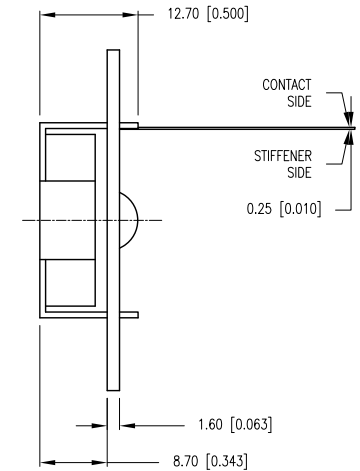
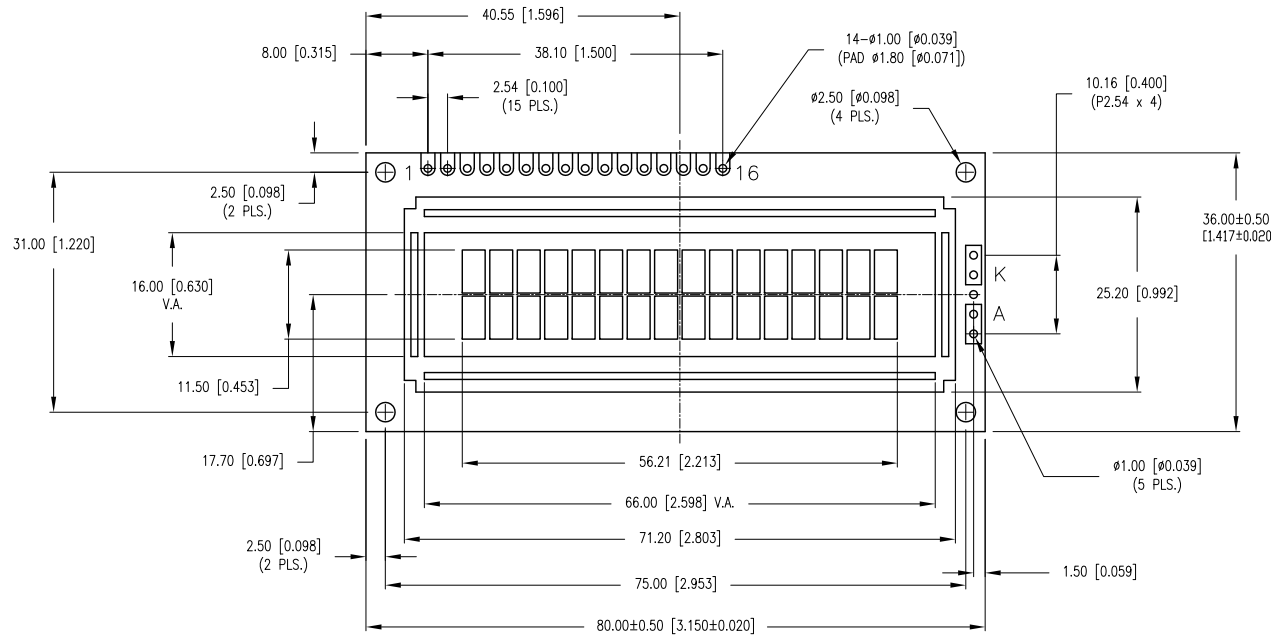
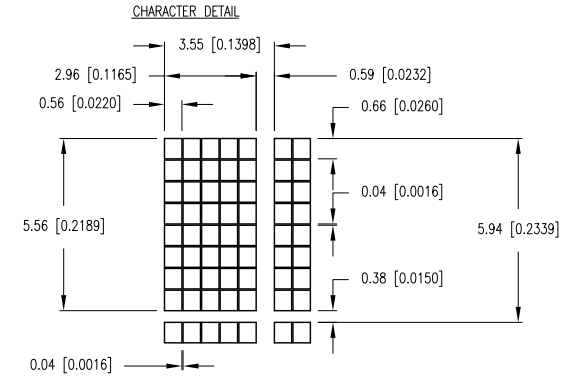
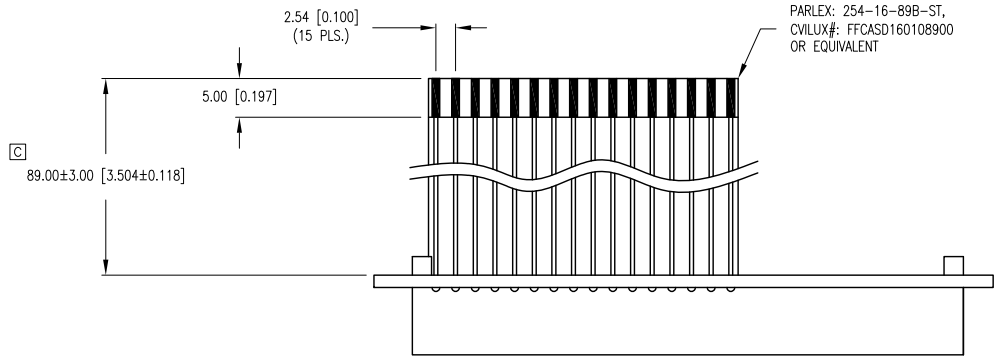


PART NUMBER	LCM-S01602DSF/AYVM	REV.	C
DATE	E.C.N. NUMBER AND REVISION COMMENTS		REV.
03.29.11	E.C.N. #10BRDR. & REDRAWN.		A
07.23.14	E.C.N. #11916.		B
05.19.15	E.C.N. #11950.		C



\*UNLESS OTHERWISE SPECIFIED TOLERANCES PER DECIMAL PRECISION ARE: X=±1 (±0.039), X.X=±0.5 (±0.020), X.XX=±0.25 (±0.010), X.XXX=±0.127 (±0.005). LEAD SIZE=±0.05 (±0.002), LEAD LENGTH=±0.75 (±0.030). MIN.= +DECIMAL PRECISION MAX.= +0.00 -DECIMAL PRECISION



425 N. GARY AVE.  
CAROL STREAM, IL 60188-4900  
PHONE: +1.800.278.5666  
FAX: +1.630.315.2152  
WEB: WWW.ITWECS.COM

16x2 CHAR LCD MODULE, STN YELLOW, TRANSFLECTIVE, LED BACKLIGHT, PIN 15: CATHODE. PIN 16: ANODE.

\*\*THE SPECIFICATIONS MAY CHANGE AT ANY TIME WITHOUT NOTICE DUE TO NEW MATERIALS OR PRODUCT IMPROVEMENT.\*\*

CONFIDENTIAL INFORMATION  
THE INFORMATION CONTAINED IN THIS DOCUMENT IS THE PROPERTY OF LUMEX INC. EXCEPT AS SPECIFICALLY AUTHORIZED IN WRITING BY LUMEX INC., THE HOLDER OF THIS DOCUMENT SHALL KEEP ALL INFORMATION CONTAINED HEREIN CONFIDENTIAL AND SHALL PROTECT SAME IN WHOLE OR IN PART FROM DISCLOSURE AND DISSEMINATION TO ALL THIRD PARTIES.

DATE:	03.29.11	DRAWN BY:	AB
PAGE:	1 OF 2	CHKD BY:	--
SCALE:	NTS	APRVD BY:	--
UNIT:	mm [INCH]		Ⓟ