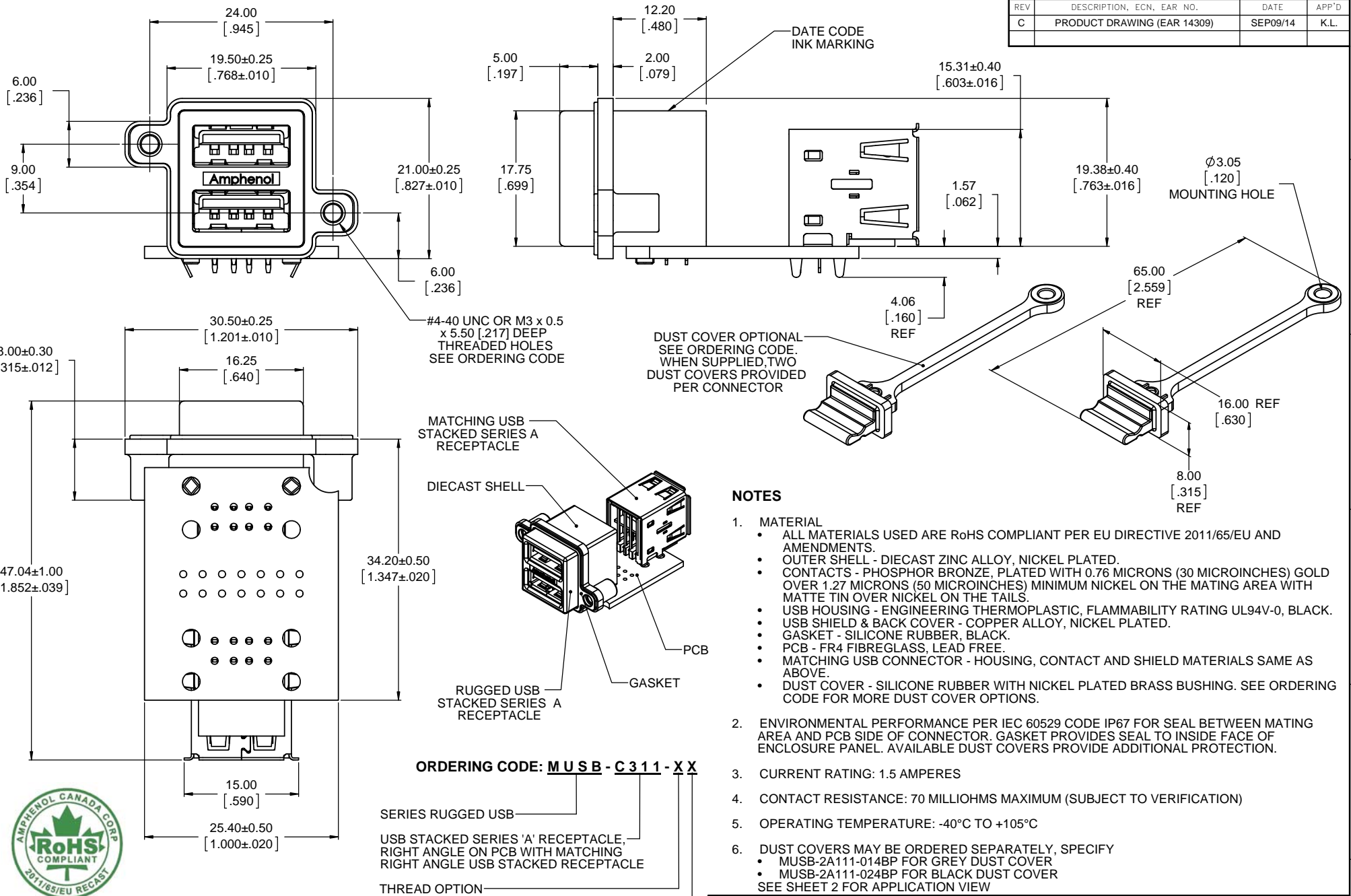


REVISIONS			
REV	DESCRIPTION, ECN, EAR NO.	DATE	APP'D
C	PRODUCT DRAWING (EAR 14309)	SEP09/14	K.L.



**NOTES**

- MATERIAL**
  - ALL MATERIALS USED ARE RoHS COMPLIANT PER EU DIRECTIVE 2011/65/EU AND AMENDMENTS.
  - OUTER SHELL - DIECAST ZINC ALLOY, NICKEL PLATED.
  - CONTACTS - PHOSPHOR BRONZE, PLATED WITH 0.76 MICRONS (30 MICROINCHES) GOLD OVER 1.27 MICRONS (50 MICROINCHES) MINIMUM NICKEL ON THE MATING AREA WITH MATTE TIN OVER NICKEL ON THE TAILS.
  - USB HOUSING - ENGINEERING THERMOPLASTIC, FLAMMABILITY RATING UL94V-0, BLACK.
  - USB SHIELD & BACK COVER - COPPER ALLOY, NICKEL PLATED.
  - GASKET - SILICONE RUBBER, BLACK.
  - PCB - FR4 FIBREGLASS, LEAD FREE.
  - MATCHING USB CONNECTOR - HOUSING, CONTACT AND SHIELD MATERIALS SAME AS ABOVE.
  - DUST COVER - SILICONE RUBBER WITH NICKEL PLATED BRASS BUSHING. SEE ORDERING CODE FOR MORE DUST COVER OPTIONS.
- ENVIRONMENTAL PERFORMANCE PER IEC 60529 CODE IP67 FOR SEAL BETWEEN MATING AREA AND PCB SIDE OF CONNECTOR. GASKET PROVIDES SEAL TO INSIDE FACE OF ENCLOSURE PANEL. AVAILABLE DUST COVERS PROVIDE ADDITIONAL PROTECTION.**
- CURRENT RATING: 1.5 AMPERES**
- CONTACT RESISTANCE: 70 MILLIOHMS MAXIMUM (SUBJECT TO VERIFICATION)**
- OPERATING TEMPERATURE: -40°C TO +105°C**
- DUST COVERS MAY BE ORDERED SEPARATELY, SPECIFY**
  - MUSB-2A111-014BP FOR GREY DUST COVER
  - MUSB-2A111-024BP FOR BLACK DUST COVER

**ORDERING CODE: M USB - C 3 1 1 - X X**

SERIES RUGGED USB  
 USB STACKED SERIES 'A' RECEPTACLE, RIGHT ANGLE ON PCB WITH MATCHING RIGHT ANGLE USB STACKED RECEPTACLE  
 THREAD OPTION  
 3 = #4-40 UNC THREAD  
 M = M3 x 0.5 THREAD  
 DUST COVER OPTION  
 0 = NO DUST COVERS SUPPLIED  
 1 = WITH GREY DUST COVERS SUPPLIED  
 5 = WITH BLACK DUST COVERS SUPPLIED

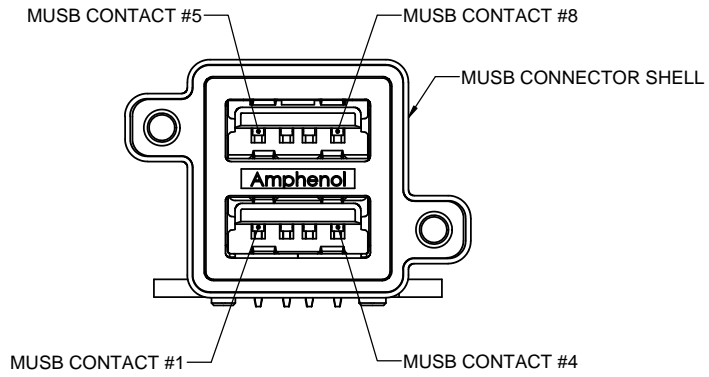


**SPECIAL CONNECTORS**  
 MANY UNIQUE FEATURES ARE READILY AVAILABLE TO SUIT CUSTOMER REQUIREMENTS. CONSULT WITH AMPHENOL CANADA FOR DETAILS

UNLESS SPECIFIED OTHERWISE	DRAWN	S.SEMENOV	MAR01/07
PRIMARY UNITS MILLIMETERS	CHECKED		
SECONDARY UNITS INCHES	M.E. APP'D		
REFERENCE IN PARENTHESES	Q.A. APP'D		
GENERAL TOLERANCES	DWG APPR.	A.GREEN	MAR01/07
1 DECIMAL PLACE	ENG. REL. NO.		
2 DECIMAL PLACES ±0.15	REF.		
3 DECIMAL PLACES	THIRD ANGLE PROJECTION		
ANGULAR DEGREES	DO NOT SCALE DRAWING		

**Amphenol Canada Corp.**  
 www.amphenolcanada.com  
**MUSB SERIES USB RECEPTACLE, SERIES A STACKED, ON PCB WITH RIGHT ANGLE USB RECEPTACLE, THREAD & DUST COVER OPTIONS, RoHS COMPLIANT**  
**P-MUSB-C311-XX**  
 DWG. NO. \_\_\_\_\_ REV C  
 CODE ID NO. 03554 DWG. SIZE: X SCALE: NTS SHEET 1 OF 2

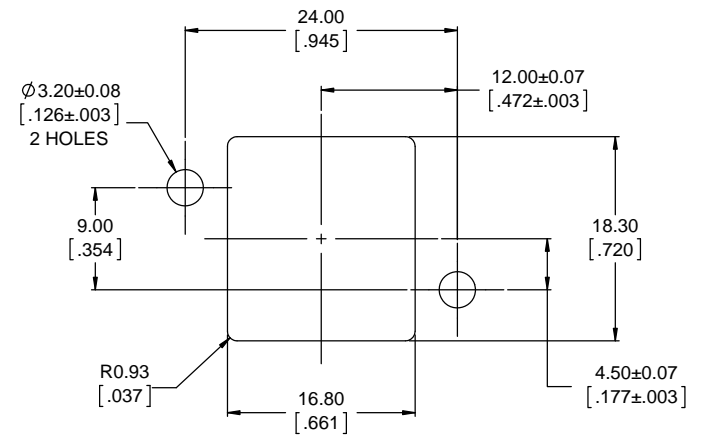
REVISIONS			
REV	DESCRIPTION, ECN, EAR NO.	DATE	APP'D
C	PRODUCT DRAWING (EAR 14309)	SEP09/14	K.L.



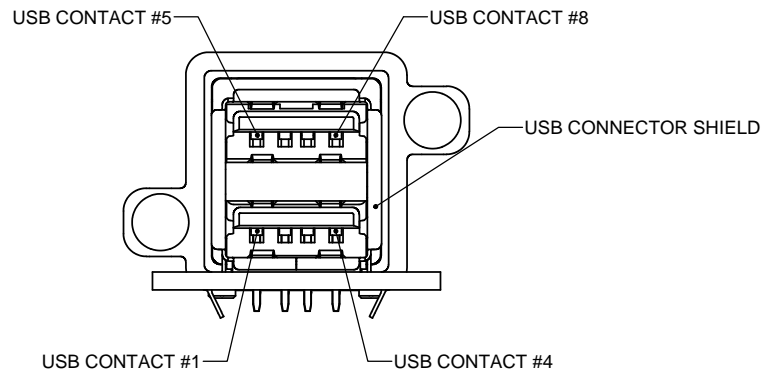
**MUSB CONTACT ASSIGNMENT**

**MUSB CABLE TO USB CONNECTION CHART**

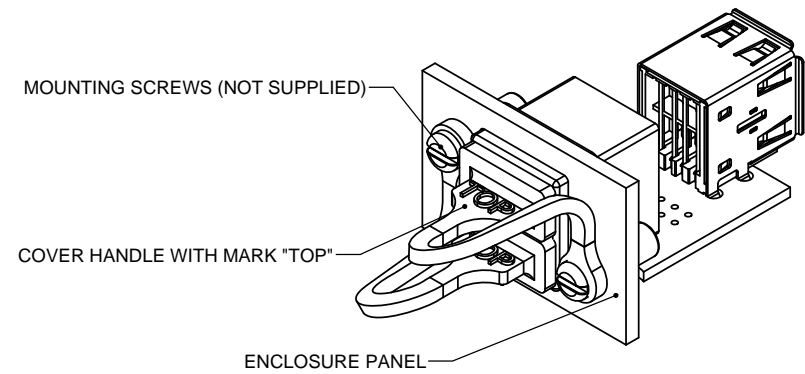
MUSB CONNECTOR CONTACTS	MATCHING USB RECEPTACLE
1	1
2	2
3	3
4	4
5	5
6	6
7	7
8	8
SHELL / GROUND	SHIELD / GROUND



**RECOMMENDED PANEL CUTOUT  
OUTSIDE VIEW OF PANEL**



**USB CONTACT ASSIGNMENT**



**DUST COVER APPLICATION VIEW**



UNLESS SPECIFIED OTHERWISE	DRAWN	S.SEMENOV	MAR01/07
PRIMARY UNITS MILLIMETERS	CHECKED		
SECONDARY INCHES	M.E. APP'D		
REFERENCE IN PARENTHESES	Q.A. APP'D		
GENERAL TOLERANCES	DWG APPR.	A.GREEN	MAR01/07
1 DECIMAL PLACE	ENG. REL. NO.		
2 DECIMAL PLACES ±0.15	REF.		
3 DECIMAL PLACES	THIRD ANGLE PROJECTION		
ANGULAR DEGREES	DO NOT SCALE DRAWING		

**Amphenol Canada Corp.**  
www.amphenolcanada.com

**MUSB SERIES USB RECEPTACLE, SERIES A STACKED, ON PCB WITH RIGHT ANGLE USB RECEPTACLE, THREAD & DUST COVER OPTIONS, RoHS COMPLIANT**

DWG. NO. **P-MUSB-C311-XX** REV **C**

CODE ID NO. 03554 DWG SIZE: X SCALE: NTS SHEET 2 OF 2