

4

3

2

1

THIS DRAWING IS UNPUBLISHED.

RELEASED FOR PUBLICATION

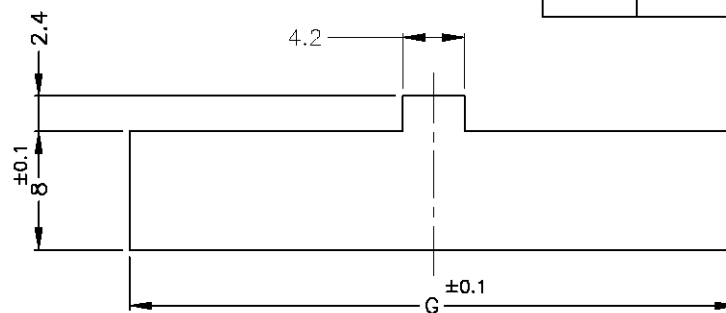
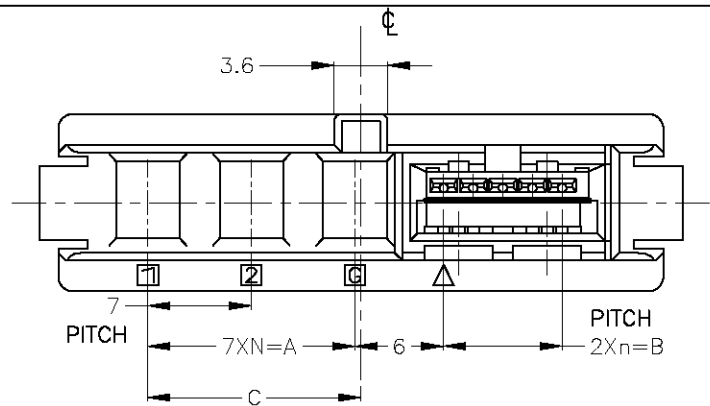
© COPYRIGHT BY TYCO ELECTRONICS CORPORATION. ALL RIGHTS RESERVED.

ALL RIGHTS RESERVED.

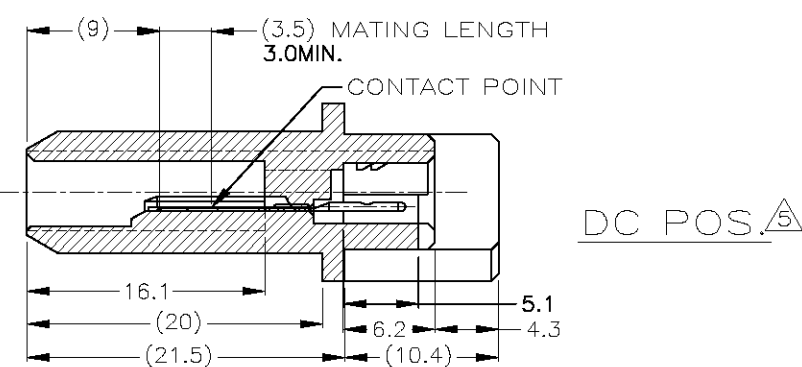
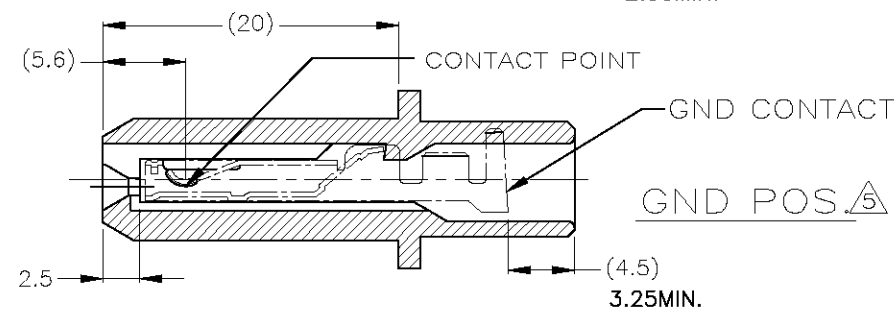
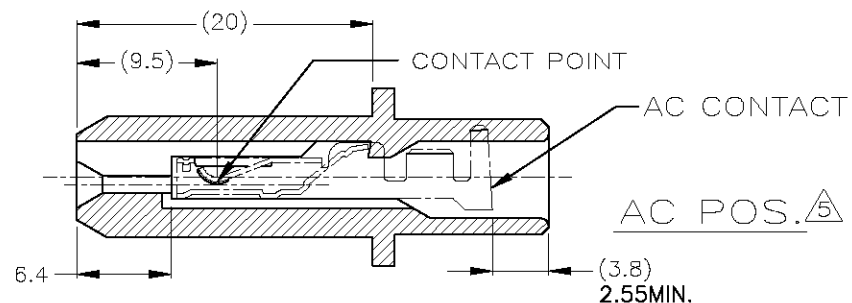
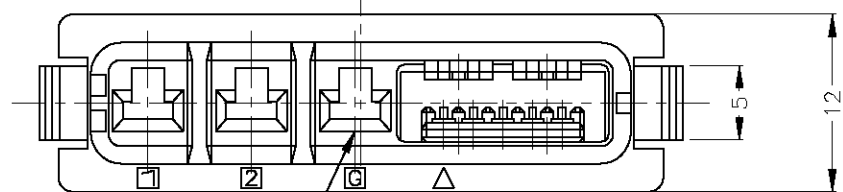
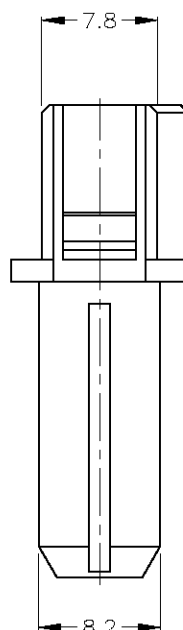
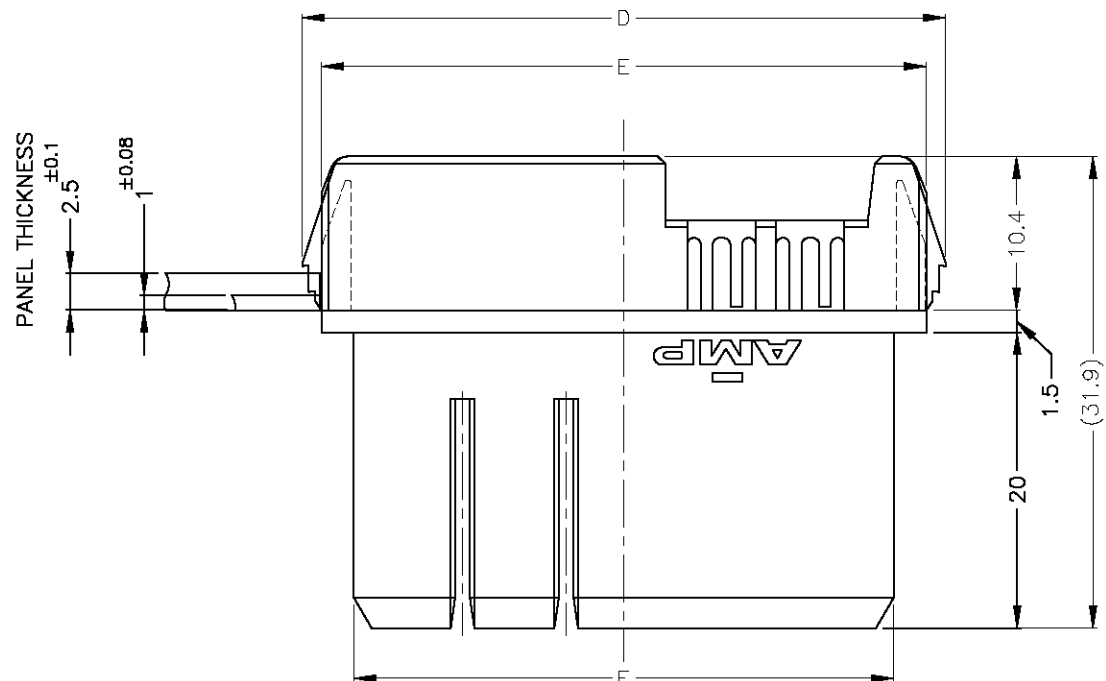
LOC ES DIST 00

REVISIONS

P	LTR	DESCRIPTION	DATE	DWN	APVD
B		REVISED FB00-0217-04	16DEC04	H.H	I.E



PANEL CUT DIMENSIONS



NOTES

- MATERIAL
HOUSING:THERMO PLASTIC (BLACK)
CONTACT:COPPER ALLOY
- CONTACT FINISH
MATING SIDE:NICKEL PL.ALL OVER GOLD PL.
CT MATING SIDE:NICKEL PL.ALL OVER MATTE TIN PL.
- APPLIED AC CONTACT P/N

FINISH	AWG	P/N
TIN PL.	#16~20	1-179316-2

FINISH	AWG	P/N
Au PL.	#16~20	179316-4

4. APPLIED GND CONTACT P/N

FINISH	AWG	P/N
TIN PL.	#16~20	1-316458-2

FINISH	AWG	P/N
Au PL.	#16~20	316458-4

- ⚠ AC: POWER CONTACT (UNLOADED)
- ⚠ GND:GROUND CONTACT (UNLOADED)
- ⚠ DC: SIGNAL CONTACT (PRELOADED)

MT. TYPE: 173977-5	CLIMP II TYPE: 173228-5	3-292187-2	48.1	43.5	47.9	50.5	17.9	8	21	4	3	DC5 GND1 AC3	4-292190-2
MT. TYPE: 173977-5	CLIMP II TYPE: 173228-5	1-292187-2	41.1	36.5	40.9	43.5	14.4	8	14	4	2	DC5 GND1 AC2	2-292190-2
APPLIED CT CONN P/N	MATING COUNTER P/N	G	F	E	D	C	B	A	n	N	POS	PART NO.	

THIS DRAWING IS A CONTROLLED DOCUMENT.

DIMENSIONS: MM	TOLERANCES UNLESS OTHERWISE SPECIFIED:
	0 PLC ± -
	1 PLC ± -
	2 PLC ± -
	3 PLC ± -
	4 PLC ± -
ANGLES ± -	

MATERIAL SEE NOTES FINISH SEE NOTES

DWN J.JIANG	05FEB03
CHK S.YAO	05FEB03
APVD T.SASAKI	05FEB03
PRODUCT SPEC	108-60023
APPLICATION SPEC	

tyco Electronics Tyco Electronics Corporation
Shanghai, P.R.China,200233

NAME
HYBRID SF DRAWER CONN. RECEPTACLE

SIZE	CAGE CODE	DRAWING NO	RESTRICTED TO
A3	00779	C-292190	-

CUSTOMER DRAWING SCALE 2:1 SHEET 1 OF 1 REV B